

AQUARISTIK/INDOOR AQUATICS

**ERSATZTEILKATALOG/
SPARE PART CATALOGUE
2016**

Oase:
LIVING WATER



OASE – PASSIONATE ABOUT WATER.





Inhalt/ Contents

INNENFILTER/*INTERNAL FILTERS*

Innenfilter/*Internal filters*

- 4-5 BioCompact
- 6-8 BioPlus/BioPlus Thermo

EXTERNE FILTER/*EXTERNAL FILTERS*

Externe Filter/*External filters*

- 9-15 FiltoSmart/FiltoSmart Thermo
- 16-21 BioMaster/BioMaster Thermo

PUMPEN/*PUMPS*

Aquarium Pumpen/*Aquarium pumps*

- 22-23 OptiMax/Aqua In-Out Set

Luftpumpen/*Air pumps*

- 24 OxyMax

ZUBEHÖR/*ACCESSORIES*

UVC-Klärer/*UVC clarifiers*

- 25 ClearTronic

Regelheizer/*Adjustable heater*

- 26 HeatUp

Bodenheizkabel/*Floor heater cable*

- 27 HeatUp Basis

Thermostat/*Electronic thermostat*

- 28 HeatControl

Futterautomat/*Automatic feeder*

- 29 FishGuard

WISSENSWERTES/*WORTH KNOWING*

- 30-31 Notizen/*Notes*

- 32-33 Reparatur von elektrischen Geräten/
Repair of electrical devices

- 34 OASE Garantie/*OASE Guarantee*

- 35-36 Produktübersicht/*Product overview*

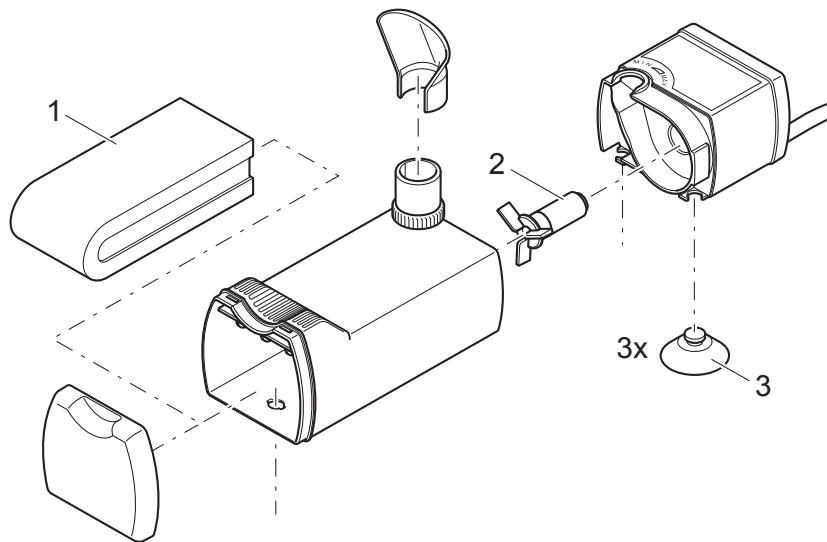
- 37-38 Allgemeine Geschäftsbedingungen/
General terms and conditions

Produkt / Product

42661 BioCompact 25

42678 BioCompact 25

GB



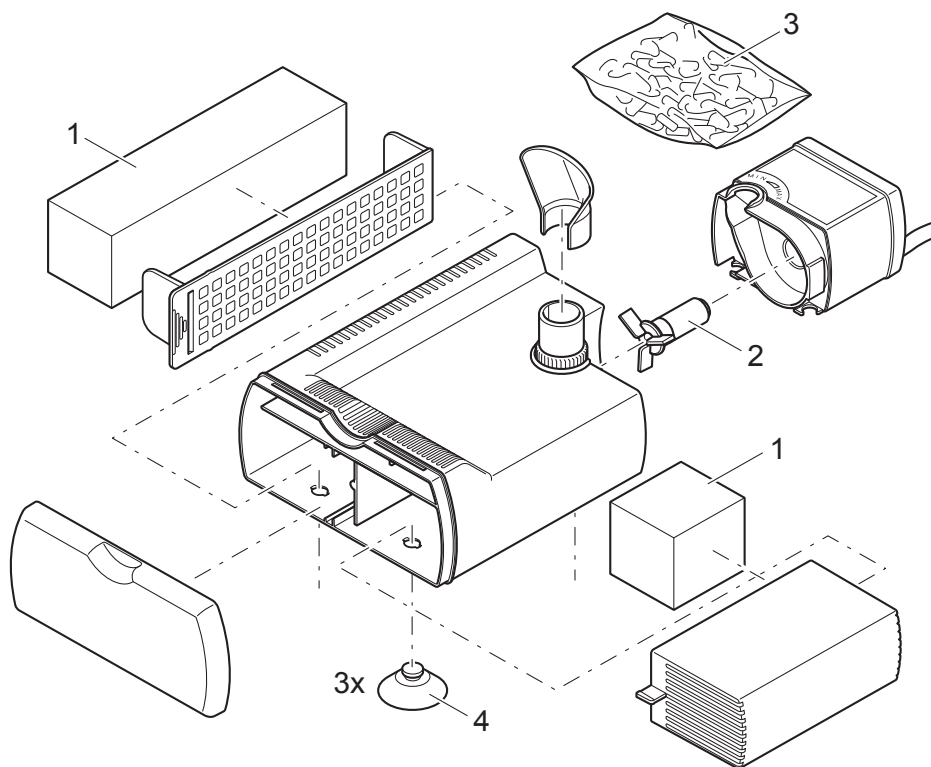
Pos.	Produkt / Product	ArtikelNr. / Item no.	Ersatzteil	Spare part
1	BioCompact 25	45099	Filterschaum Set BioCompact 25	Filter foam set BioCompact 25
2	BioCompact 25	44937	Ersatzrotor 300	Spare rotor 300
3	BioCompact 25	44948	Ersatz Saugnapf D20	Spare suction cup D20

Produkt / Product

42662 BioCompact 50

42679 BioCompact 50

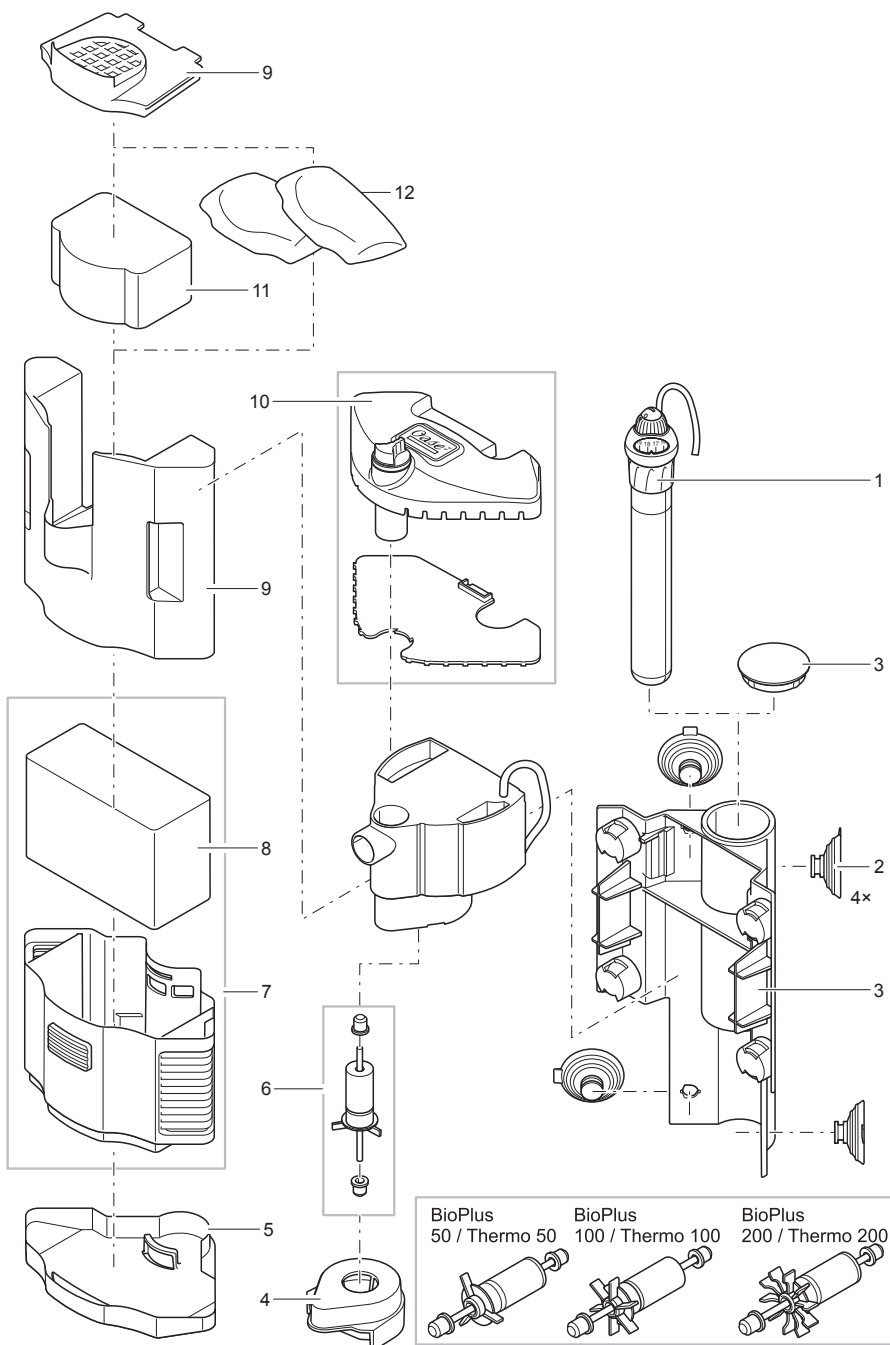
GB



Pos.	Produkt / Product	Artikelnr. / Item no.	Ersatzteil	Spare part
1	BioCompact 50	45100	Filterschaum Set BioCompact 50	Filter foam set BioCompact 50
2	BioCompact 50	44937	Ersatzrotor 300	Spare rotor 300
3	BioCompact 50	45101	Carbon Filtermaterial	Carbon filter media
4	BioCompact 50	44948	Ersatz Saugnapf D20	Spare suction cup D20

Produkt / Product

42233	BioPlus 50	
42234	BioPlus 100	
42235	BioPlus 200	
42236	BioPlus Thermo 50	
42237	BioPlus Thermo 100	
42238	BioPlus Thermo 200	
42239	BioPlus 50	GB
42240	BioPlus 100	GB
42241	BioPlus 200	GB
42242	BioPlus Thermo 50	GB
42243	BioPlus Thermo 100	GB
42244	BioPlus Thermo 200	GB



Pos.	Produkt / Product	Artikelnr. / Item no.	Ersatzteil	Spare part
1	BioPlus Thermo 50	42699	HeatUp 50	HeatUp 50
	BioPlus Thermo 100	42703	HeatUp 100	HeatUp 100
	BioPlus Thermo 200	42708	HeatUp 200	HeatUp 200
	BioPlus Thermo 50	42724	HeatUp 50	HeatUp 50
	BioPlus Thermo 100	42726	HeatUp 100	HeatUp 100
	BioPlus Thermo 200	42728	HeatUp 200	HeatUp 200
2	BioPlus 50 - Thermo 200	44949	Ersatz Saugnapf D30	Spare suction cup D30
3	BioPlus 50	45137	Ersatzset Halter BioPlus 50	Spare set holder BioPlus 50
	BioPlus 100	45138	Ersatzset Halter BioPlus 100	Spare set holder BioPlus 100
	BioPlus 200	45139	Ersatzset Halter BioPlus 200	Spare set holder BioPlus 200
	BioPlus Thermo 50	45137	Ersatzset Halter BioPlus 50	Spare set holder BioPlus 50
	BioPlus Thermo 100	45138	Ersatzset Halter BioPlus 100	Spare set holder BioPlus 100
	BioPlus Thermo 200	45139	Ersatzset Halter BioPlus 200	Spare set holder BioPlus 200
	BioPlus 50	45137	Ersatzset Halter BioPlus 50	Spare set holder BioPlus 50
	BioPlus 100	45138	Ersatzset Halter BioPlus 100	Spare set holder BioPlus 100
	BioPlus 200	45139	Ersatzset Halter BioPlus 200	Spare set holder BioPlus 200
	BioPlus Thermo 50	45137	Ersatzset Halter BioPlus 50	Spare set holder BioPlus 50
	BioPlus Thermo 100	45138	Ersatzset Halter BioPlus 100	Spare set holder BioPlus 100
	BioPlus Thermo 200	45139	Ersatzset Halter BioPlus 200	Spare set holder BioPlus 200
4	BioPlus 50 - Thermo 200	45135	Ersatzteil Pumpendeckel BioPlus	Spare pump cover BioPlus
5	BioPlus 50 - Thermo 200	45142	Ersatz Abdeckung Filtermodul BioPlus	Spare cover filter module BioPlus
6	BioPlus 50	45132	Ersatzrotor BioPlus 50	Spare rotor BioPlus 50
	BioPlus 100	45133	Ersatzrotor BioPlus 100	Spare rotor BioPlus 100
	BioPlus 200	45134	Ersatzrotor BioPlus 200	Spare rotor BioPlus 200
	BioPlus Thermo 50	45132	Ersatzrotor BioPlus 50	Spare rotor BioPlus 50
	BioPlus Thermo 100	45133	Ersatzrotor BioPlus 100	Spare rotor BioPlus 100
	BioPlus Thermo 200	45134	Ersatzrotor BioPlus 200	Spare rotor BioPlus 200
	BioPlus 50	45132	Ersatzrotor BioPlus 50	Spare rotor BioPlus 50
	BioPlus 100	45133	Ersatzrotor BioPlus 100	Spare rotor BioPlus 100
	BioPlus 200	45134	Ersatzrotor BioPlus 200	Spare rotor BioPlus 200
	BioPlus Thermo 50	45132	Ersatzrotor BioPlus 50	Spare rotor BioPlus 50
	BioPlus Thermo 100	45133	Ersatzrotor BioPlus 100	Spare rotor BioPlus 100
	BioPlus Thermo 200	45134	Ersatzrotor BioPlus 200	Spare rotor BioPlus 200
7	BioPlus 50 - Thermo 200	45141	Ersatzset Filtermodul BioPlus	Spare set filter module BioPlus
8	BioPlus 50 - Thermo 200	45263	Schaum BioPlus 20ppi blau	Foam BioPlus 20ppi blue
9	BioPlus 50 - Thermo 200	45140	Ersatzset Abdeckung BioPlus	Spare set cover BioPlus
10	BioPlus 50 - Thermo 200	45136	Ersatz Spraybar BioPlus	Spare part spray bar BioPlus

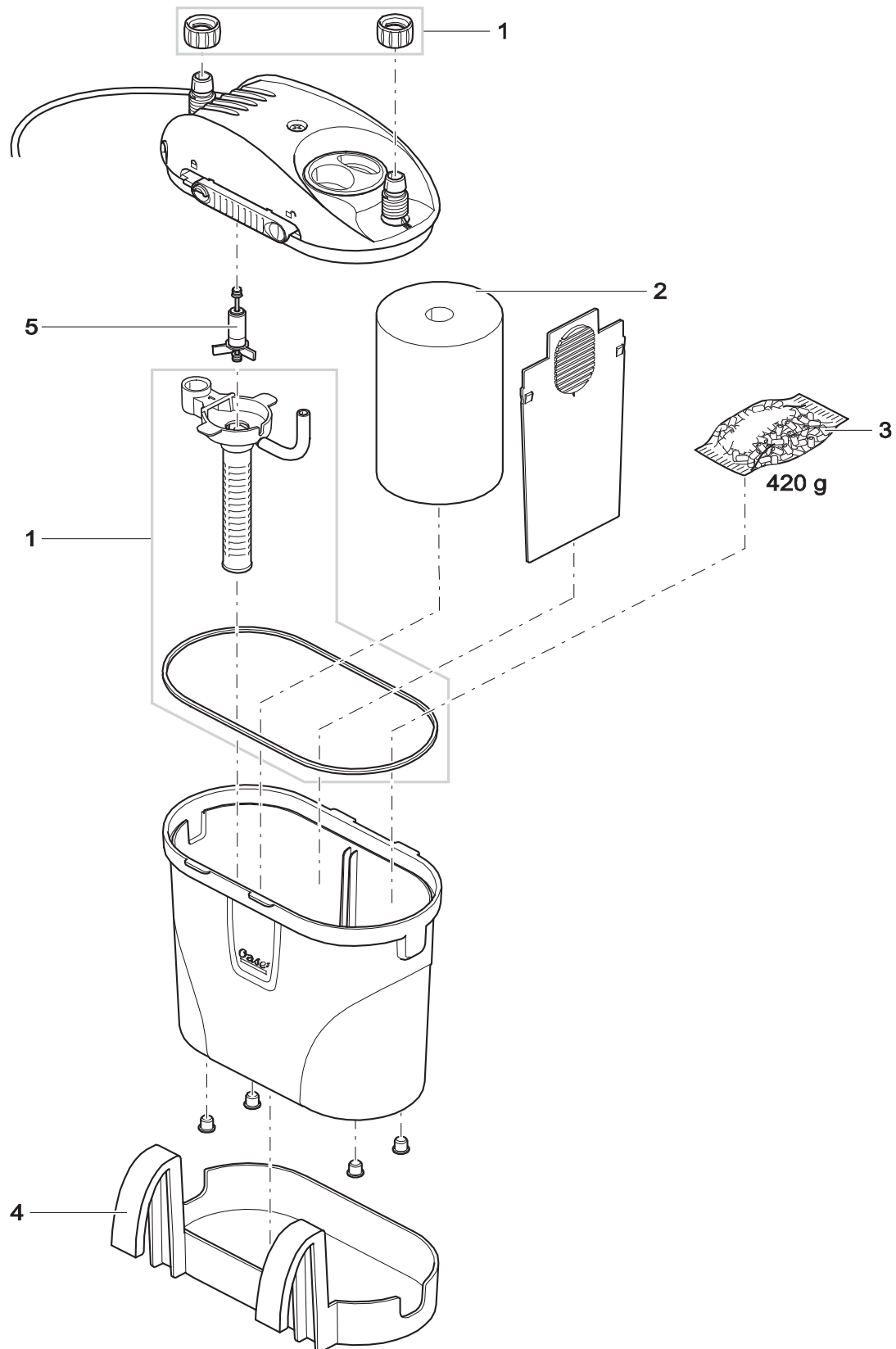
Pos.	Produkt / Product	Artikelnr. / Item no.	Ersatzteil	Spare part
11	BioPlus 50	45264	Filtervlies Set BioPlus weiß	Filter fleece set BioPlus white
	BioPlus 50	46656	Filterschaum BioPlus 30 ppi	Filter foam BioPlus 30 ppi
	BioPlus 100	45264	Filtervlies Set BioPlus weiß	Filter fleece set BioPlus white
	BioPlus 100	46656	Filterschaum BioPlus 30 ppi	Filter foam BioPlus 30 ppi
	BioPlus 200	45264	Filtervlies Set BioPlus weiß	Filter fleece set BioPlus white
	BioPlus 200	46656	Filterschaum BioPlus 30 ppi	Filter foam BioPlus 30 ppi
	BioPlus Thermo 50	45264	Filtervlies Set BioPlus weiß	Filter fleece set BioPlus white
	BioPlus Thermo 50	46656	Filterschaum BioPlus 30 ppi	Filter foam BioPlus 30 ppi
	BioPlus Thermo 100	45264	Filtervlies Set BioPlus weiß	Filter fleece set BioPlus white
	BioPlus Thermo 100	46656	Filterschaum BioPlus 30 ppi	Filter foam BioPlus 30 ppi
	BioPlus Thermo 200	45264	Filtervlies Set BioPlus weiß	Filter fleece set BioPlus white
	BioPlus Thermo 200	46656	Filterschaum BioPlus 30 ppi	Filter foam BioPlus 30 ppi
	BioPlus 50	45264	Filtervlies Set BioPlus weiß	Filter fleece set BioPlus white
	BioPlus 50	46656	Filterschaum BioPlus 30 ppi	Filter foam BioPlus 30 ppi
	BioPlus 100	45264	Filtervlies Set BioPlus weiß	Filter fleece set BioPlus white
	BioPlus 100	46656	Filterschaum BioPlus 30 ppi	Filter foam BioPlus 30 ppi
	BioPlus 200	45264	Filtervlies Set BioPlus weiß	Filter fleece set BioPlus white
	BioPlus 200	46656	Filterschaum BioPlus 30 ppi	Filter foam BioPlus 30 ppi
	BioPlus Thermo 50	45264	Filtervlies Set BioPlus weiß	Filter fleece set BioPlus white
	BioPlus Thermo 50	46656	Filterschaum BioPlus 30 ppi	Filter foam BioPlus 30 ppi
	BioPlus Thermo 100	45264	Filtervlies Set BioPlus weiß	Filter fleece set BioPlus white
	BioPlus Thermo 100	46656	Filterschaum BioPlus 30 ppi	Filter foam BioPlus 30 ppi
	BioPlus Thermo 200	45264	Filtervlies Set BioPlus weiß	Filter fleece set BioPlus white
	BioPlus Thermo 200	46656	Filterschaum BioPlus 30 ppi	Filter foam BioPlus 30 ppi

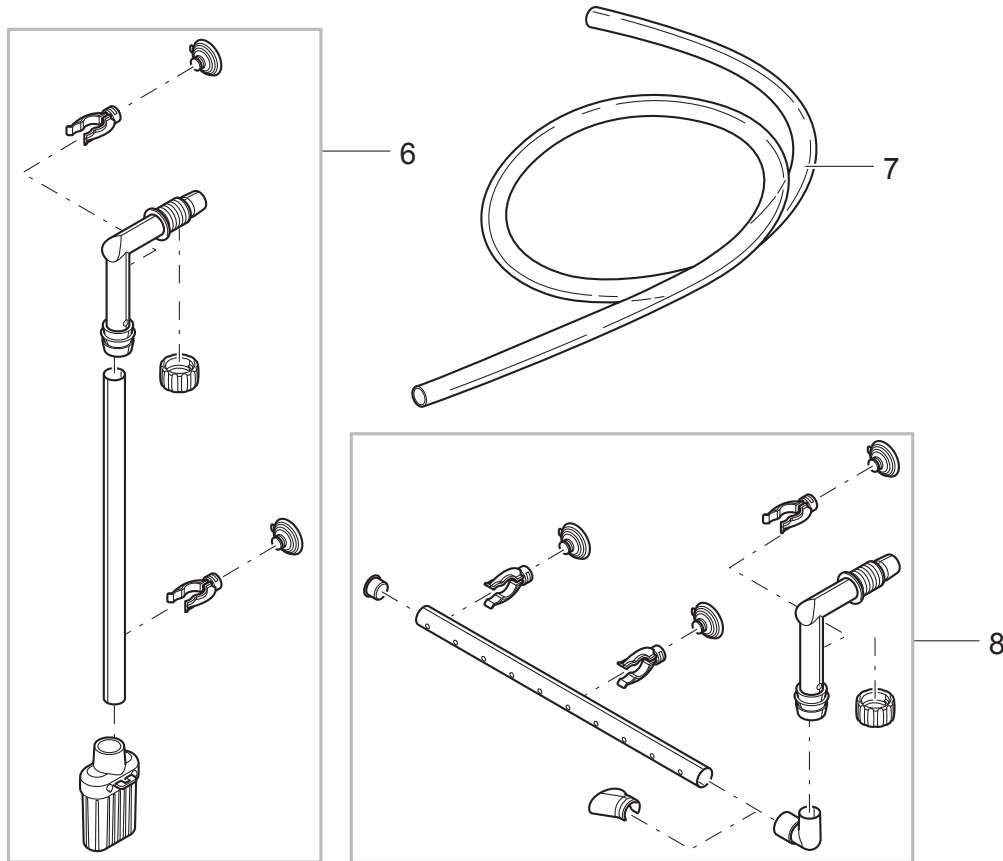
Produkt / Product

42663 FiltoSmart 60

42680 FiltoSmart 60

GB

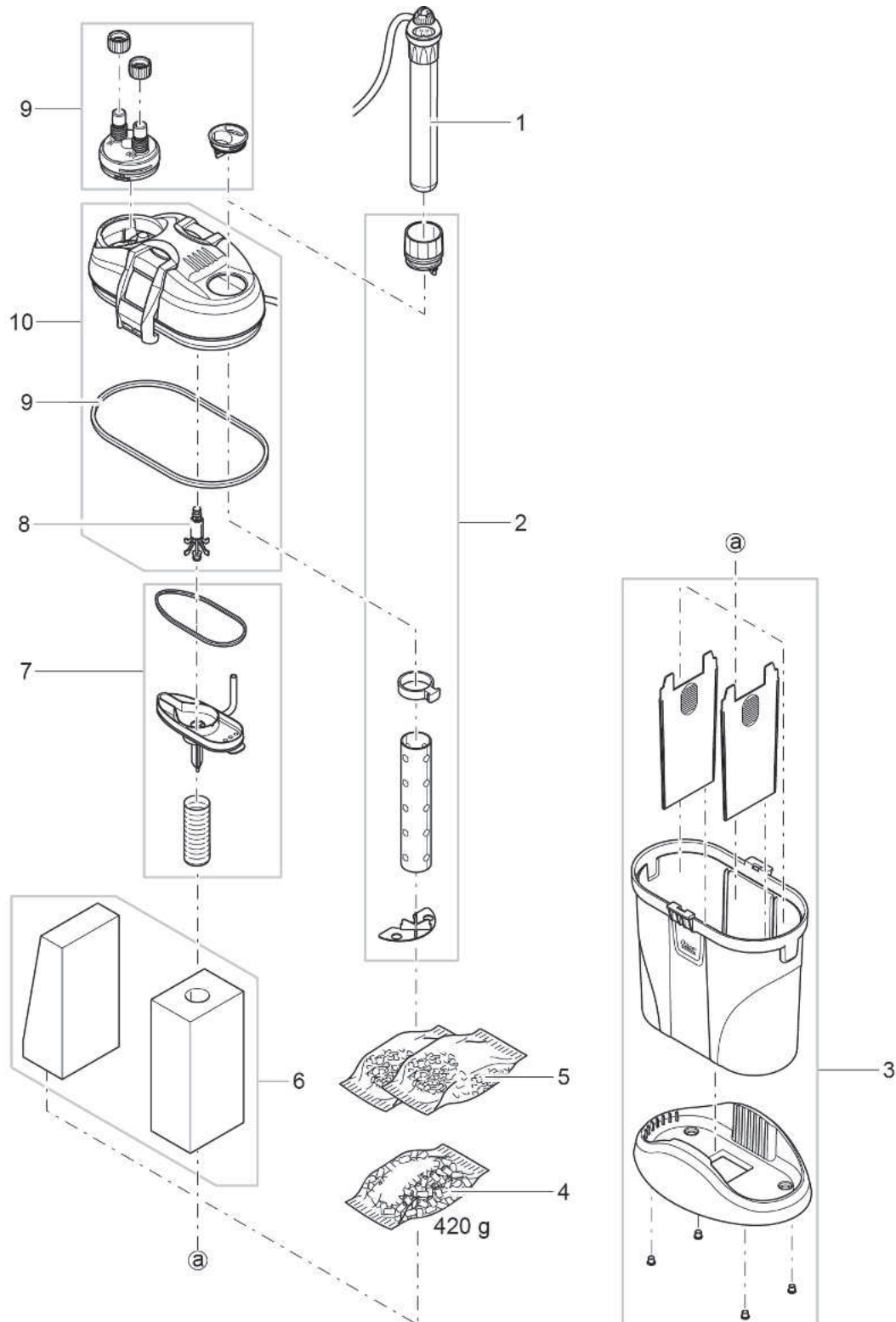


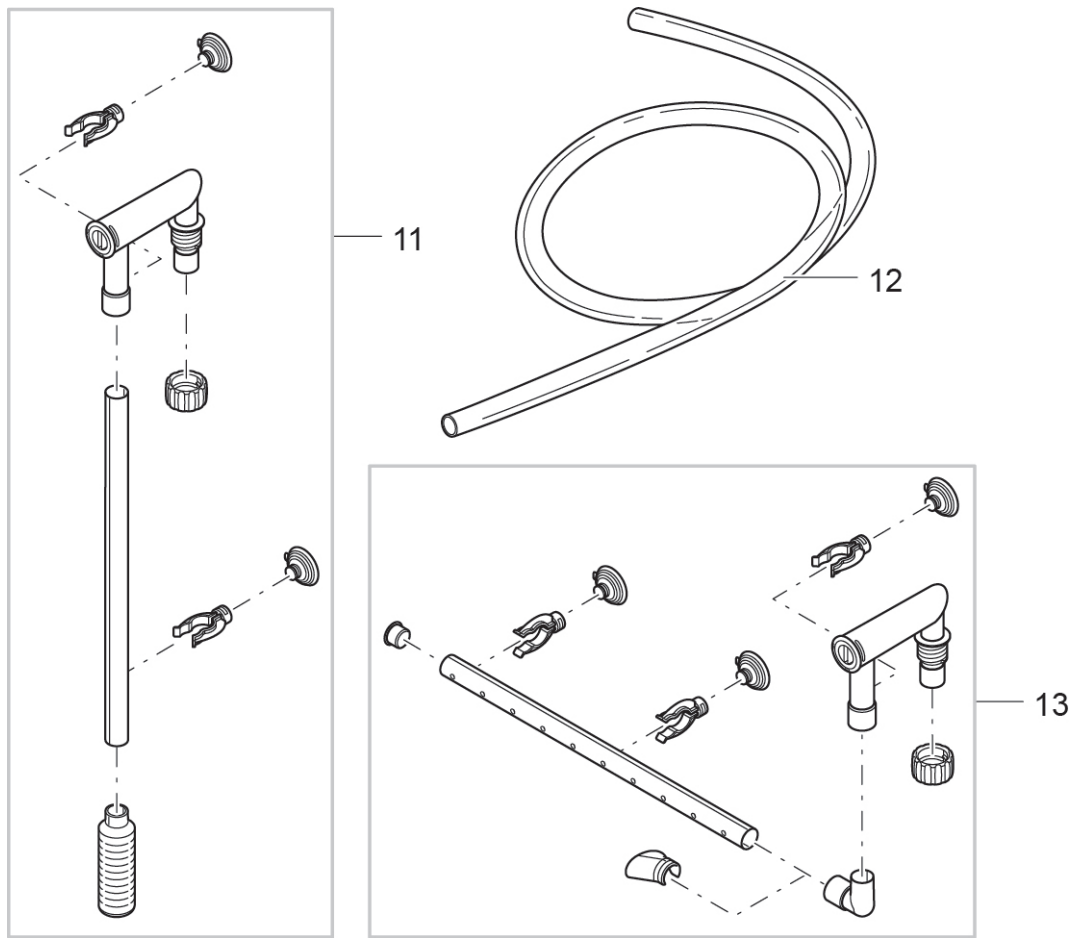


Pos.	Produkt / Product	Artikelnr. / Item no.	Ersatzteil	Spare part
1	FiltoSmart 60	45361	Ersatz Zubehör-Set FiltoSmart 60	Repl. set accessories FiltoSmart 60
2	FiltoSmart 60	45102	Filterschaum Set FiltoSmart 60	Filter foam set FiltoSmart 60
3	FiltoSmart 60	45103	Keramik Filtermaterial	Ceramic filter media
4	FiltoSmart 60	45051	Halterung FiltoSmart 60	Bracket FiltoSmart 60
5	FiltoSmart 60	45345	Ersatzrotor FiltoSmart 60	Spare rotor FiltoSmart 60
6	FiltoSmart 60	45360	Ersatz Ansaug-Set FiltoSmart 60	Repl. suction-Set FiltoSmart 60
7	FiltoSmart 60	46493	Ersatzschlauch 8 x 12, 1 m	Spare hose 8 x 12, 1 m
8	FiltoSmart 60	45350	Ersatz Spraybar-Set FiltoSmart 60	Repl. Spraybar-Set FiltoSmart 60

Produkt / Product

- 42664 FiltoSmart 100
- 42667 FiltoSmart Thermo 100
- 42681 FiltoSmart 100 GB
- 42684 FiltoSmart Thermo 100 GB

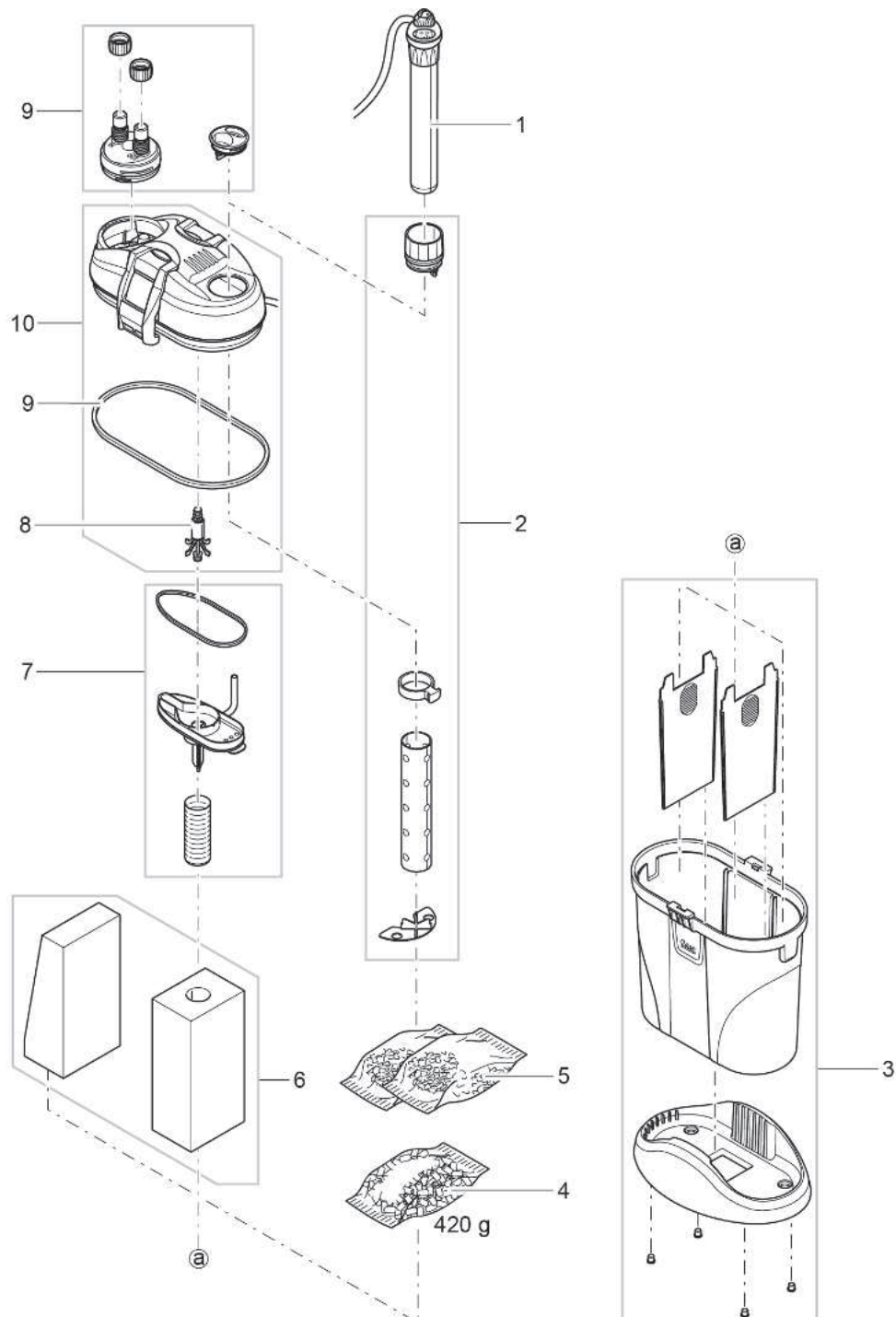


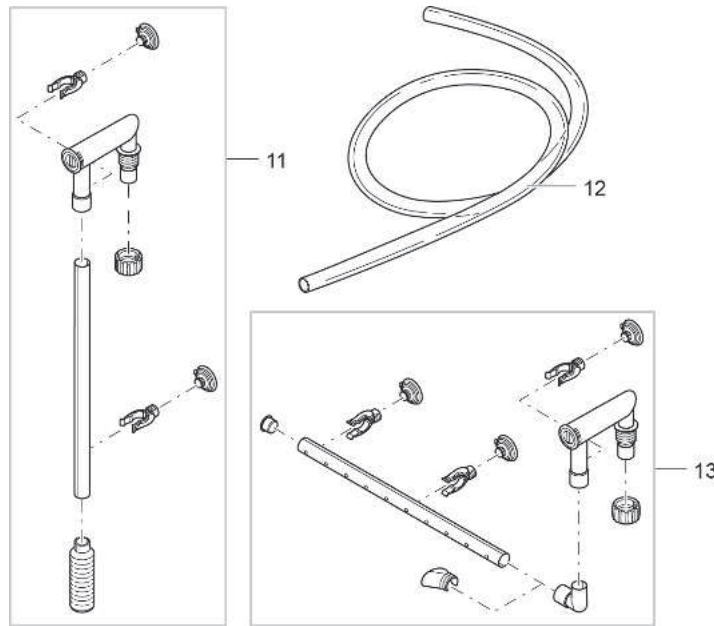


Pos.	Produkt / Product	Artikelnr. / Item no.	Ersatzteil	Spare part
1	FiltoSmart Thermo 100	42703	HeatUp 100	HeatUp 100
	FiltoSmart Thermo 100	42726	HeatUp 100	HeatUp 100
2	FiltoSmart 100 - Thermo 100	45047	ThermoFit FiltoSmart 100	ThermoFit FiltoSmart 100
3	FiltoSmart 100 - Thermo 100	45353	Ersatz Filterbehälter FiltoSmart 100	Spare container FiltoSmart 100
4	FiltoSmart 100 - Thermo 100	45103	Keramik Filtermaterial	Ceramic filter media
5	FiltoSmart 100 - Thermo 100	45101	Carbon Filtermaterial	Carbon filter media
6	FiltoSmart 100 - Thermo 100	45104	Filterschaum Set FiltoSmart 100	Filter foam set FiltoSmart 100
7	FiltoSmart 100 - Thermo 100	45356	Ersatz Pumpengehäuse FiltoSmart 100	Spare pump housing FiltoSmart 100
8	FiltoSmart 100 - Thermo 100	45346	Ersatzrotor FiltoSmart 100	Spare rotor FiltoSmart 100
9	FiltoSmart 100 - Thermo 100	45358	Ersatz Zubehörset FiltoSmart 100	Spare accessory set FiltoSmart 100
10	FiltoSmart 100 - Thermo 100	46528	Ersatz Filterkopf FiltoSmart 100	Replacement filter head FiltoSmart 100
11	FiltoSmart 100 - Thermo 100	45362	Ersatz Ansaug-Set FiltoSmart 100	Repl. Suction-Set FiltoSmart 100
12	FiltoSmart 100 - Thermo 100	46494	Ersatzschlauch 12 x 16, 2,5 m	Spare hose 12 x 16, 2,5 m
13	FiltoSmart 100 - Thermo 100	45351	Ersatz Spraybar-Set FiltoSmart 100	Repl. Spraybar-Set FiltoSmart 100

Produkt / Product

42665	FiltoSmart 200	
42666	FiltoSmart 300	
42668	FiltoSmart Thermo 200	
42669	FiltoSmart Thermo 300	
42682	FiltoSmart 200	GB
42683	FiltoSmart 300	GB
42695	FiltoSmart Thermo 200	GB
42697	FiltoSmart Thermo 300	GB



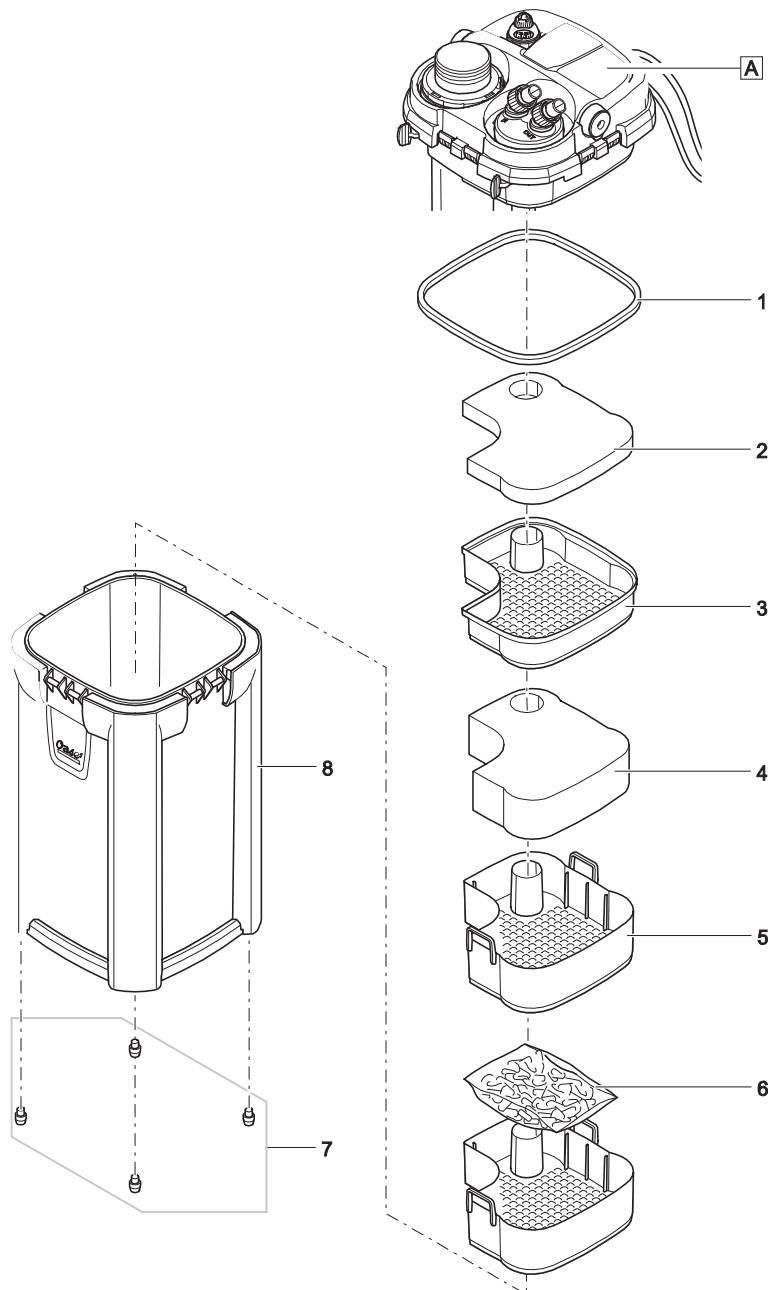


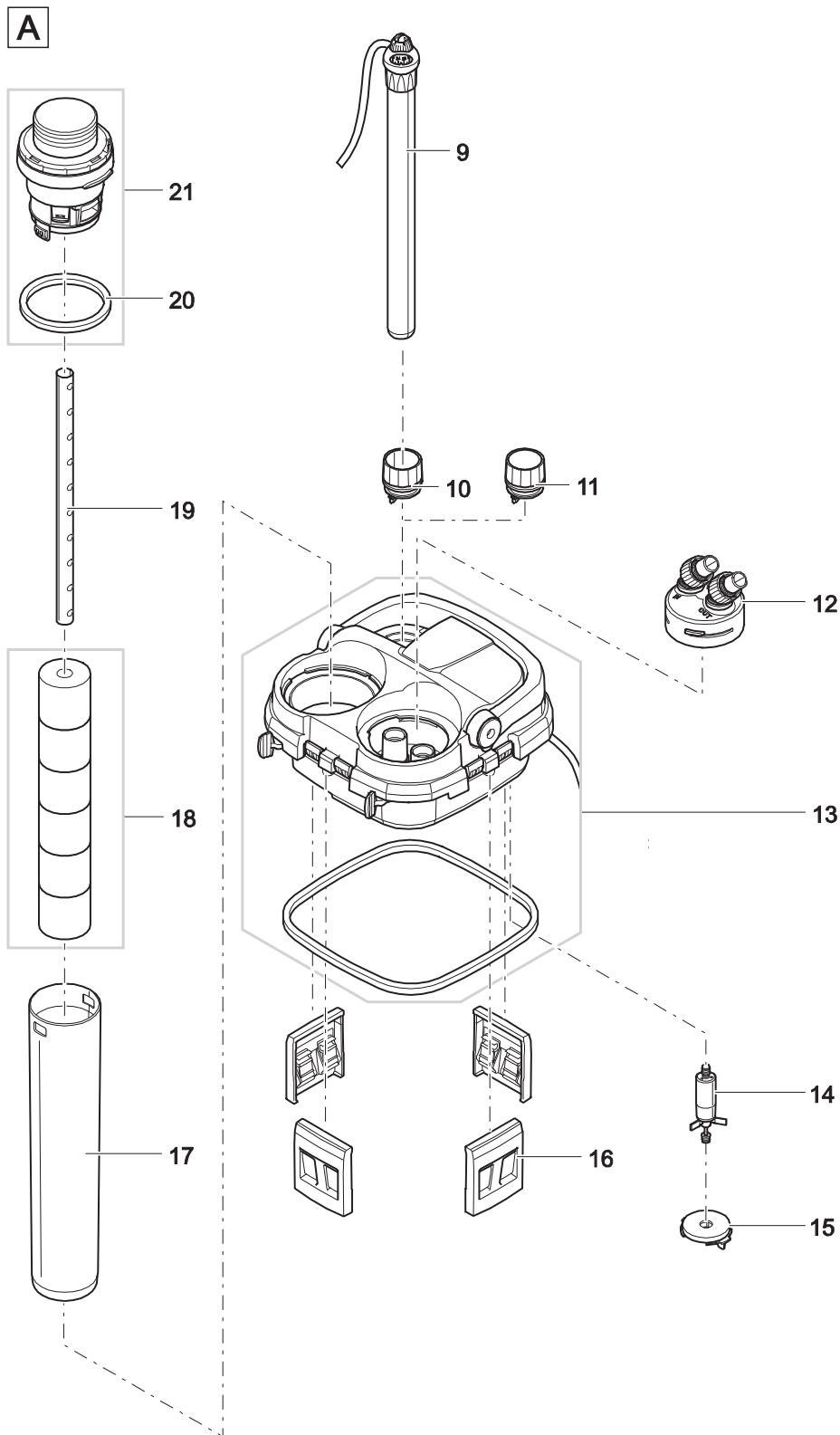
Pos.	Produkt / Product	Artikelnr. / Item no.	Ersatzteil	Spare part
1	FiltoSmart Thermo 200	42708	HeatUp 200	HeatUp 200
	FiltoSmart Thermo 300	42713	HeatUp 300	HeatUp 300
	FiltoSmart Thermo 200	42728	HeatUp 200	HeatUp 200
	FiltoSmart Thermo 300	42730	HeatUp 300	HeatUp 300
2	FiltoSmart 200	45048	ThermoFit FiltoSmart 200	ThermoFit FiltoSmart 200
	FiltoSmart 300	45050	ThermoFit FiltoSmart 300	ThermoFit FiltoSmart 300
	FiltoSmart Thermo 200	45048	ThermoFit FiltoSmart 200	ThermoFit FiltoSmart 200
	FiltoSmart Thermo 300	45050	ThermoFit FiltoSmart 300	ThermoFit FiltoSmart 300
	FiltoSmart 200	45048	ThermoFit FiltoSmart 200	ThermoFit FiltoSmart 200
	FiltoSmart 300	45050	ThermoFit FiltoSmart 300	ThermoFit FiltoSmart 300
	FiltoSmart Thermo 200	45048	ThermoFit FiltoSmart 200	ThermoFit FiltoSmart 200
	FiltoSmart Thermo 300	45050	ThermoFit FiltoSmart 300	ThermoFit FiltoSmart 300
3	FiltoSmart 200	45354	Ersatz Filterbehälter FiltoSmart 200	Spare container FiltoSmart 200
	FiltoSmart 300	45355	Ersatz Filterbehälter FiltoSmart 300	Spare container FiltoSmart 300
	FiltoSmart Thermo 200	45354	Ersatz Filterbehälter FiltoSmart 200	Spare container FiltoSmart 200
	FiltoSmart Thermo 300	45355	Ersatz Filterbehälter FiltoSmart 300	Spare container FiltoSmart 300
	FiltoSmart 200	45354	Ersatz Filterbehälter FiltoSmart 200	Spare container FiltoSmart 200
	FiltoSmart 300	45355	Ersatz Filterbehälter FiltoSmart 300	Spare container FiltoSmart 300
	FiltoSmart Thermo 200	45354	Ersatz Filterbehälter FiltoSmart 200	Spare container FiltoSmart 200
	FiltoSmart Thermo 300	45355	Ersatz Filterbehälter FiltoSmart 300	Spare container FiltoSmart 300
4	FiltoSmart 200 - Thermo 300	45103	Keramik Filtermaterial	Ceramic filter media
5	FiltoSmart 200 - Thermo 300	45101	Carbon Filtermaterial	Carbon filter media
6	FiltoSmart 200	45105	Filterschaum Set FiltoSmart 200	Filter foam set FiltoSmart 200
	FiltoSmart Thermo 200	45105	Filterschaum Set FiltoSmart 200	Filter foam set FiltoSmart 200
	FiltoSmart 200	45105	Filterschaum Set FiltoSmart 200	Filter foam set FiltoSmart 200
	FiltoSmart Thermo 200	45105	Filterschaum Set FiltoSmart 200	Filter foam set FiltoSmart 200
	FiltoSmart 300	45106	Filterschaum Set FiltoSmart 300	Filter foam set FiltoSmart 300
	FiltoSmart Thermo 300	45106	Filterschaum Set FiltoSmart 300	Filter foam set FiltoSmart 300
	FiltoSmart 300	45106	Filterschaum Set FiltoSmart 300	Filter foam set FiltoSmart 300
	FiltoSmart Thermo 300	45106	Filterschaum Set FiltoSmart 300	Filter foam set FiltoSmart 300

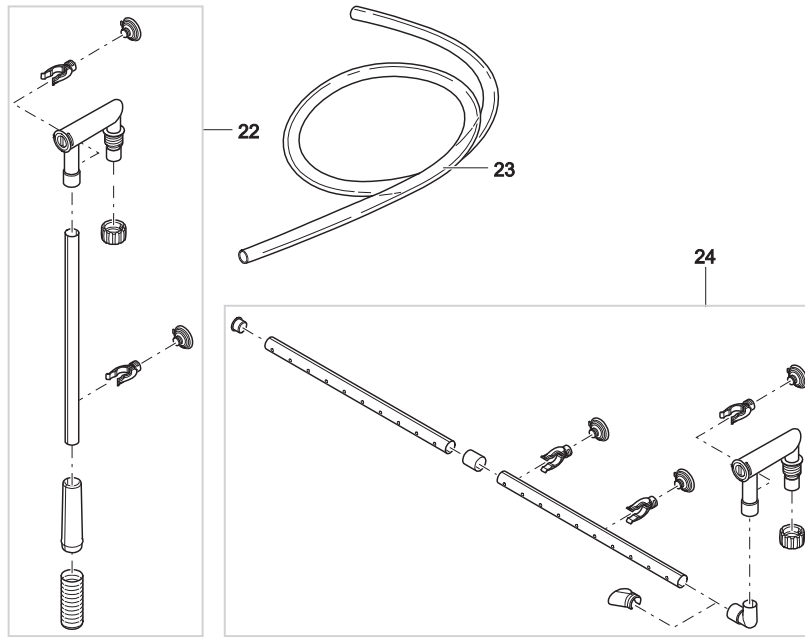
Pos.	Produkt / Product	Artikelnr. / Item no.	Ersatzteil	Spare part
7	FiltoSmart 200 - Thermo 300	45357	Ersatz Pumpengehäuse FiltoSmart 200/300	<i>Spare pump housing FiltoSmart 200/300</i>
8	FiltoSmart 200	45347	Ersatzrotor FiltoSmart 200	<i>Spare rotor FiltoSmart 200</i>
	FiltoSmart 300	45348	Ersatzrotor FiltoSmart 300	<i>Spare rotor FiltoSmart 300</i>
	FiltoSmart Thermo 200	45347	Ersatzrotor FiltoSmart 200	<i>Spare rotor FiltoSmart 200</i>
	FiltoSmart Thermo 300	45348	Ersatzrotor FiltoSmart 300	<i>Spare rotor FiltoSmart 300</i>
	FiltoSmart 200	45347	Ersatzrotor FiltoSmart 200	<i>Spare rotor FiltoSmart 200</i>
	FiltoSmart 300	45348	Ersatzrotor FiltoSmart 300	<i>Spare rotor FiltoSmart 300</i>
	FiltoSmart Thermo 200	45347	Ersatzrotor FiltoSmart 200	<i>Spare rotor FiltoSmart 200</i>
	FiltoSmart Thermo 300	45348	Ersatzrotor FiltoSmart 300	<i>Spare rotor FiltoSmart 300</i>
9	FiltoSmart 200 - Thermo 300	45359	Ersatz Zubehörset FiltoSmart 200/300	<i>Spare accessory set FiltoSmart 200/300</i>
10	FiltoSmart 200	46529	Ersatz Filterkopf FiltoSmart 200	<i>Replacement filter head FiltoSmart 200</i>
	FiltoSmart 300	46530	Ersatz Filterkopf FiltoSmart 300	<i>Replacement filter head FiltoSmart 300</i>
	FiltoSmart Thermo 200	46529	Ersatz Filterkopf FiltoSmart 200	<i>Replacement filter head FiltoSmart 200</i>
	FiltoSmart Thermo 300	46530	Ersatz Filterkopf FiltoSmart 300	<i>Replacement filter head FiltoSmart 300</i>
	FiltoSmart 200	46529	Ersatz Filterkopf FiltoSmart 200	<i>Replacement filter head FiltoSmart 200</i>
	FiltoSmart 300	46530	Ersatz Filterkopf FiltoSmart 300	<i>Replacement filter head FiltoSmart 300</i>
	FiltoSmart Thermo 200	46529	Ersatz Filterkopf FiltoSmart 200	<i>Replacement filter head FiltoSmart 200</i>
	FiltoSmart Thermo 300	46530	Ersatz Filterkopf FiltoSmart 300	<i>Replacement filter head FiltoSmart 300</i>
11	FiltoSmart 200 - Thermo 300	46527	Ersatz Ansaug-Set Außenfilter	<i>Repl. Suction-Set External Filter</i>
12	FiltoSmart 200 - Thermo 300	46495	Ersatzschlauch 16 x 22, 2,5 m	<i>Spare hose 16 x 22, 2.5 m</i>
13	FiltoSmart 200 - Thermo 300	45352	Ersatz Spraybar Außenfilter	<i>Repl. Spraybar External Filter</i>

Produkt / Product

42733	BioMaster 250	
42734	BioMaster 350	
42735	BioMaster 600	
42737	BioMaster Thermo 250	
42738	BioMaster Thermo 350	
42739	BioMaster Thermo 600	
42741	BioMaster 250	GB
42742	BioMaster 350	GB
42743	BioMaster 600	GB
42745	BioMaster Thermo 250	GB
42746	BioMaster Thermo 350	GB
42747	BioMaster Thermo 600	GB







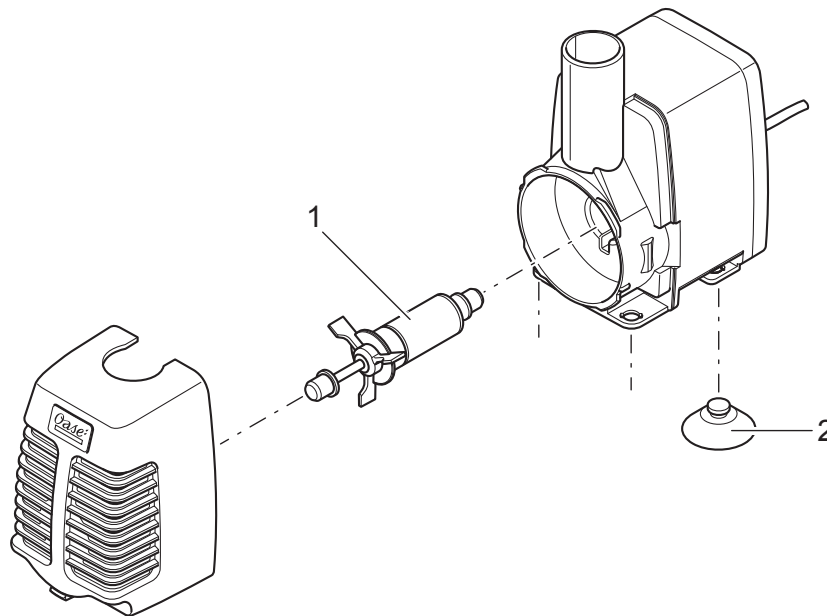
Pos.	Produkt / Product	Artikelnr. / Item no.	Ersatzteil	Spare part
1	BioMaster 250 - Thermo 600	45148	Ersatzdichtung BioMaster	Spare part main gasket BioMaster
2	BioMaster 250 - Thermo 600	45270	Schaum BioMaster 30ppi orange	Foam BioMaster 30ppi orange
3	BioMaster 250 - Thermo 600	45172	Ersatz Korbabdeckung BioMaster	Spare part basket cover BioMaster
4	BioMaster 250 - Thermo 600	45269	Schaum BioMaster 20ppi blau	Foam BioMaster 20ppi blue
5	BioMaster 250 - Thermo 600	45171	Ersatz Filterkorb BioMaster	Spare part basket BioMaster
6	BioMaster 250 - Thermo 600	45271	Hel-X 13 BioMedium 800 ml	Hel-X 13 Biomedica 800 ml
7	BioMaster 250 - Thermo 600	45170	Ersatzset Gummifuß BioMaster	Spare part set rubber feet BioMaster
8	BioMaster 250	45159	Ersatzbehälter BioMaster 250	Spare part container BioMaster 250
	BioMaster 350	45160	Ersatzbehälter BioMaster 350	Spare part container BioMaster 350
	BioMaster 600	45161	Ersatzbehälter BioMaster 600	Spare part container BioMaster 600
	BioMaster Thermo 250	45159	Ersatzbehälter BioMaster 250	Spare part container BioMaster 250
	BioMaster Thermo 350	45160	Ersatzbehälter BioMaster 350	Spare part container BioMaster 350
	BioMaster Thermo 600	45161	Ersatzbehälter BioMaster 600	Spare part container BioMaster 600
	BioMaster 250	45159	Ersatzbehälter BioMaster 250	Spare part container BioMaster 250
	BioMaster 350	45160	Ersatzbehälter BioMaster 350	Spare part container BioMaster 350
	BioMaster 600	45161	Ersatzbehälter BioMaster 600	Spare part container BioMaster 600
	BioMaster Thermo 250	45159	Ersatzbehälter BioMaster 250	Spare part container BioMaster 250
	BioMaster Thermo 350	45160	Ersatzbehälter BioMaster 350	Spare part container BioMaster 350
	BioMaster Thermo 600	45161	Ersatzbehälter BioMaster 600	Spare part container BioMaster 600
9	BioMaster Thermo 250	42705	HeatUp 150	HeatUp 150
	BioMaster Thermo 350	42708	HeatUp 200	HeatUp 200
	BioMaster Thermo 600	42713	HeatUp 300	HeatUp 300
	BioMaster Thermo 250	42727	HeatUp 150	HeatUp 150
	BioMaster Thermo 350	42728	HeatUp 200	HeatUp 200
	BioMaster Thermo 600	42730	HeatUp 300	HeatUp 300
10	BioMaster 250 - Thermo 600	46206	Ersatz BG Heizer Adapter	Replacement heater adapter
11	BioMaster 250 - Thermo 600	45156	Ersatz BG Verschlussstopfen BioMaster	Spare part heater plug BioMaster

Pos.	Produkt / Product	Artikelnr. / Item no.	Ersatzteil	Spare part
12	BioMaster 250 - Thermo 600	45157	Ersatz Schlauchadapter BioMaster	<i>Spare part hose adapter BioMaster</i>
13	BioMaster 250	45150	Ersatz Filterkopf BioMaster 250	<i>Spare part filter head BioMaster 250</i>
	BioMaster 350	45151	Ersatz Filterkopf BioMaster 350	<i>Spare part filter head BioMaster 350</i>
	BioMaster 600	45152	Ersatz Filterkopf BioMaster 600	<i>Spare part filter head BioMaster 600</i>
	BioMaster Thermo 250	45150	Ersatz Filterkopf BioMaster 250	<i>Spare part filter head BioMaster 250</i>
	BioMaster Thermo 350	45151	Ersatz Filterkopf BioMaster 350	<i>Spare part filter head BioMaster 350</i>
	BioMaster Thermo 600	45152	Ersatz Filterkopf BioMaster 600	<i>Spare part filter head BioMaster 600</i>
	BioMaster 250	45153	Ersatz Filterkopf BioMaster 250	<i>Spare part filter head BioMaster 250</i>
	BioMaster 350	45154	Ersatz Filterkopf BioMaster 350	<i>Spare part filter head BioMaster 350</i>
	BioMaster 600	45155	Ersatz Filterkopf BioMaster 600	<i>Spare part filter head BioMaster 600</i>
	BioMaster Thermo 250	45153	Ersatz Filterkopf BioMaster 250	<i>Spare part filter head BioMaster 250</i>
	BioMaster Thermo 350	45154	Ersatz Filterkopf BioMaster 350	<i>Spare part filter head BioMaster 350</i>
	BioMaster Thermo 600	45155	Ersatz Filterkopf BioMaster 600	<i>Spare part filter head BioMaster 600</i>
14	BioMaster 250	45144	Ersatzrotor BioMaster 250/350	<i>Spare part rotor BioMaster 250/350</i>
	BioMaster 350	45144	Ersatzrotor BioMaster 250/350	<i>Spare part rotor BioMaster 250/350</i>
	BioMaster 600	45145	Ersatzrotor BioMaster 600	<i>Spare part rotor BioMaster 600</i>
	BioMaster Thermo 250	45144	Ersatzrotor BioMaster 250/350	<i>Spare part rotor BioMaster 250/350</i>
	BioMaster Thermo 350	45144	Ersatzrotor BioMaster 250/350	<i>Spare part rotor BioMaster 250/350</i>
	BioMaster Thermo 600	45145	Ersatzrotor BioMaster 600	<i>Spare part rotor BioMaster 600</i>
	BioMaster 250	45144	Ersatzrotor BioMaster 250/350	<i>Spare part rotor BioMaster 250/350</i>
	BioMaster 350	45144	Ersatzrotor BioMaster 250/350	<i>Spare part rotor BioMaster 250/350</i>
	BioMaster 600	45145	Ersatzrotor BioMaster 600	<i>Spare part rotor BioMaster 600</i>
	BioMaster Thermo 250	45144	Ersatzrotor BioMaster 250/350	<i>Spare part rotor BioMaster 250/350</i>
	BioMaster Thermo 350	45144	Ersatzrotor BioMaster 250/350	<i>Spare part rotor BioMaster 250/350</i>
	BioMaster Thermo 600	45145	Ersatzrotor BioMaster 600	<i>Spare part rotor BioMaster 600</i>
15	BioMaster 250	45146	Ersatz Pumpendeckel BioMaster 250	<i>Spare part pump cover BioMaster 250</i>
	BioMaster 350	45147	Ersatz Pumpendeckel BioMaster 350/600	<i>Spare part pump cover BioMaster 350/600</i>
	BioMaster 600	45147	Ersatz Pumpendeckel BioMaster 350/600	<i>Spare part pump cover BioMaster 350/600</i>
	BioMaster Thermo 250	45146	Ersatz Pumpendeckel BioMaster 250	<i>Spare part pump cover BioMaster 250</i>
	BioMaster Thermo 350	45147	Ersatz Pumpendeckel BioMaster 350/600	<i>Spare part pump cover BioMaster 350/600</i>
	BioMaster Thermo 600	45147	Ersatz Pumpendeckel BioMaster 350/600	<i>Spare part pump cover BioMaster 350/600</i>
	BioMaster 250	45146	Ersatz Pumpendeckel BioMaster 250	<i>Spare part pump cover BioMaster 250</i>
	BioMaster 350	45147	Ersatz Pumpendeckel BioMaster 350/600	<i>Spare part pump cover BioMaster 350/600</i>
	BioMaster 600	45147	Ersatz Pumpendeckel BioMaster 350/600	<i>Spare part pump cover BioMaster 350/600</i>
	BioMaster Thermo 250	45146	Ersatz Pumpendeckel BioMaster 250	<i>Spare part pump cover BioMaster 250</i>
	BioMaster Thermo 350	45147	Ersatz Pumpendeckel BioMaster 350/600	<i>Spare part pump cover BioMaster 350/600</i>
	BioMaster Thermo 600	45147	Ersatz Pumpendeckel BioMaster 350/600	<i>Spare part pump cover BioMaster 350/600</i>
16	BioMaster 250 - Thermo 600	45158	Ersatzset Clip BioMaster	<i>Spare part set clip BioMaster</i>

Pos.	Produkt / Product	Artikelnr. / Item no.	Ersatzteil	Spare part
19	BioMaster 250	45163	Ersatzrohr Vorfilter BioMaster 250	<i>Spare part prefilter tube BioMaster 250</i>
	BioMaster 350	45164	Ersatzrohr Vorfilter BioMaster 350	<i>Spare part prefilter tube BioMaster 350</i>
	BioMaster 600	45166	Ersatzrohr Vorfilter BioMaster 600	<i>Spare part prefilter tube BioMaster 600</i>
	BioMaster Thermo 250	45163	Ersatzrohr Vorfilter BioMaster 250	<i>Spare part prefilter tube BioMaster 250</i>
	BioMaster Thermo 350	45164	Ersatzrohr Vorfilter BioMaster 350	<i>Spare part prefilter tube BioMaster 350</i>
	BioMaster Thermo 600	45166	Ersatzrohr Vorfilter BioMaster 600	<i>Spare part prefilter tube BioMaster 600</i>
	BioMaster 250	45163	Ersatzrohr Vorfilter BioMaster 250	<i>Spare part prefilter tube BioMaster 250</i>
	BioMaster 350	45164	Ersatzrohr Vorfilter BioMaster 350	<i>Spare part prefilter tube BioMaster 350</i>
	BioMaster 600	45166	Ersatzrohr Vorfilter BioMaster 600	<i>Spare part prefilter tube BioMaster 600</i>
	BioMaster Thermo 250	45163	Ersatzrohr Vorfilter BioMaster 250	<i>Spare part prefilter tube BioMaster 250</i>
	BioMaster Thermo 350	45164	Ersatzrohr Vorfilter BioMaster 350	<i>Spare part prefilter tube BioMaster 350</i>
	BioMaster Thermo 600	45166	Ersatzrohr Vorfilter BioMaster 600	<i>Spare part prefilter tube BioMaster 600</i>
20	BioMaster 250 - Thermo 600	45149	Ersatzdichtung Vorfilter BioMaster	<i>Spare part prefilter gasket BioMaster</i>
21	BioMaster 250 - Thermo 600	45162	Ersatzset Priming BioMaster	<i>Spare part priming head BioMaster</i>
22	BioMaster 250 - Thermo 600	46527	Ersatz Ansaug-Set Außenfilter	<i>Repl. Suction-Set External Filter</i>
23	BioMaster 250 - Thermo 600	46496	Ersatzschlauch 16 x 22, 4 m	<i>Spare hose 16 x 22, 4 m</i>
24	BioMaster 250 - Thermo 600	45352	Ersatz Spraybar Außenfilter	<i>Repl. Spraybar External Filter</i>

Produkt / Product

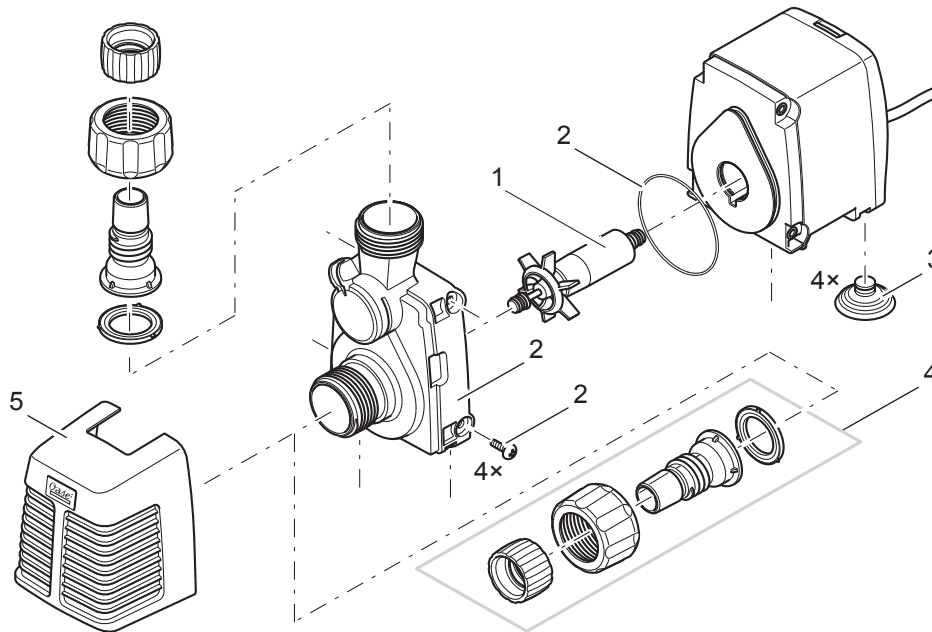
42653	OptiMax 300	
42654	OptiMax 500	
42655	OptiMax 800	
42656	OptiMax 1000	
42722	Aqua In-Out Set 800	
42670	OptiMax 300	GB
42671	OptiMax 500	GB
42672	OptiMax 800	GB
42673	OptiMax 1000	GB



Pos.	Produkt / Product	Artikelnr. / Item no.	Ersatzteil	Spare part
1	OptiMax 300	44937	Ersatzrotor 300	Spare rotor 300
	OptiMax 500	44938	Ersatzrotor 500	Spare rotor 500
	OptiMax 800	44939	Ersatzrotor 800	Spare rotor 800
	OptiMax 1000	44940	Ersatzrotor 1000	Spare rotor 1000
	Aqua In-Out Set 800	44939	Ersatzrotor 800	Spare rotor 800
	OptiMax 300	44937	Ersatzrotor 300	Spare rotor 300
	OptiMax 500	44938	Ersatzrotor 500	Spare rotor 500
	OptiMax 800	44939	Ersatzrotor 800	Spare rotor 800
	OptiMax 1000	44940	Ersatzrotor 1000	Spare rotor 1000
2	OptiMax 300 - 1000, Aqua In-Out Set 800	44948	Ersatz Saugnapf D20	Spare suction cup D20

Produkt / Product

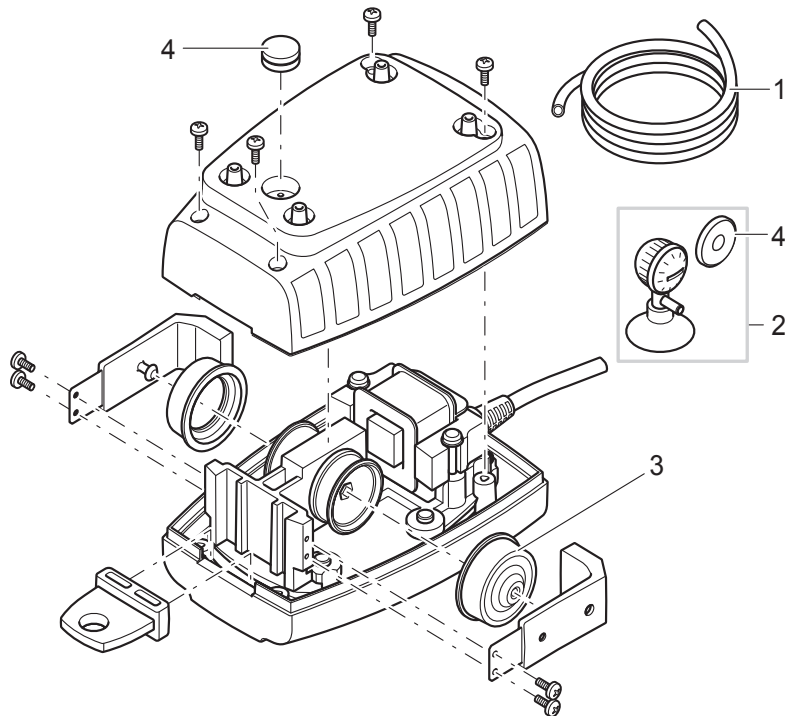
42657	OptiMax 2000	
42658	OptiMax 3000	
42659	OptiMax 4000	
42660	OptiMax 5000	
42674	OptiMax 2000	GB
42675	OptiMax 3000	GB
42676	OptiMax 4000	GB
42677	OptiMax 5000	GB



Pos.	Produkt / Product	Artikelnr. / Item no.	Ersatzteil	Spare part
1	OptiMax 2000	37949	Ersatzrotor 2000	Spare rotor 2000
	OptiMax 3000	37950	Ersatzrotor 3000	Spare rotor 3000
	OptiMax 4000	44941	Ersatzrotor 4000	Spare rotor 4000
	OptiMax 5000	37951	Ersatzrotor 5000	Spare rotor 5000
	OptiMax 2000	37949	Ersatzrotor 2000	Spare rotor 2000
	OptiMax 3000	37950	Ersatzrotor 3000	Spare rotor 3000
	OptiMax 4000	44941	Ersatzrotor 4000	Spare rotor 4000
	OptiMax 5000	37951	Ersatzrotor 5000	Spare rotor 5000
2	OptiMax 2000	44942	Ersatz Pumpendeckel 2000	Spare pump cover 2000
	OptiMax 3000	44943	Ersatz Pumpendeckel 3000	Spare pump cover 3000
	OptiMax 4000	44944	Ersatz Pumpendeckel 4000	Spare pump cover 4000
	OptiMax 5000	44945	Ersatz Pumpendeckel 5000	Spare pump cover 5000
	OptiMax 2000	44942	Ersatz Pumpendeckel 2000	Spare pump cover 2000
	OptiMax 3000	44943	Ersatz Pumpendeckel 3000	Spare pump cover 3000
	OptiMax 4000	44944	Ersatz Pumpendeckel 4000	Spare pump cover 4000
	OptiMax 5000	44945	Ersatz Pumpendeckel 5000	Spare pump cover 5000
3	OptiMax 2000 - 5000	44949	Ersatz Saugnapf D30	Spare suction cup D30
4	OptiMax 2000 - 5000	44947	Tülle 1" - 17 mm	Hose connector 1" - 17 mm
5	OptiMax 2000 - 5000	44946	Ersatz Vorfilter 2000 - 5000	Spare prefilter housing 2000 - 5000

Produkt / Product

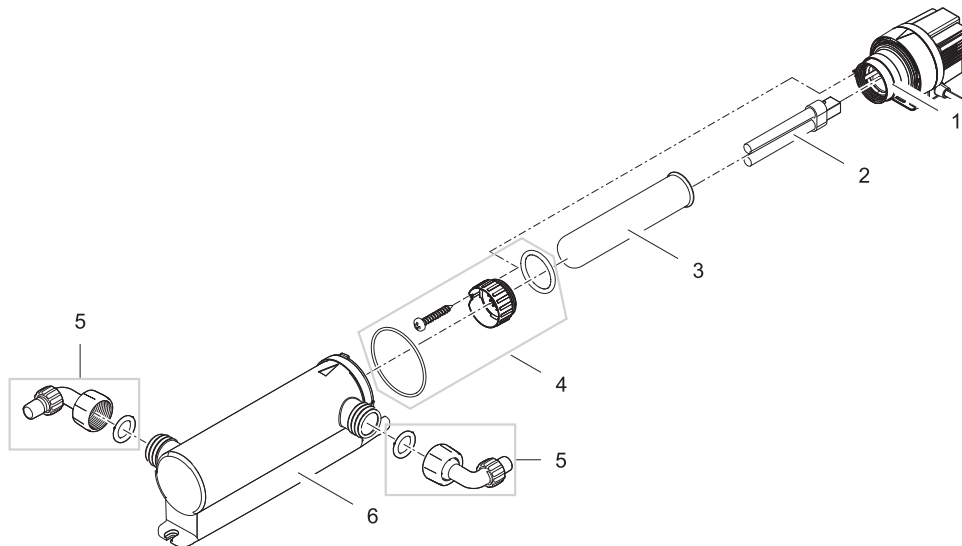
41848	OxyMax 100	
41849	OxyMax 200	
41850	OxyMax 400	
41851	OxyMax 100	GB
41852	OxyMax 200	GB
41853	OxyMax 400	GB



Pos.	Produkt / Product	Artikelnr. / Item no.	Ersatzteil	Spare part
1	OxyMax 100 - 400	44659	Schlauch OxyMax 4/6 mm	Hose OxyMax 4/6 mm
2	OxyMax 100 - 400	44656	Ausströmer OxyMax	Air-outlet OxyMax
3	OxyMax 100 - 400	44658	Ersatz Membranset OxyMax	Spare part membrane set OxyMax
4	OxyMax 100 - 400	44657	Ersatz Luftfilterset OxyMax	Spare part air filter set OxyMax

Produkt / Product

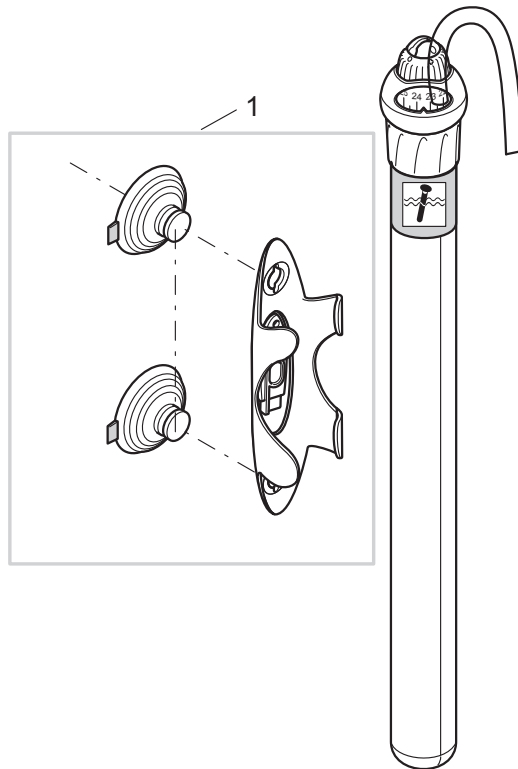
43177	ClearTronic 7 W	
43178	ClearTronic 9 W	
43179	ClearTronic 11 W	
44247	ClearTronic 7 W	GB
44248	ClearTronic 9 W	GB
44249	ClearTronic 11 W	GB



Pos.	Produkt / Product	Artikelnr. / Item no.	Ersatzteil	Spare part
1	ClearTronic 7 W	45296	BG UVC ClearTronic 7 / 9 / 11	ASM UVC ClearTronic 7 / 9 / 11
	ClearTronic 9 W	45296	BG UVC ClearTronic 7 / 9 / 11	ASM UVC ClearTronic 7 / 9 / 11
	ClearTronic 11 W	45296	BG UVC ClearTronic 7 / 9 / 11	ASM UVC ClearTronic 7 / 9 / 11
	ClearTronic 7 W	45297	BG UVC ClearTronic 7 / 9 / 11 GB	ASM UVC ClearTronic 7 / 9 / 11 GB
	ClearTronic 9 W	45297	BG UVC ClearTronic 7 / 9 / 11 GB	ASM UVC ClearTronic 7 / 9 / 11 GB
	ClearTronic 11 W	45297	BG UVC ClearTronic 7 / 9 / 11 GB	ASM UVC ClearTronic 7 / 9 / 11 GB
2	ClearTronic 7 W	57111	Ersatzlampe UVC 7 W	Replacement bulb UVC 7 W
	ClearTronic 9 W	54984	Ersatzlampe UVC 9 W	Replacement bulb UVC 9 W
	ClearTronic 11 W	56112	Ersatzlampe UVC 11 W	Replacement bulb UVC 11 W
	ClearTronic 7 W	57111	Ersatzlampe UVC 7 W	Replacement bulb UVC 7 W
	ClearTronic 9 W	54984	Ersatzlampe UVC 9 W	Replacement bulb UVC 9 W
	ClearTronic 11 W	56112	Ersatzlampe UVC 11 W	Replacement bulb UVC 11 W
3	ClearTronic 7 - 11 W	13312	Ersatz Quarzglas UVC 7 / 9 / 11 W	Spare quartz glass UVC 7 / 9 / 11 W
4	ClearTronic 7 - 11 W	15535	Ersatz Klemmschrauben Set UVC 7 / 9 / 11 W	Spare part clip bolt set UVC 7 / 9 / 11
5	ClearTronic 7 - 11 W	44951	Ersatzteilset Tülle ClearTronic	Spare hose connector ClearTronic
6	ClearTronic 7 - 11 W	26940	Wassergehäuse UVC 7 / 9 / 11 W	Water housing UVC 7 / 9 / 11 W

Produkt / Product

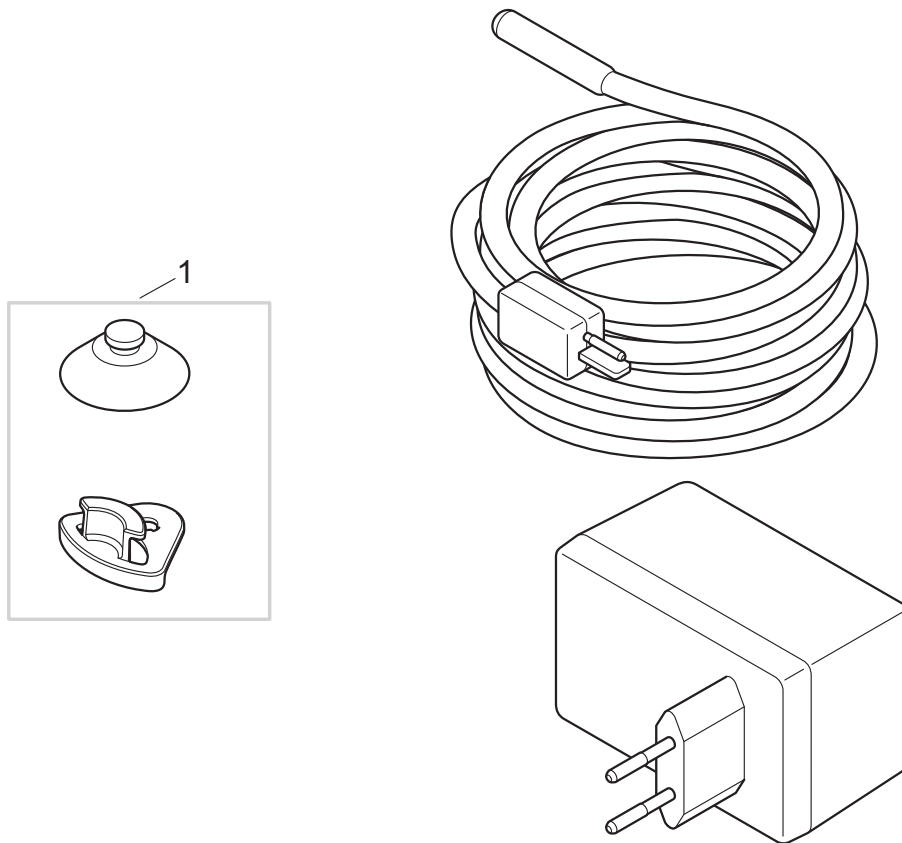
42698	HeatUp 25	
42699	HeatUp 50	
42701	HeatUp 75	
42703	HeatUp 100	
42705	HeatUp 150	
42708	HeatUp 200	
42712	HeatUp 250	
42713	HeatUp 300	
45446	HeatUp 25	GB
42724	HeatUp 50	GB
42725	HeatUp 75	GB
42726	HeatUp 100	GB
42727	HeatUp 150	GB
42728	HeatUp 200	GB
42729	HeatUp 250	GB
42730	HeatUp 300	GB



Pos.	Produkt / Product	Artikelnr. / Item no.	Ersatzteil	Spare part
1	HeatUp 25 - 300	45373	Ersatz Halterung Heizer	Replacement bracket heater

Produkt / Product

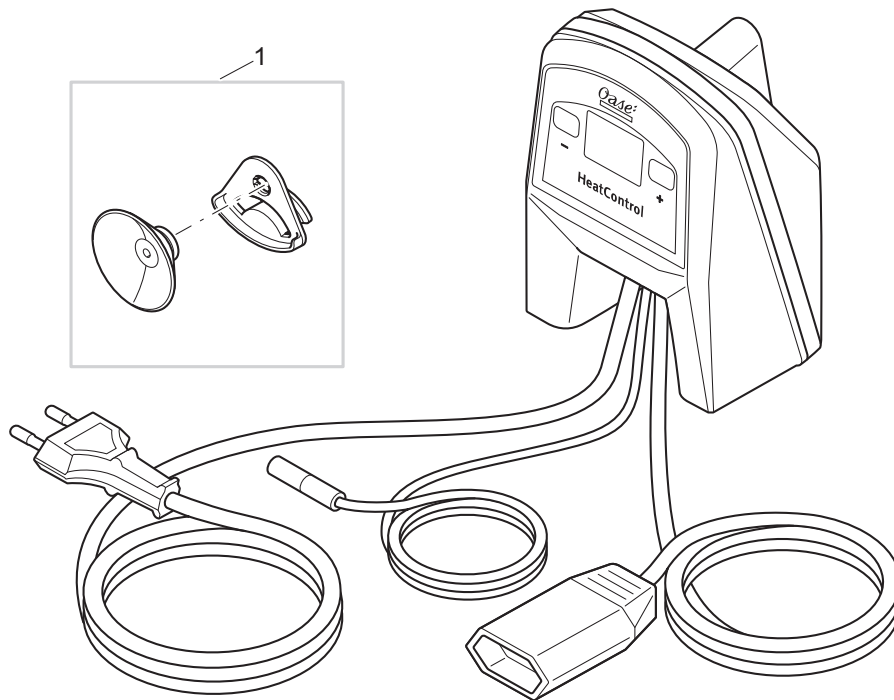
- 42715 HeatUp Basis 10 W
- 42716 HeatUp Basis 15 W
- 42718 HeatUp Basis 20 W



Pos.	Produkt / Product	Artikelnr. / Item no.	Ersatzteil	Spare part
1	HeatUp Basis 10 - 20 W	46164	Ersatz Klammer + Saugnapf	Replacement clip + suction cup

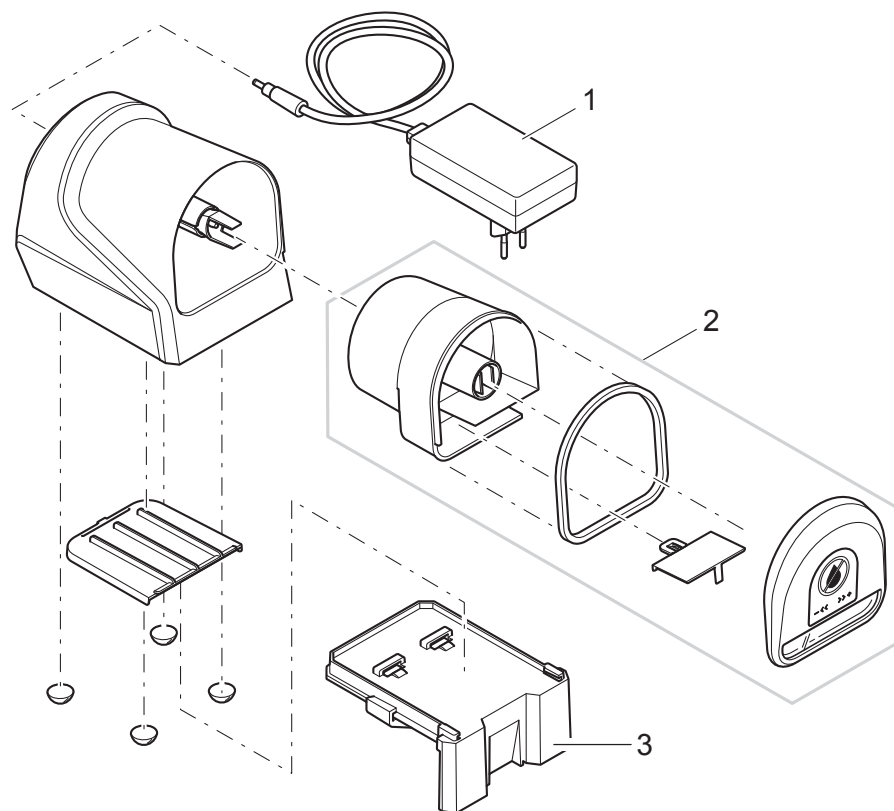
Produkt / Product

42723 HeatControl



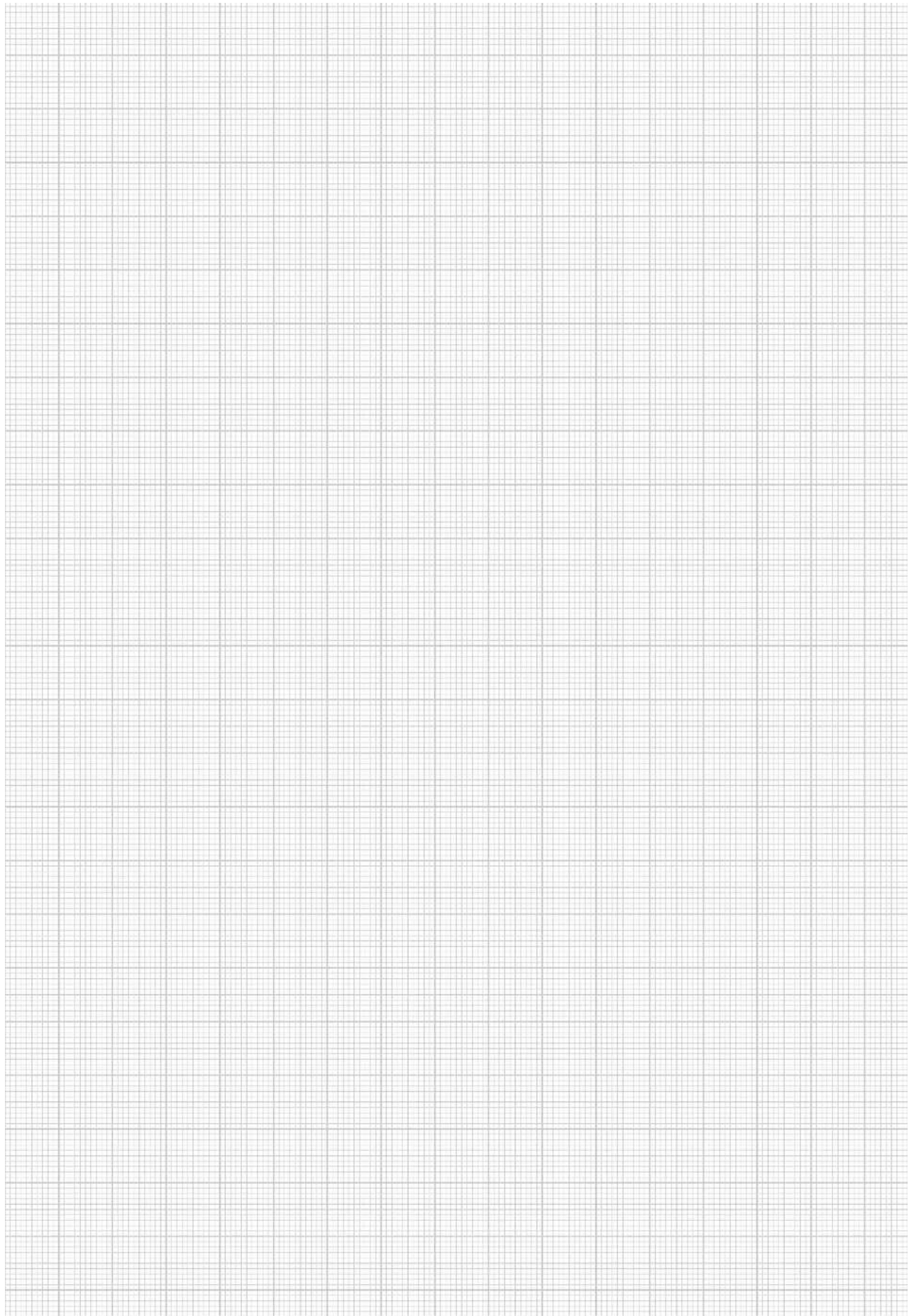
Pos.	Produkt / Product	Artikelnr. / Item no.	Ersatzteil	Spare part
1	HeatControl	46164	Ersatz Klammer + Saugnapf	Replacement clip + suction cup

Produkt / Product
42720 FishGuard

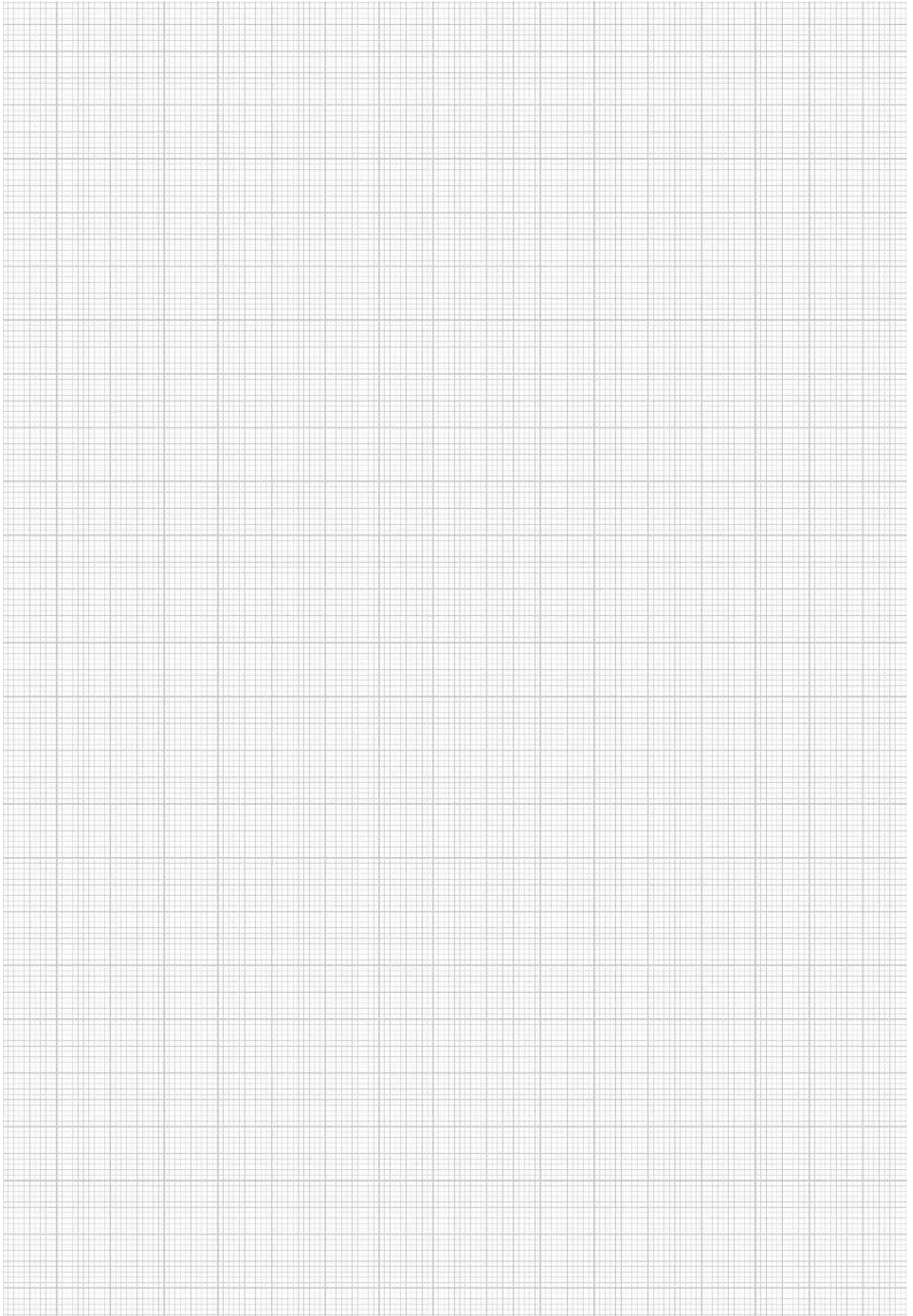


Pos.	Produkt / Product	Artikelnr. / Item no.	Ersatzteil	Spare part
1	FishGuard	45052	Netzteil FishGuard	Power supply FishGuard
2	FishGuard	45344	Ersatz Futtertrommel FishGuard	Spare part food drum FishGuard
3	FishGuard	45053	Halterung FishGuard	Bracket FishGuard

NOTIZEN/NOTES



NOTIZEN/NOTES



Sehr geehrte OASE Handelspartner,

OASE bevorratet Ersatzteile grundsätzlich mindestens 5 Jahre, in einzelnen Fällen bis zu 8 Jahre ab dem letzten Produktionsdatum.

Sofern aus wirtschaftlichen und / oder produktionstechnischen Gründen keine Ersatzteil-lieferung innerhalb der oben genannten fünf Jahre möglich ist, bietet OASE ein gleichwertiges Produkt oder nach eigener Wahl ein Nachfolgemodell als Produkt unentgeltlich an.

Sofern eine Reparatur an der Elektrik eines OASE-Gerätes notwendig sein sollte, können Sie dieses auf eigene Kosten und Gefahr zur Instandsetzung gerne an uns senden. In Gewährleistung und / oder Garantiefällen erfolgt die Reparatur kostenfrei, wir entscheiden darum ob wir reparieren oder ein gleichwertiges Teil nachliefern.

Autorisierte Firmen können unter Einhaltung der entsprechenden Richtlinien des VDE derartige Reparaturen auch selbst durchführen. Sollten Sie in diesem Zusammenhang sicherheitsrelevante Ersatzteile benötigen, können Sie diese mit diesem Formular per Fax bei uns anfragen!

Fax-Bestellung: 0 54 54 / 80 92 69 an die OASE GmbH

Reparatur von elektrischen Geräten

Absender:

Kunden-Nr. _____ Anschrift _____

Firma _____

Name _____

Telefon _____ PLZ / Ort _____

Fax _____ E-Mail _____

Ort, Datum _____ Unterschrift _____

Hiermit versichere ich, dass die Wartung/Reparatur an der OASE-Tauchmotorpumpe oder einem anderem elektrischen Gerät, Typ ... ordnungsgemäß und fachmännisch auch unter Berücksichtigung der vorgeschriebenen Sicherheitsprüfungen nach VDE 0700 T1, T41 und VDE 0701 T 1 und T200 durchgeführt werden.

Mir ist bekannt, dass entsprechend der Gebrauchsanleitung der Firma OASE eine Haftung des Herstellers für Schäden, die in Folge unsachgemäßer Bedienung oder Reparatur, wegen mangelhafter Wartung oder normaler Abnutzung (Verschleißteile) entstanden sind, ausgeschlossen sind.

Insbesondere sind nachfolgende Anforderungen nach VDE 0700 T41 Abs. 13, 15, 16 und 27 zu berücksichtigen

Auszug aus der Vorschrift:

- Hochspannungsprüfung: 1250 Volt 1. Min.
- Schutzleiterprüfung: 25 Amp 2 Sek.
- Funktionsprüfung: 220 V/50 Hz 5 Sek.
alternativ 380 V/50 Hz 5 Sek.
- Ableitstromprüfung: <0,75 mA 5 Sek.
sowie
- Druckwasserdichtigkeitsprüfung an der getaucheten Gesamtpumpe

Elektrisches Gerät:

Benötigte Ersatzteile:

Dear OASE trade partner,

OASE always stocks spare parts for at least 5 years, in some cases up to 8 years from the last production date.

If for economic and/or technical reasons, spare parts delivery within the five years cited above is not possible, OASE offers an equivalent product or at OASE's discretion a successor model as product, free of charge.

If repair of the electrical components of an OASE device should be necessary, you can send this device to us for repair, at your own expense and risk. In warranty or guarantee cases the repair is free of charge, therefore we decide whether we repair or send an equivalent part.

Authorised companies can also execute these types of repairs themselves, in compliance with the appropriate VDE guidelines. In this situation should you require safety-relevant spare parts, you can request these parts from us per fax with this form!



Fax purchase order: + 49 54 54 / 80 92 69 To OASE GmbH

Repair of electrical devices

sender:

Customer no. _____ Address _____

Company _____

Name _____

Telephone _____ Postal Code/City _____

Fax _____ E-mail _____

City, Date _____ Signature _____

I hereby assure that the maintenance / repair on the OASE immersion motor pump or a different electrical device, type ... will be properly and expertly executed, also with due consideration of the prescribed safety tests in accordance with VDE 0700 T1, T41 and VDE 0701 T 1 and T200.

I am aware that in accordance with the instructions for use specified by OASE, liability on the part of the manufacturer for damage that occurs due to improper operation or repair, or due to inadequate maintenance or normal wear (wearing parts), is excluded.

In particular the following requirements in accordance with VDE 0700 T41 paragraph 13, 15, 16 and 27 must be considered.

Excerpt from the directive:

- High-voltage test: 1250 volt 1. min.
- Protective earth conductor test: 25 amp 2 sec.
- Function test: 220 V / 50 Hz 5 sec.
alternatively 380 V / 50 Hz 5 sec.
- Leakage current test: <0.75 mA 5 sec.
as well as
- Pressure-water tightness test on the submerged complete pump

Electrical device:

Required spare parts:

OASE GARANTIE

Die OASE GmbH übernimmt eine Herstellergarantie zu den unten stehenden Bedingungen, deren jeweilige Dauer produktbezogen gekennzeichnet ist. Diese liegt in Textform dem Gerät zusätzlich bei. Der Lauf der jeweiligen Garantiedauer beginnt mit dem erstmaligen Neukauf von einem OASE-Fachhändler, der von einem OASE-Fachhändler oder von OASE selbst das Produkt nachweislich erworben hat. Bei einem Weiterverkauf beginnt die Garantiefrist nicht von neuem zu laufen.

Durch Garantieleistungen wird die Garantiezeit weder verlängert, noch erneuert, noch entstehen auf Garantieleistungen gesetzliche Gewährleistungsansprüche. Sobald der Inhalt der Garantie nicht speziell angegeben ist, gewährt OASE eine Garantie im nachbenannten Umfang: Voraussetzung für die Inanspruchnahme jeder Garantie von OASE, auch der Verlängerungsgarantie, ist, dass der Kunde bei einem Teiletausch/einer Reparatur bzw. bei jedweder Nachbesserung ausschließlich nur OASE original Ersatzteile fachgerecht eingebaut hat. Jede OASE-Garantie entfällt bei Einsatz von Produkten fremder Hersteller. Wir leisten eine Garantie nach unserer Wahl durch unentgeltliche Reparatur bzw. kostenlose Lieferung von originalen Ersatzteilen oder aber eines gleichwertigen Ersatzgerätes. Sollte der betreffende Typ nicht mehr hergestellt werden, behalten wir uns nach eigener Wahl vor, ein Ersatzgerät aus unserem Sortiment zu liefern, das dem beanstandeten Typ so nah wie möglich kommt. Die Erstattung von Aufwendungen für Aus- und Einbau, Überprüfung, Forderungen nach entgangenem Gewinn und Schadenersatz sowie Rückabwicklungsansprüche sind von der Garantie ebenso wenig erfasst, wie weitergehende Ansprüche auf Schadenersatz für Verluste gleich welcher Art, die durch das Gerät und seinen Gebrauch verursacht wurden.

Die Garantie gilt nur für das Land, in dem der Kunde das Gerät von einem OASE-Fachhändler gekauft hat. Galabauer, Bauunternehmer, Gärtner, Poolbauer, Unternehmen des Gebäudemanagements, Aquarien Einrichter und Aqua Scaper gelten nicht als Wiederverkäufer bzw. Fachhändler im Sinne der Garantiebedingungen. Für diese Garantie gilt nach diesen Bedingungen Deutsches Recht unter Ausschluss des Übereinkommens der vereinten Nationen über Verträge über den internationalen Warenkauf (CISG). Die gesetzlichen Rechte als Käufer insbesondere aus der Gewährleistung werden durch diese Garantie nicht berührt.

Mängel oder Schäden, deren Ursache auf fehlerhaftem Einbau oder Bedienungsfehlern sowie auf mangeln der Pflege, bzw. auf der Verwendung ungeeigneter Putzmittel oder unterlassener Wartung, nicht bestimmungsgemäßem Gebrauch, Beschädigung, Stoß, Frosteinwirkung etc., Stecker abschneiden, Kabel kürzen, Kalkablagerungen oder unsachgemäßen Reparatur versuchen beruhen, fallen nicht unter den Garantieschutz. Insofern verweisen wir bezüglich des sachgemäßen Gebrauchs auf die Gebrauchsanweisung, deren Einhaltung Grundvoraussetzung für die Inanspruchnahme aus der Garantie ist. Verschleißteile, wie z.B. Leuchtmittel etc. sind ausdrücklich nicht Bestandteil von Garantien, sie sind in den Gebrauchsanweisungen der Produkte angegeben.

Im Garantiefall wenden Sie sich bitte an Ihren OASE-Händler, der Ihnen das Produkt verkauft hat. Sollte diese Möglichkeit nicht bestehen, können danach Ansprüche aus der Garantie gegenüber der OASE GmbH, Tecklenburger Str. 161, 48477 Hörstel, Deutschland, dadurch geltend gemacht werden, dass sie an uns frachtfrei und auf Ihr Transportrisiko das beanstandete Produkt mit einer Kopie des Original-Kaufbelegs des OASE-Fachhändlers, der Garantieurkunde im Original sowie der schriftlichen Angabe des beanstandeten Fehlers senden.

Ein Verzeichnis der OASE-Fachhändler finden Sie unter: www.oase-livingwater.com

OASE GUARANTEE

OASE GmbH offers a manufacturer's guarantee under the conditions specified below; the respective duration of the manufacturer's guarantee is marked based on the product. The guarantee period is also provided in text form with the product. The term of the respective guarantee period starts with the first-time purchase of the new product from the authorised OASE dealer. If the product is resold, the guarantee period does not start over again. The guarantee period is neither extended nor restarted through guarantee performances, nor do legal warranty claims arise on guarantee performances. If the guarantee is not expressly specified, then OASE provides a guarantee in the scope cited below: The prerequisite for claiming any guarantee from OASE, including the extension guarantee, is that the customer must have properly and exclusively installed original OASE spare parts when replacing parts, or for a repair or for any kind of improvement. If products from third-party manufacturers are installed, any OASE guarantee is rendered null and void.

At our discretion we provide a guarantee through free-of-charge repair or free-of-charge delivery of original spare parts, or of an equivalent replacement device. If the type in question should no longer be manufactured, we reserve the right, at our discretion, to deliver a replacement device from our product range that most nearly approaches the type that was the object of the complaint. Reimbursement of expenses for removal and installation, checking, claims for lost profit and compensation for damage, as well as reverse transaction claims are not included in the guarantee, likewise more extensive claims for compensation of losses, regardless of the type, that have been caused by the device and its use, are not included in the guarantee. The guarantee only applies for the country in which the devices were purchased from an authorised OASE dealer.

According to these conditions German law with exclusion of the United Nations Convention on Contracts for the International Sale of Goods (CISG), applies for this guarantee. The legal rights of the purchaser, in particular arising from the warranty are not affected by this guarantee. Defects or damage due to faulty installation or operating error, as well as insufficient care or the use of unsuitable cleaning agents or neglected maintenance, non-intended use, damage, impact, the effects of freezing temperatures, etc., cutting of the plug, shortening the cable, limescale deposits or improper repair attempts, are not covered by the guarantee. In this respect, relative to the intended use, we refer to the operating instructions; compliance with the operating instructions is the basic prerequisite for any claim arising from the guarantee. Wear parts, e.g. bulbs, etc. are expressly not a component of the guarantee; wear parts are specified in the operating instructions of the products. If there is a guarantee claim, please contact the OASE dealer, who sold the product to you. If this possibility does not exist, you can assert claims arising from the guarantee relative to OASE GmbH, Tecklenburger Str. 161, 48477 Hörstel, Germany, by sending to us the product that is the object of the complaint, carriage paid, and at your transport risk, with a copy of the original purchase receipt of the authorised OASE dealer, the original guarantee certificate, as well as written specification of the fault that is the object of the complaint.

A directory of authorized OASE dealers is provided at: www.oase-livingwater.com

ALPHABETISCHE PRODUKTÜBERSICHT / ALPHABETICAL PRODUCT OVERVIEW

Art.-Nr./ Item no.	Produkt/Product	Seite/ Page	Art.-Nr./ Item no.	Produkt/Product	Seite/ Page
42722	Aqua In-Out Set 800	22	42695	FiltoSmart Thermo 200	13
42661	BioCompact 25	4	42669	FiltoSmart Thermo 300	13
42678	BioCompact 25	4	42697	FiltoSmart Thermo 300	13
42662	BioCompact 50	5	42720	FishGuard	29
42679	BioCompact 50	5	42723	HeatControl	28
42733	BioMaster 250	16	42703	HeatUp 100	26
42741	BioMaster 250	16	42726	HeatUp 100	26
42734	BioMaster 350	16	42705	HeatUp 150	26
42742	BioMaster 350	16	42727	HeatUp 150	26
42735	BioMaster 600	16	42708	HeatUp 200	26
42743	BioMaster 600	16	42728	HeatUp 200	26
42737	BioMaster Thermo 250	16	42698	HeatUp 25	26
42745	BioMaster Thermo 250	16	45446	HeatUp 25	26
42738	BioMaster Thermo 350	16	42712	HeatUp 250	26
42746	BioMaster Thermo 350	16	42729	HeatUp 250	26
42739	BioMaster Thermo 600	16	42713	HeatUp 300	26
42747	BioMaster Thermo 600	16	42730	HeatUp 300	26
42234	BioPlus 100	6	42699	HeatUp 50	26
42240	BioPlus 100	6	42724	HeatUp 50	26
42235	BioPlus 200	6	42701	HeatUp 75	26
42241	BioPlus 200	6	42725	HeatUp 75	26
42233	BioPlus 50	6	42715	HeatUp Basis 10 W	27
42239	BioPlus 50	6	42716	HeatUp Basis 15 W	27
42237	BioPlus Thermo 100	6	42718	HeatUp Basis 20 W	27
42243	BioPlus Thermo 100	6	42656	OptiMax 1000	22
42238	BioPlus Thermo 200	6	42673	OptiMax 1000	22
42244	BioPlus Thermo 200	6	42657	OptiMax 2000	23
42236	BioPlus Thermo 50	6	42674	OptiMax 2000	23
42242	BioPlus Thermo 50	6	42653	OptiMax 300	22
43179	ClearTronic 11 W	25	42670	OptiMax 300	22
44249	ClearTronic 11 W	25	42658	OptiMax 3000	23
43177	ClearTronic 7 W	25	42675	OptiMax 3000	23
44247	ClearTronic 7 W	25	42659	OptiMax 4000	23
43178	ClearTronic 9 W	25	42676	OptiMax 4000	23
44248	ClearTronic 9 W	25	42654	OptiMax 500	22
42664	FiltoSmart 100	11	42671	OptiMax 500	22
42681	FiltoSmart 100	11	42660	OptiMax 5000	23
42665	FiltoSmart 200	13	42677	OptiMax 5000	23
42682	FiltoSmart 200	13	42655	OptiMax 800	22
42666	FiltoSmart 300	13	42672	OptiMax 800	22
42683	FiltoSmart 300	13	41848	OxyMax 100	24
42663	FiltoSmart 60	9	41851	OxyMax 100	24
42680	FiltoSmart 60	9	41849	OxyMax 200	24
42667	FiltoSmart Thermo 100	11	41852	OxyMax 200	24
42684	FiltoSmart Thermo 100	11	41850	OxyMax 400	24
42668	FiltoSmart Thermo 200	13	41853	OxyMax 400	24

PRODUKTÜBERSICHT NACH ARTIKELNR. / PRODUCT OVERVIEW BY ITEM NO.

Art.-Nr./ Item no.	Produkt/Product	Seite/ Page	Art.-Nr./ Item no.	Produkt/Product	Seite/ Page
41848	OxyMax 100	24	42681	FiltoSmart 100	11
41849	OxyMax 200	24	42682	FiltoSmart 200	13
41850	OxyMax 400	24	42683	FiltoSmart 300	13
41851	OxyMax 100	24	42684	FiltoSmart Thermo 100	11
41852	OxyMax 200	24	42695	FiltoSmart Thermo 200	13
41853	OxyMax 400	24	42697	FiltoSmart Thermo 300	13
42233	BioPlus 50	6	42698	HeatUp 25	26
42234	BioPlus 100	6	42699	HeatUp 50	26
42235	BioPlus 200	6	42701	HeatUp 75	26
42236	BioPlus Thermo 50	6	42703	HeatUp 100	26
42237	BioPlus Thermo 100	6	42705	HeatUp 150	26
42238	BioPlus Thermo 200	6	42708	HeatUp 200	26
42239	BioPlus 50	6	42712	HeatUp 250	26
42240	BioPlus 100	6	42713	HeatUp 300	26
42241	BioPlus 200	6	42715	HeatUp Basis 10 W	27
42242	BioPlus Thermo 50	6	42716	HeatUp Basis 15 W	27
42243	BioPlus Thermo 100	6	42718	HeatUp Basis 20 W	27
42244	BioPlus Thermo 200	6	42720	FishGuard	29
42653	OptiMax 300	22	42722	Aqua In-Out Set 800	22
42654	OptiMax 500	22	42723	HeatControl	28
42655	OptiMax 800	22	42724	HeatUp 50	26
42656	OptiMax 1000	22	42725	HeatUp 75	26
42657	OptiMax 2000	23	42726	HeatUp 100	26
42658	OptiMax 3000	23	42727	HeatUp 150	26
42659	OptiMax 4000	23	42728	HeatUp 200	26
42660	OptiMax 5000	23	42729	HeatUp 250	26
42661	BioCompact 25	4	42730	HeatUp 300	26
42662	BioCompact 50	5	42733	BioMaster 250	16
42663	FiltoSmart 60	9	42734	BioMaster 350	16
42664	FiltoSmart 100	11	42735	BioMaster 600	16
42665	FiltoSmart 200	13	42737	BioMaster Thermo 250	16
42666	FiltoSmart 300	13	42738	BioMaster Thermo 350	16
42667	FiltoSmart Thermo 100	11	42739	BioMaster Thermo 600	16
42668	FiltoSmart Thermo 200	13	42741	BioMaster 250	16
42669	FiltoSmart Thermo 300	13	42742	BioMaster 350	16
42670	OptiMax 300	22	42743	BioMaster 600	16
42671	OptiMax 500	22	42745	BioMaster Thermo 250	16
42672	OptiMax 800	22	42746	BioMaster Thermo 350	16
42673	OptiMax 1000	22	42747	BioMaster Thermo 600	16
42674	OptiMax 2000	23	43177	ClearTronic 7 W	25
42675	OptiMax 3000	23	43178	ClearTronic 9 W	25
42676	OptiMax 4000	23	43179	ClearTronic 11 W	25
42677	OptiMax 5000	23	44247	ClearTronic 7 W	25
42678	BioCompact 25	4	44248	ClearTronic 9 W	25
42679	BioCompact 50	5	44249	ClearTronic 11 W	25
42680	FiltoSmart 60	9	45446	HeatUp 25	26

ALLGEMEINE GESCHÄFTSBEDINGUNGEN

Liefer- und Leistungsbedingungen der Firma OASE GmbH
(AGB Stand: 01.08.2012)

I. Geltung, Vertragsabschluss u. -inhalt

1. Für alle unsere Lieferungen und Leistungen gelten vorrangig und mangels abweichender Vereinbarung unsere nachstehenden AGB, allerdings nur im Verkehr mit Unternehmern, juristischen Personen des öffentlichen Rechts oder des öffentlich rechtlichen Sondervermögens. Entgegenstehenden Bedingungen des Bestellers widersprechen wir. Unsere AGB gelten auch bei zukünftigen Geschäftsbeziehungen ohne erneute ausdrückliche Bezugnahme.
2. Unsere Angebote sind freibleibend. Die Bestellung des Bestellers ist verbindlich. Ein Vertrag kommt erst mit unserer schriftlichen Auftragsbestätigung zustande, die wir binnen 2 Wochen seit Eingang der Bestellung zu erklären haben. Zusicherungen, Nebenabreden u. Änderungen des Vertrages bedürfen zu ihrer Wirksamkeit gleichfalls stets unserer schriftlichen Bestätigung.
3. Als Beschaffenheit der Ware gilt grundsätzlich nur unsere Produktbeschreibung als vereinbart. Anpreisungen oder Werbungen stellen daneben keine vertragsgemäße Beschaffenheitsangabe der Ware dar. Die in Prospekten, Katalogen und Werbeanzeigen enthaltenen Angaben begründen keine Eigenschaftszusicherungen. Garantien im Rechtssinne erhält der Besteller durch uns nicht, es sei denn, wir geben ausdrücklich eine Garantieerklärung ab.
4. Richtige und rechtzeitige Selbstlieferung bleibt vorbehalten. Wir werden den Besteller unverzüglich über die Nichtverfügbarkeit einer Lieferung informieren und im Falle des Rücktritts die entsprechende Gegenleistung dem Besteller unverzüglich erstatten.

II. Preise u. Zahlungsbedingungen

1. Unsere Preise verstehen sich in € ab Werk zzgl. etwaiger Montagekosten sowie zusätzlich der jeweils geltenden gesetzlichen Mehrwertsteuer.
2. Wir sind berechtigt, die Listenpreise nach Abschluss des Kaufvertrages zu erhöhen, wenn sich die Preise für Material und / oder Lohn / Gehalt in der Zeit zwischen Vertragsabschluss und Lieferung erhöhen und zwischen Bestellung und Lieferabruf ein Zeitraum von mehr als 4 Monaten liegt.
3. Mangels abweichender Vereinbarung sind unsere Rechnungen in vollem Umfang bei Lieferung bzw. Abnahme sofort ohne jeden Abzug netto Kasse zahlbar und fällig. Bei ausdrücklicher Vereinbarung eines Skontoabzuges beginnt die Skontofrist mit dem Rechnungsdatum.
4. Der Besteller kommt mangels Zahlung ohne weitere Erklärung unsererseits 10 Tage nach dem Fälligkeitstag in Verzug.
5. Im Falle des Vorhandenseins von Mängeln steht dem Besteller ein Zurückbehaltungsrecht nach § 273 BGB nicht zu, es sei denn, die Lieferung ist offensichtlich mangelhaft bzw. dem Besteller steht offensichtlich ein Recht zur Verweigerung der Abnahme der Arbeiten zu. In diesen Fällen ist der Besteller nur zur Zurückhaltung des Vergütungsanspruches in der Höhe berechtigt, soweit der einbehaltene Betrag im angemessenen Verhältnis zu den Mängeln und den voraussichtlichen einfachen Kosten der Nacherfüllung vorrangig durch Reparatur steht. Unbestrittene oder rechtskräftig festgestellte Forderungen sind von dieser Einschränkung ausgenommen. Sonstige, nicht unter §§ 273, 320 BGB fallende Zurückbehaltungs-/Leistungsverweigerungsrechte sind vorbehalten, falls diese unstrittig oder rechtskräftig festgestellt sind, ausgeschlossen.
6. Der Besteller kann nur mit solchen Forderungen aufrechnen, die unbestritten oder rechtskräftig festgestellt sind.

III. Lieferzeit/Lieferverzögerung

1. Angaben zu Lieferzeiten sind unverbindlich. Die Einhaltung der Lieferfrist setzt die Erfüllung der Vertragspflichten des Bestellers voraus. Lieferfristen beginnen frühestens mit Vertragsschluss, nicht jedoch vor vollständiger Beibringung aller vom Besteller zu beschaffenden Unterlagen, Freigaben, technischer Klärungen, etc. Nachträgliche Änderungs- o. Ergänzungswünsche des Bestellers verlängern die Lieferzeit angemessen. Die Frist ist eingehalten, wenn bis zu ihrem Ablauf der Liefergegenstand unser Werk verlassen hat oder die Versandbereitschaft mitgeteilt ist, wenn die Ware ohne unser Verschulden nicht rechtzeitig abgesendet wird. Bei Eintritt unvorhergesehener Ereignisse und/oder höherer Gewalt verlängert sich eine Lieferfrist gleichfalls angemessen.
2. Im Falle von uns zu vertretenden Lieferverzügen kann der Besteller uns nach einer schriftlichen Mahnung eine angemessene weitere Frist mit dem Hinweis setzen, dass er die Annahme des Vertragsgegenstandes nach Ablauf der Frist ablehnt. Erst nach fruchtlosem Ablauf der weiteren Frist und aller sonstigen gesetzlichen Voraussetzungen ist der Besteller berechtigt, durch schriftliche Erklärung vom Vertrag zurückzutreten. Schadenersatz wegen Nichterfüllung kann der Besteller im Falle des Rücktritts daneben nicht verlangen.

IV. Gefahrübergang und Entgegennahme

1. Die Gefahr geht mit der Absendung der Lieferteile auf den Besteller über, und zwar auch dann, wenn Teillieferungen erfolgen oder wenn wir auch andere Leistungen, z. B. die Versendung und ihre Kosten oder die Montage übernommen haben. Teillieferungen und Teilleistungen dürfen wir bewirken, soweit für den Kunden zumutbar.
2. Verzögert sich der Versand infolge von Umständen, die der Besteller zu vertreten hat, geht die Gefahr vom Tage der Versandbereitschaft ab auf ihn über. Wir sind befugt, die Ware im Annahmeverzugsfalle auf Gefahr und Kosten des Bestellers an diesen zu versenden, alternativ auf seine Kosten und Gefahr einzulagern.
3. Angeliessene Gegenstände sind, auch wenn sie unwesentliche Mängel aufweisen, vom Besteller unbeschadet der Rechte aus Ziffer VI entgegenzunehmen.

V. Eigentumsvorbehalt

1. Wir behalten uns das Eigentum an dem Liefergegenstand bis zum Eingang aller Zahlungen aus der Geschäftsverbindung mit dem Besteller vor; der Vorbehalt bezieht sich auf den anerkannten Saldo.
2. Wird die Kaufsache mit anderen, uns nicht gehörenden Gegenständen verbunden, erwerben wir das Miteigentum an der neuen Sache im Verhältnis des Wertes der Kaufsache zu den verbundenen Gegenständen zum Zeitpunkt der Verbindung. Erfolgt die Verbindung in der Weise, dass die Sache des Bestellers als Hauptsache anzusehen ist, gilt als vereinbart, dass der Besteller uns anteilig Miteigentum überträgt. Er verwahrt das so entstandene Allein- oder Miteigentum für uns. Der Besteller tritt uns auch die Forderungen zur Sicherung unserer Forderungen gegen ihn ab, die durch die Verbindung der Kaufsache mit einer Sache und/oder einem Gegenstand gegen einen Dritten in Höhe unseres Verkaufserlöses erwachsen oder durch Weiterveräußerung in dieser Höhe entstehen, wobei diese nur im ordnungsgemäßen Geschäftsverkehr erlaubt ist. Zur anderen Verfügung über die Vorbehaltsware, insbesondere zur Sicherungsübereignung und/oder Verpfändung ist der Besteller nicht befugt.
3. Wir sind befugt, die Forderung selbst einzuziehen, wenn der Besteller seinen Zahlungsverpflichtungen nicht nachkommt. In diesem Fall hat der Besteller uns die zur Geltendmachung unserer Rechte gegen die Kunden des Bestellers erforderlichen Auskünfte zu erteilen und alle erforderlichen Unterlagen auszuhändigen.
4. Auf Wunsch des Bestellers geben wir nach unserer Wahl einen entsprechenden Teil der Sicherungsrechte frei, wenn der realisierbare Wert dieser Rechte die Höhe aller uns zustehenden Ansprüche um mehr als 10 % übersteigt.

VI. Mängelrügen und Haftung für Mängel

1. Jede unserer Lieferungen ist, wenn der Besteller Unternehmer ist, sofort auf Vollständigkeit und Mangelfreiheit zu kontrollieren. Offensichtliche und bei ordnungsgemäßer Untersuchung erkennbare Mängel hat der Besteller unverzüglich nach Ablieferung schriftlich anzuzeigen. Jeden festgestellten Mangel muss der Unternehmer unverzüglich schriftlich anzeigen. Die Mitteilung muss eine genaue Fehlerbeschreibung enthalten.
Der Besteller ist verpflichtet, bei Abholung oder Anlieferung den Zustand der Ware selbst oder durch Bevollmächtigte Dritte quittieren zu lassen. Eine Minderlieferung begründet ebensowenig einen Mangel, wie eine Falschlieferrung, wir sind vielmehr zur Nachlieferung nach Aufforderung berechtigt.
2. Ist die Ware aus einem Liefergeschäft mangelhaft, leisten wir nach unserer Wahl Gewähr durch Nachbesserung oder Ersatzlieferung. Die Ansprüche des Bestellers wegen eines Mangels der Kaufsache sind zunächst auf Nacherfüllung beschränkt. Schlägt diese nach wenigstens zwei zumutbaren Versuchen endgültig fehl, ist dem Besteller das Recht vorbehalten, zu mindern, oder wenn der Mangel erheblich ist, vom Vertrag zurückzutreten.
3. Schadenersatzansprüche bestehen nicht bei nur unerheblicher Abweichung einer vereinbarten Beschaffenheit oder bei nur unerheblicher Beeinträchtigung der Brauchbarkeit.
4. Wählt der Besteller wegen eines Sachmangels einer Lieferung nach gescheiterter Nacherfüllung den Rücktritt vom Vertrag, steht ihm daneben ein Schadenersatzanspruch nicht zu. Wählt der Besteller nach gescheiterter Nacherfüllung Schadenersatz, verbleibt die Ware beim Besteller, wenn ihm dies zuzumuten ist. Der Ersatz beschränkt sich auf die Differenz zwischen Kaufpreis und Wert der mangelhaften Sache. Dies gilt nicht, wenn wir die Vertragsverletzung vorsätzlich oder grob fahrlässig verursacht haben.
5. Zur Vornahme aller uns nach billigem Ermessen notwendig erscheinender Ausbesserungen und Ersatzlieferungen hat der Besteller uns nach Absprache die erforderliche Zeit und Gelegenheit zu geben, andernfalls sind wir von der Mängelhaftung frei. Nur wenn wir mit der Beseitigung des Mangels im Verzuge sind, hat der Besteller nach einer Mahnung und weiteren angemessenen Fristsetzung mit Ablehnungsandrohung das Recht, den Mangel selbst oder durch Dritte beseitigen zu lassen und von uns angemessenen Kostenersatz zu verlangen.
6. Die Verjährungsfrist für Ansprüche und Rechte wegen Mängeln – gleich aus welchem Rechtsgrund – beträgt 1 Jahr, gleich ob bei Lieferung oder Montage / Werkvertrag. Diese Frist gilt auch für sonstige Schadenersatzansprüche des Bestellers unabhängig von deren Rechtsgrundlage, es sei denn, uns trifft Vorsatz oder eine Garantieverletzung bzw. bei arglistigem Verschweigen von Mängeln bzw. bei Ansprüchen nach dem Produkthaftungsgesetz und bei schuldhafter Verletzung wesentlicher Vertragspflichten.
7. Eine Mängelrüge hemmt die Verjährung der Gewährleistungsansprüche ausdrücklich nicht, wenn wir nach Überprüfung der Mängelursachen feststellen, dass wir für den Mangel nicht verantwortlich sind und dies mitteilen.
8. Wir haften nicht für Schäden, die durch ungeeignete oder unsachgemäße Verwendung, für fehlerhafte Behandlung durch den Besteller oder Dritte, natürliche Abnutzung oder nachlässige Behandlung, ungeeignete Reinigung und Pflege, chemische u. o. mechanische Einflüsse etc. entstehen, sofern diese nicht auf unser Verschulden zurückzuführen sind.
9. Sollte in Folge einer Mängelrüge des Bestellers OASE bei der Überprüfung des reklamierten Produktes feststellen, dass der Mangel nicht von OASE zu vertreten, sondern die Folge eines Bedienungsfehlers oder unsachgemäßer Handhabung ist, ist OASE berechtigt, dem Besteller eine Servicepauschale von 19,90 € zzgl. Mehrwertsteuer zzgl. Versandkosten für den entstandenen Arbeitsaufwand pro Produkt zu berechnen. Eine gleichhohe Servicepauschale berechnet OASE für jedwede Aufwendungen aus Anlass von Pflichtverletzungen des Bestellers oder bei unerlaubten Handlungen, soweit Mehraufwand entsteht.
10. Bei leicht fahrlässigen Pflichtverletzungen ist die Haftung ausgeschlossen. Im Falle grober Pflichtverletzung ist unsere Haftung auf den vertragstypischen, vorhersehbaren Schaden begrenzt, gleichermaßen bei Verletzung wesentlicher Vertragspflichten. Im Übrigen haften wir nach dem Produkthaftungsgesetz, wegen der Verletzung des Lebens, des Körpers oder der Gesundheit oder wegen der schuldhaften Verletzung wesentlicher Vertragspflichten. Rückgriffsrechte nach § 478 BGB bleiben in der Maßgabe unberührt, dass uns für den Ausgleich im Rückgriffsfalle das Recht eingeräumt ist, nach unserer Wahl nachzuerfüllen und zwar durch Reparatur oder Neulieferung.

VII. Warenrückgabebedingungen

Unabhängig von den unter Ziffer VI geregelten Ansprüchen bei Vorliegen von Mängeln, nimmt OASE mangelfrei gelieferte Waren nur im Einzelfall und nach vorheriger, schriftlicher Genehmigung vor der Rücksendung zurück, wobei Rücknahmen von Produkten mit einem Bestellwert von unter 100,00 € aus wirtschaftlichen Gründen grundsätzlich ausgeschlossen sind.
Voraussetzung für den Abschluss einer Rücksendevereinbarung ist in jedem Fall, dass die zurückzubehaltenden Produkte in einwandfreiem Zustand inkl. deren Verpackung sind und dem aktuellen Katalogprogramm entsprechen.
Sollte eine Rücksendevereinbarung zustande kommen, ist der Besteller verpflichtet, eine Kopie der Rechnung, eine Kopie des Lieferscheins und den Retourenschein der Rücksendung beizufügen. Der Besteller trägt das Transportrisiko der Rücksendung. Rücksendungen dürfen nicht unfrei sein, andernfalls ist OASE berechtigt, die Annahme zu verweigern.
Für den gesamten anfallenden Bearbeitungs- und Verwaltungsaufwand, sowie das Risiko der Weiterveräußerung der retournierten Produkte, bringt OASE 30% vom fakturierten Warennettowert in Abzug.

VIII. Haftung für Nebenpflichten

1. Unsere anwendungstechnische Beratung in Wort und Schrift, sowie Vorschläge, Berechnungen, Zeichnungen, Projektierungen sollen dem Besteller lediglich die bestmögliche Verwendung unserer Produkte erläutern, sie sind nur annähernd ermittelt und unverbindlich. Sie befreien ihn nicht von seiner Verpflichtung, sich durch eigene Prüfung von der Eignung unserer Produkte für den von ihm beabsichtigten Zweck zu überzeugen.
2. Kann durch schuldhafte Verletzung der uns obliegenden Nebenpflichten auch vor Vertragsabschluss, z. B. durch unterlassene oder fehlerhafte Beratung oder falsche Anleitung der Vertragsgegenstand nicht vertragsgemäß verwendet werden, so gelten für unsere Haftung unter Ausschluss weiterer Ansprüche des Bestellers die Regelung unter Ziffer VI. Nr. 5 - 8 entsprechend.

IX. Muster, Zeichnungen

An Mustern, Zeichnungen und anderen Unterlagen behalten wir uns das Eigentum und Urheberrecht vor. Sie dürfen unbefugten Dritten nicht zugänglich gemacht und müssen uns auf unser Verlangen hin zurückgegeben werden.

X. Erfüllungsort, anwendbares Recht, Gerichtsstand

1. Erfüllungsort für alle Lieferungen und Zahlungen ist der Sitz unserer Firma in Hörstel.
2. Es gilt ausschließlich Deutsches Recht. Die Anwendbarkeit des einheitlichen UN-Kaufrechtes (CISG) wird ausgeschlossen.
3. Der Gerichtsstand ist am Sitz von OASE.

XI. Salvatorische Klausel

Sollte eine der vorbenannten Bestimmungen unwirksam sein oder werden, berührt das die Wirksamkeit der Bestimmungen im Übrigen ausdrücklich nicht.

TERMS AND CONDITIONS

General Terms and Conditions of OASE GmbH (T&C version: 01.08.2012)

I. Applicability, conclusion of contract & content

Our general terms and conditions as set forth below, shall apply with priority for our goods and services, in the absence of an agreement to the contrary, however only for transactions with entrepreneurs, legal entities under public law and special assets under public law. Purchaser's conditions contradicting such terms and conditions shall not apply. Our general terms and conditions also apply for future business relationships, without express subsequent reference.

2. Our quotations are subject to alteration. Purchaser's purchase orders shall be binding. A contract shall only come into effect with our written order confirmation, which we shall be obligated to declare within two weeks after receipt of the purchase order. Assurances, oral agreements, and changes to the contract shall require our written confirmation to become effective.

3. Our product description as agreed shall apply as the exclusive condition of goods. Recommendations or advertising shall not additionally constitute any contractual qualities of the goods. The information contained in brochures, catalogues, and advertisements does not constitute any assurance of attributes. The purchaser obtains no legal guarantees from OASE GmbH, unless we expressly issue a declaration of guarantee.

4. Full and timely order execution shall be subject to availability of supplies. We shall inform purchaser without delay if a product is not available, and will refund the appropriate amount to purchaser without delay in the event of cancellation.

II. Prices and terms of payment

1. Our prices are ex works in €, plus possible installation costs, as well as applicable VAT.

2. We shall be authorised to increase list prices after conclusion of the purchase contract, if the prices for material and/or wages/salaries increase in the period between conclusion of the contract and delivery, or if there is a period of more than four months between purchase order and delivery schedule.

3. In the absence of an agreement to the contrary our invoices shall be due and payable in full, net cash, without discount of any kind at delivery or acceptance. If OASE grants a cash discount in the payment terms, these terms are valid from the date of the invoice. If a cash discount deduction is expressly agreed, the discount period shall begin with the invoice date.

4. Without further declaration on our part purchaser shall be deemed to be in arrears if payment has not been received 10 days after the due date.

5. If defects are present purchaser shall not be entitled to withhold payment in accordance with Article 273 of the German Civil Code, unless the delivery is clearly defective, or unless purchaser clearly has a right to refuse acceptance of the work. In these cases purchaser shall only be authorised to withhold payment in the amount of the claim for remuneration if the amount withheld is in an appropriate relationship to the defects and to the presumable costs of supplemental performance, primarily through repair. Undisputed or legally established claims are excluded from this restriction. Other rights to withhold or rights to refuse performance that do not fall under Articles 273, 320 of the German civil code are excluded unless they are undisputed or are legally established.

6. The purchaser shall only offset with such receivables that are undisputed or that are legally enforceable.

III. Delivery time/delayed delivery

1. Information relative to delivery times is nonbinding. The prerequisite for compliance with the delivery period shall be fulfilment of purchaser's contractual obligations. Delivery periods shall start when the contract is concluded at the earliest, however delivery periods shall not start not unless there is complete provision of documents, releases, technical clarifications, etc. that purchaser is obligated to provide. Retroactive requests for modification or supplementation extend the delivery period accordingly. The period is deemed to be complied with if the delivery item has left our plant by the date on which the delivery period expires, or if we have communicated our readiness to ship, should the goods not be sent at the proper through no fault of OASE GmbH. Likewise a delivery period shall be appropriately extended if unforeseen events or force majeure occurs.

2. If there is a delay in delivery for which we are responsible, then after a written reminder, purchaser can specify an additional appropriate period, with the statement that purchaser shall refuse acceptance of the object of the contract upon expiration of said period. Purchaser shall be authorised to withdraw from the contract by providing written declaration only after fruitless expiration of the subsequent period, and all other legal requirements. If purchaser withdraws from the contract, then purchaser shall have no right to demand damages for non-fulfilment.

IV. Transfer of risk and acceptance

1. Risk is transferred to purchaser when the delivery items are sent, even in the case of partial shipments, or if we have taken responsibility for other performances, such as the shipment and its costs, or installation. We shall be authorised to make partial shipments and partial performances that the customer can be reasonably expected to accept.

2. If shipment is delayed due to circumstances for which purchaser is responsible, then the risk shall be transferred to purchaser from the day OASE GmbH is ready to ship. We shall be authorised to send the goods to purchaser if purchaser delays acceptance; or alternatively to store the goods at purchaser's costs and risk.

3. Delivered objects shall be accepted by purchaser, even if they exhibit insignificant defects, without prejudice to the rights set forth in Roman numeral VI.

V. Retention of title

1. We shall retain title to the delivery item until all payments arising from the business relationship with purchaser have been received; retention of title is based on the recognised balance.

2. If the object of sale is combined with other objects that do not belong to us, then we shall acquire joint ownership to the new object in the ratio of the object of sale's value to the value of the associated objects at the time they were combined. If said objects are combined in such a manner that purchaser's object of purchase is deemed to be the main object, then it is agreed that purchaser shall transfer proportional joint ownership to OASE GmbH. Purchaser shall preserve the sole or joint ownership that thus arises for us. Purchaser shall also transfer to OASE GmbH the receivables from a third party, to which purchaser is entitled due to the combination of the object of sale with an item and/or an object, in the amount of our sales proceeds, or that occurs through resale in this amount; however this shall only be permitted in the proper course of business. Purchaser shall not be authorised to otherwise dispose of the reserved goods, particularly for transfer of title for security, and/or pledge.

3. We shall be authorised to collect said receivable ourselves if purchaser does not honour his payment obligations. In this case purchaser shall be obligated to provide to us the information necessary to legally assert our rights against purchaser's customer, and to provide us with all required documents.

4. On purchaser's request at our discretion we shall release an appropriate portion of the security interest, if the realisable value of such interest shall exceed the amount of all claims to which we are entitled by more than 10%.

VI. Notification of defect and liability for defects

1. If purchaser is an entrepreneur, each of our deliveries shall be checked immediately for completeness and freedom from defects. After delivery purchaser shall report apparent defects, and defects that are apparent after proper examination, in writing, without delay. The entrepreneur must report each defect detected in writing without delay. The written report must contain a precise description of the defect.

When picking up the goods, or when the goods are delivered purchaser shall be obligated to acknowledge the condition of the goods himself, or to have the condition of the goods acknowledged by an authorised third party. A short delivery shall not constitute a defect, nor shall an incorrect delivery constitute a defect; in these cases we are authorised to make an additional delivery, if requested.

2. If the goods are defective due to a delivery transaction, then we shall be authorised to either replace or repair at our discretion. In the first instance purchaser's claims due to a defect in the object of sale are limited to supplementary performance. If after two reasonable attempts supplementary performance proves to be conclusively unsuccessful, then purchaser shall have the right to withhold payment, to reduce payment, or if the defect is significant, to withdraw from the contract.

3. Claims for damage compensation do not exist in the case of insignificant deviation from an agreed quality, or for insignificant impairment of usability.

4. If purchaser elects to withdraw from the contract after failed supplemental performance due to material defect of a delivery, then purchaser shall not be entitled to additional claims for damages. If after failed supplemental performance, purchaser elects to claim damages, then the goods shall remain with the purchaser if this is acceptable to purchaser. Replacement shall be limited to the difference between purchase price and the value of the defective item. This shall not apply if OASE GmbH wilfully or through gross negligence caused the violation of the contractual obligation.

5. Purchaser shall be obligated to provide OASE GmbH with the required time and opportunity to undertake all repairs and replacements deemed necessary after coordination; otherwise OASE GmbH shall be released from liability for the defect. Only if we are in arrears in correcting the defect shall purchaser have the right, after a reminder and specifying an additional appropriate period, to correct the defect himself, or have said defect corrected by a third party, and to demand reimbursement of appropriate costs from us.

6. The limitation period for claims and rights due to defects - regardless of legal grounds - shall be 1 year, whether for delivery or installation / contract for work and labour. This period shall also apply for other claims for damages on the part of purchaser, regardless of legal basis, except in the case of intent, guarantee violation, or malicious concealment of defects, or in the case of claims in accordance with the German Product Liability Act, and for culpable violation of essential contract obligations on the part of OASE GmbH.

7. Notification of defect shall not expressly restrict the period of limitation for guarantee claims if after verifying the causes of the defect, we determine that we are not responsible for the defect, and communicate this information.

8. We shall not be held liable for damage that is due to unsuitable or improper use, for incorrect handling on the part of purchaser or a third party, or damage that occurs through natural wear or negligent treatment, unsuitable cleaning and care, chemical and or mechanical influence, for which we are not at fault.

9. If consequent to a notification of defect on the part of the ordering party OASE should determine when checking the goods that are the object of the notification of defect that the defect is not the responsibility of OASE, but rather that the defect is due to an operating error or improper handling, then OASE shall be authorised to bill the ordering party a flat rate service charge of 19.90 € plus VAT, plus shipping costs per product for the work load incurred. OASE shall bill a flat-rate service charge in the equivalent amount for any expenses incurred due to violations of purchaser's contract obligations or due to impermissible actions, if additional costs are incurred.

10. Liability shall be excluded in the case of negligent violation of contractual obligations. In the case of gross negligence our liability shall be limited to the damage that is contractually anticipated, this provision applies in equal measure for violation of essential contractual obligations. In all other regards we shall be liable in accordance with the German Product Liability Act for injury to life, body or health, or due to culpable violation of essential contractual obligations. Right of recourse in accordance with Article 478 of the German Civil Code shall remain unaffected with the stipulation that OASE shall have the right to settle recourse cases through supplementary performance either through repair or replacement delivery, at our discretion.

VII. Conditions governing the return of goods

Regardless of the claims regulated in number VI, if defects are present OASE shall take back defect-free delivered goods only on a case-base basis, and after prior written approval has been issued before the return shipment; take-back of products with an order value of under 100.00 € shall always be excluded for economic reasons.

The prerequisite for concluding a send back agreement in every case shall be that the goods that will be returned are in perfect faultless condition, including the packaging of said goods, and that said goods correspond to the current product line as shown in the catalogue.

If a send back agreement should be concluded, then the ordering party shall be obligated to include a copy of the invoice, a copy of the delivery ticket, and the return authorisation, with the return shipment. The ordering party shall bear the transport risk for the return shipment. Return shipments should not be sent freight collect, otherwise OASE shall be authorised to refuse acceptance of the return shipment.

For the entire handling and administration expenses, as well as the risk of reselling the returned products OASE will deduct 30% from the invoiced net value of the goods.

VIII. Liability for secondary obligations

1. Our technical application advice as well as recommendations, calculations, drawings, and project planning merely illustrate the best possible use of our products, they are provided as approximations only, and are non-binding. They do not release purchaser from his obligation to verify for himself that our products are suitable for purchaser's intended purpose.

2. If the contractual object cannot be used as stipulated in the contract due to culpable violation of secondary obligations to which we are obligated, even prior to conclusion of contract; for example due to omitted or incorrect consulting, or incorrect instructions, then under exclusion of additional claims on the part of purchaser, the provision set forth under Roman numeral VI no. 5 - 8 shall apply accordingly for our liability.

IX. Samples, drawings

We shall reserve the title and copyright to samples, drawings, and other documents. They shall not be made available to unauthorized third parties and must be returned to us on request.

X. Place of fulfillment, applicable law, legal venue

1. Place of performance for all deliveries and payments shall be the company's headquarters in Horstel.

2. German law shall apply exclusively. The uniform law on the international sale of goods (CISG) shall not apply.

3. The place of jurisdiction shall be the location of OASE's registered office.

XI. Severability clause

Invalidation of any one of the provisions in this contract shall not affect the validity of the other provisions.



OASE GmbH
Tecklenburger Str. 161
48469 Hörstel
Germany
☎ +49 5454 80-0
☎ +49 5454 80-9253
✉ info@oase-livingwater.com

OASE S.A.
Avenue de la Marne
Parc du Molinel
Bât F – Rez de Chaussée
59290 WASQUEHAL
France
☎ +33 3 20 82 00 45
☎ +33 3 20 82 99 32
✉ info.fr@oase-livingwater.com

OASE Türkiye
Barbaros Mh.Ihlamur (Hasat sk) No:3
Uphill Towers B Blok D:55
34746 Atasehir / Istanbul
☎ +90 216 688 14 60
☎ +90 216 688 14 57
✉ info.tr@oase-livingwater.com

OASE North America, Inc.
721 N Poplar St
Orange
CA 92868
USA
☎ +1 800 365 3880
☎ +1 800 262 7339
✉ info.na@oase-livingwater.com

OASE (UK) LTD.
The Old Cart Shed
Apsley Barns
Andover
Hampshire SP11 6NA
United Kingdom
☎ +44 1256 8968 86
☎ +44 1256 8964 89
✉ enquiries@oase-livingwater.com

OASE ESPAÑA Casa y Jardín S.L.U.
C/Polea 1
28522 Rivas Vaciamadrid
Madrid
Spain
☎ +34 91 499 07 29
☎ +34 91 666 56 87
✉ info.es@oase-livingwater.com

OASE Asia Pacific PTE Ltd.
7030 Ang Mo Kio Ave 5
#08-69
Northstar@Ang Mo Kio
Singapore 569880
☎ +65 6337 2838
☎ +65 6337 6878
✉ info@oase-livingwater.com.sg

**OASE Italia Srl
(former Eden Srl)**
Via delle Industrie, 16
36050 Cartigliano (VI)
Italy
☎ +39 042 45 90 866
☎ +39 042 48 27 342
✉ info@edensrl.com

OASE B.V.
Dooren 107
1785 Merchtem
België/Belgique
☎ +31 900 246 22 10
☎ +31 800 023 01 86
✉ info.nl@oase-livingwater.com (NL)

OASE Kereskedelmi Kft
Buda Center
Budapest I
Hegyalja út 7-13
1016 Budapest
Hungary
☎ +36 1 393 50 40
☎ +36 1 393 50 41
✉ info.hu@oase-livingwater.com

OASE Middle East FZE
Dubai Airport Freezone
East Wing Building 1E Unit 202
P.O. Box 54966
Dubai, U.A.E
☎ +971 4 2994847
✉ uae@oase-livingwater.com

OASE B.V.B.A.
Dooren 107
1785 Merchtem
België/Belgique
☎ +32 52 48 47 60
☎ +32 52 48 47 61
✉ info.be@oase-livingwater.com (B)

OASE Spółka z o.o.
Al. Jerozolimskie 200 lok. 538
02-486 Warsaw
Poland
☎ +48 2 23 23 71 13
☎ +48 2 23 23 71 15
✉ info.pl@oase-livingwater.com

OASE China
No. 80 North Dongting Road
Taicang, Jiangsu
China
☎ +86 512 5371 9709
☎ +86 512 5371 9555
✉ weibo@oase-livingwater.cn

www.oase-livingwater.com