

FOUNTAIN TECHNOLOGY & LAKE MANAGEMENT

CATALOGUE FOR DEALERS AND DISTRIBUTORS



CONTENTS

Impressions	4
-------------------	---

NOZZLES

Controllable Nozzles

Jumping Jet Rainbow Star	12
Jumping Jet Rainbow Flash	14
Vario Switch.....	16
Multi Directional Drive.....	18
Air Nozzle.....	20
FlashWall	22

Classic Nozzles

Comet-Silver	26
Comet T	28
Hollow Jet nozzles	30
High Jet / Geyser Jet.....	32
Lava.....	33
Water sphere / hemisphere.....	34
Gushing nozzle / Fan Jet.....	36
Water Screen Nozzle.....	38
Grand Vulcan / Trumpet Jet.....	40
Vulcan	41
Rotating Nozzle	42
Schaumspudler	44
Cascade	48
Geyser	52
Mylar Lace.....	56

FLOATING FOUNTAINS

Pond-Jet.....	60
MIDI II/MAXI II.....	62
Fountain attachments	64
Illumination sets	66

PUMPS

Controllable Pumps

Varionaut.....	70
----------------	----

Classic Pumps

Water feature pumps.....	78
Universal pumps	82
Block centrifugal pumps.....	84
Submersible motor-driven pumps.....	86

ILLUMINATION

LED Technology

RGB-LED light	94
ProfiLux LED 320 /DMX/02.....	94
ProfiRing LED 320 /DMX/02.....	96
ProfiPlane LED 320 /DMX/02.....	98
Underwater LED Driver /DMX/02	100
Warm white light	
ProfiLux LED 370 12 V /01.....	102
ProfiLux LED 370 24 V /01.....	102
LunAqua 10 LED /01.....	102

Halogen spotlights

ProfiLux 101 E	104
LunAqua 10	104
LunAqua 5.1.....	106
UWS TN 508.....	106
UWS T 111/TS 111.....	108
Lamp Holder	110
Freestand Light	110

POWER – MEASURE – CONTROL– REGULATE

Cable transition armatures	114
Underwater cable connectors	116
Connection cable 12V AC/24 V DC	118
Connection cable DMX	120
Extension cable hybrid.....	120
Electrical control systems	124
Easy Control.....	126
WECS 1024 and 2048	128
Water level regulators.....	132
Solenoid valves	132
Water level sensors	134
Wind level fountain controller	136
Command Center.....	138

WATER QUALITY

Configuration chart.....	142
Aerators page	144
UVC Clarifiers	148
Flow through filters.....	150
Modular filters	152
Crystal quartz sand filter.....	162
»Clear Fountain System«.....	166
Water treatment	167
»Clear Lake System«.....	168
Surface skimmers	170
Water quality.....	172

SWIMPOND

Care and treatment.....	176
SwimPond individual.....	178

ACCESSORIES

Underground niches	182
Floor drain armatures.....	184
Overflow / Drain armatures.....	186
Return armatures.....	188
Inflow nozzles	190
Floor-/wall transitions	190
Overflow-/return armatures	192
Suction filter baskets.....	194
Fittings.....	196

MISCELLANEOUS

Alphabetical Product Overview.....	198
Product Overview by order no	200
Explanatory notes.....	202
New product names.....	203
List of abbreviations.....	203
Conversion tables	204
Order-related products	205
OASE-Commercial Quickfinder	206



Dear OASE Partner,

We are very pleased to introduce our new handbook, “Fountain Technology & Lake Management”, to you. As an internationally active enterprise, we ensure enthusiasm in more than 95 countries every day with breathtaking shows of water and light. We would like to impart this passion to you with our innovative new products and ingenious ideas. Here is our news: Here is our news:

Innovative and clever: The new products

This year we are particularly proud of our innovations in the product areas of remote activation DMX/RDM pumps, LED lighting in RGB and high-quality fountain nozzles and fittings.

The new generation of **Varionaut pumps** convinces with clever DMX activation, which is failsafe thanks to symmetric data transmission. Now all pumps of this series are compatible with the new generation of RMD technology. Because this “Remote Device Management” communicates bi-directionally in the component network of pumps, spotlights, and nozzles, the

entire installation is extremely easy - simply “Plug and Spray”!

For you this means: intelligent, easy and direct activation of these pumps!

Likewise, the new product series of **LED illumination in RGB** is also based on DMX/RDM communication. These lights can be used flexibly in different installation situations, bringing fascinating colours into every water creation. Extremely robust in workmanship, they can be used in any kind of water: fresh water, pool water or salt water.

The new **Comet fountain nozzles** now have a modern stainless steel look. Thanks to a special high quality chrome plated and nickel-plated brass, they are perfect for every installation site.

This product network is rounded off with an extensive assortment of **fittings**. With these clever connection modules, you now have the optimally matched elements for installation of OASE components, systems and projects.

Application example



Quickfinder:

Product performance

	Fresh Water	Pool Water	Sea Water	220-240 V	400 V	110-120 V	50 Hz	60 Hz	12 V AC	24 V DC	DMX	DMX/RDM	Plug and spray
Varionaut 90 24V/DMX/02	✓	✓	✓	✓	✓	✓	✓	✓	✓	✓	✓	✓	✓
Varionaut 1 /A/DMX/01	✓	✓	✓	✓	✓	✓	✓	✓	✓	✓	✓	✓	✓

Product name

VARIONAUT 90 24V/DMX/02, VARIONAUT 1

A 24 V/DC indoor and outdoor fountain pump which is suitable for underwater application directly below the nozzles. It fulfills the national regulations of DC current up to 30 V. Any single pump can be individually regulated and controlled via the DMX/RDM connection. That way dynamic water effects can be created easily.

other consumer loads (e.g. LED spotlights) can be connected easily to DMX/RDM of the pump.

Product characteristics at a glance

- 24 Volt DC continuous current indoor and outdoor fountain pump
- Can be placed directly below the nozzles in the water as DC up to 30V/DC is approved by national regulations
- Suitable for wet or dry installation
- Power consumption of max. 53 W
- Reverse polarity protection
- 1m power cable with power box and 1m DMX cable with DMX box
- Frost protected up to -20° C
- IP 68 rated

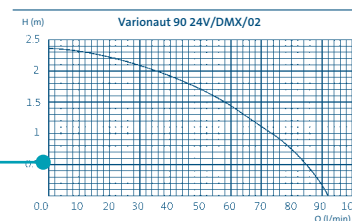
Product characteristics at a glance

The Varionaut 90 or Varionaut 1/A itself produces water displays of up to 1.90 m height – in combination with Comet 5-8 Silver nozzles. It comes with a high-quality stainless steel filter housing, along with 2 connection boxes for the 24 V power supply (only the Varionaut 90) and DMX data source. Through this special connection technology, wiring by hand is no longer necessary. Spotlights and

Product image



Varionaut 90 24V/DMX/02



Pump performance curve

Note:

Further information can be found at the back.

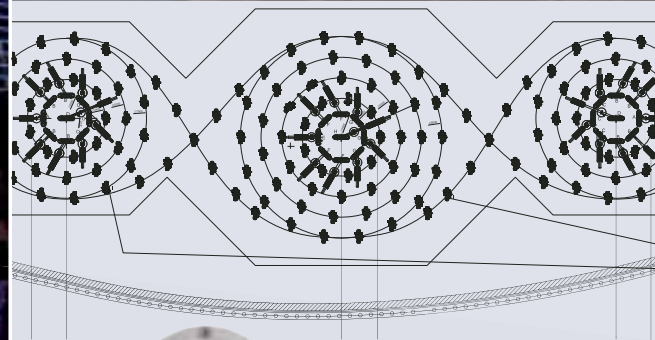
	Product performance	Product performance
Product name	✓	✓
	yes	no

Fast and easy: The new Quickfinder

In addition to passion for these innovative new products, it is just as important to us that you maintain an overview, as well. The clever Quickfinder has now been newly developed to find the core features and advantages of the products at a glance. In seconds you know whether the pumps work with a frequency of 50 or 60 Hz and 12 or 24 V, whether they have a DMX controller or already have a DMX/RDM controller, or whether they are suitable for fresh water, pool water or salt water.

Reliable and precise: OASE quality assurance

“German engineering”, lasting quality and premium workmanship are our guideline principles. We place extremely rigorous demands on our quality assurance, so that you can rely on us 100%. Equipped with state-of-the-art quality management control mechanisms, we are able to deliver products of the highest quality to you.



DISCOVER THE WORLD OF OASE FOUNTAIN TECHNOLOGY AND LAKE MANAGEMENT

1. Design and product development from Germany

OASE has been passionate about water for decades. It is in larger-dimensioned projects in particular that we can really live out this passion. With fascinating choreographies of water and light effects, we create enthusiasm and make every show an unforgettable experience. Consequently, we place great value on unusual and breathtaking designs, unique in terms of creativity and innovation. Our engineers in Germany work daily on implementing these customized ideas in detailed planning and reliable product development. Our German engineering guarantees first-class product functions and high-quality workmanship. Thanks to the clever system technology from OASE, our products are perfectly matched, thus enabling entirely individual combinations.

Discover our latest breathtaking show project “Crane Dance” at www.oase-livingwater.com.

2. Project-accompanying engineering and reliable after-sales service

Each project demands the utmost concentration, commitment, reliability and most of all, punctuality. The larger the project, the more complex the collaboration in the entire network of the participating partners. Consequently, it is particularly important for us to support each of our partners to the best of our ability during the construction phase. With competent and professional consulting, detailed planning and understandable drawings, we are available 24/7. Even after completion of a project, we are there for our partners with fast and uncomplicated support.

Where partnership matters, you can count on us!



3. Environment and safety

As a leading supplier in things dealing with water, the environment is of special concern to us. Consequently we also contribute extensively to conservation of resources; we do not take clean water and a permanent energy supply for granted. As a “green company”, we have focus on energy-saving products that achieve the highest possible performance with the lowest possible energy consumption. This energy efficiency is of particular benefit for products that are designed for continuous operation, such as our Varionaut pumps and LED-lights.

Environmental compatibility during the entire production process is vitally important to us. Constantly working on integrating even more efficiency and environmental consciousness, underline our commitment to nature conservation.

In addition to innovation, long service life and reliability, OASE also stands for safety.

This is why we have developed a unique IP 68 underwater connection technology (patent applied for) that functions perfectly even in sea water and where chlorine is used. The optimally matched system, consisting of connecting cables, transformers, and power units, guarantees, through the axial flat seal with integrated capillary barrier, transverse and longitudinal water impermeability in water up to 4 meters deep - and in the cable plugs, as well as in the associated connection boxes (Power Box and DMX Box).

Thus, installation of the entire plug system is extremely safe; the reverse polarity protected 24 V DC plugs prevent short circuiting.



4. Effective manufacturing processes

In a project many processes run simultaneously toward a final goal. Consequently, it is indispensable for us to work together closely right from the start. Our effective processes guarantee a smooth production procedure, where we place particular value on workmanship of high-quality and durable materials and continuous quality control. Moreover, our experts are constantly working on optimizing the manufacturing steps to ensure the best performance for you.

5. Quality assurance with sophisticated testing Technology

The key to OASE's success is being able to fulfil requirements and expectations of our customers. Therefore, we need high quality products and well organized business processes.

Our team of engineers and technicians use modern quality management tools to guarantee a stable high quality level of our products and successful project management. E.g. Failure Mode and Effects Analysis, MeanTime to Failure-calculation and complex test procedures ensure an error-free function of our innovative products. Shop floor management and statistical process control are the basis for our continuous process improvement on our production lines. Our entire supply chain is controlled by our quality engineers. An excellent long term business relationship to our suppliers leads to high flexibility in our project management.



6. OASE project management



The OASE management concept sees itself as a network manager that combines all service performance in every aspect of the project. From an initial idea our designers produce fascinating creations of water and light which are then implemented by OASE Project Management in real multimedia fountain installations. For the entire project duration from design, engineering, followed by production and installation, to hand over and finally after-sales service, OASE is your turnkey partner.

OASE project management places the utmost value on adhering to deadlines, budget and quality.

7. OASE website



Be inspired! In the global OASE network of premium partners, reliable service, first-class product systems and individual components, unique creations which captivate are produced. Discover how OASE projects are fascinating people around the world!

In addition to graphic and video material, you will also find detailed information on the products used.

Here you will find new inspiration and ideas for your planning - it's easy at www.oase-livingwater.com

If you wish to know more, our worldwide sales team is there for you at any time. Simply contact us:

Contact OASE

www.oase-livingwater.com/oasecontact

Contact the OASE premium partners

www.oase-livingwater.com/oasedealer

MARDAN PALACE HOTEL**Location:****Antalya, Turkey**

Reminding of Arabian Nights, the site of Mardan Palace Hotel in Antalya, Turkey is one of the most exclusive Hotels in the Mediterranean. The installation combines water with laser and LED light and impresses by underlining the unique terrace architecture.

OASE reference object



CONTROLLABLE NOZZLES

WATER HAS A THOUSAND FACES. SOMETIMES IT SHOOTS UP HIGH, THEN SPLASHES AND BUBBLES EXUBERANTLY, OR IT IS TOTALLY STILL AND GENTLE. AND IT DOES ALL OF THIS WITH NOZZLES FROM OASE.

Every location has its very special unique atmosphere. A public square, in the heart of the city looks different in Paris than it does in Dubai. An artistically designed park can give a sense of tranquil strength or contemplative well-being. Spray fountains and fountains from OASE enable you to experience and engage with the particularities of a location and to use water to the best advantage of that location. Depending on the form and size of a water feature you can effectively enhance the location's atmosphere or introduce an exciting counterpoint. And you are always co-designer of this location; director on the wonderful stage of life.

The OASE product range offers you a variety of possibilities to place your creativity and intuition at the service of a particular location and to vitally shape its atmosphere with water.

We tell classic nozzles from controllable nozzles. Controllable nozzles are nozzles which could be electronically controlled to provide a range of effects. For example the nozzle Jumping Jet Rainbow Flash is DMX/RDM controlled. We can cut the water stream or close the water stream, using individual controlled systems.

The classic nozzles, for example the Comet or Schaumsprudler nozzle have a static and pre-determined. If these nozzles are combined with controllable Pumps (Varionaut) then the interactive and display possibilities increase. When combined with classic pumps they produce a more conventional static water display.



Jumping Jet Rainbow Flash II

• Controllable Nozzles

Jumping Jet Rainbow Star	page 12
Jumping Jet Rainbow Flash	page 14
Vario Switch	page 16
Multi Directional Drive	page 18
Air Nozzle	page 20
FlashWall	page 22



	Fresh Water	Pool Water	Sea Water	220-240 V	400 V	110-120 V	50 Hz	60 Hz	12 V AC	24 V DC	DMX	DMX/RDM	Plug and Spray
Jumping Jet Rainbow Star	✓	✓	✓	✓	✓	✓	✓	✓	✓	✓	✓	✓	✓

JUMPING JET RAINBOW STAR

Water jets magically shoot through the air in broad arcs and disappear, just as unexpectedly as they appeared – Jumping Jet systems are the attraction in leisure parks and amusement parks, in discotheques, at trade shows, exhibitions, and other events.

The combination possibilities give the system an individual flair: The colour of the integrated RGB-light can be freely selected and can be supported in its effect by numerous switchable run-

ning light functions. Alternatively the laminar water jet can also have a cutting effect to produce short sections of laminar water.

Product characteristics at a glance

- Can be used indoors and outdoors
- Selectable RGB-LED light
- Switchable running light function
- Laminar water jet
- Cut off function



Jumping Jet Rainbow Star



Jumping Jet Rainbow Star



Technical note

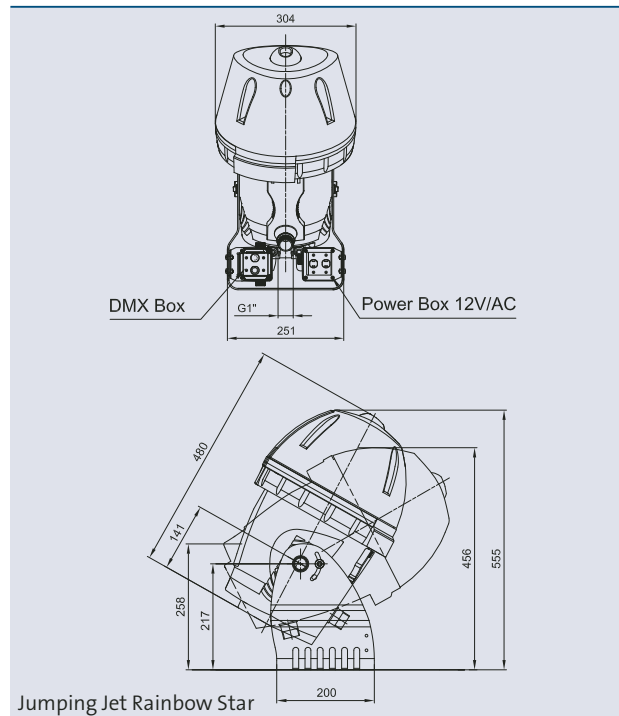
With the respective pump and control technique you can reach different water parabolas (see graphic below). An ideal pump for these effects is the **Varionaut**, see pages 70-75.

When operating the Rainbow-Star, water can splash, particularly with water jets that are shot quickly in succession; the amount is approx. 2 litres per hour. The amount of splash water is negligible if the water jet is operated as a full, continuous parabola (see graphic).

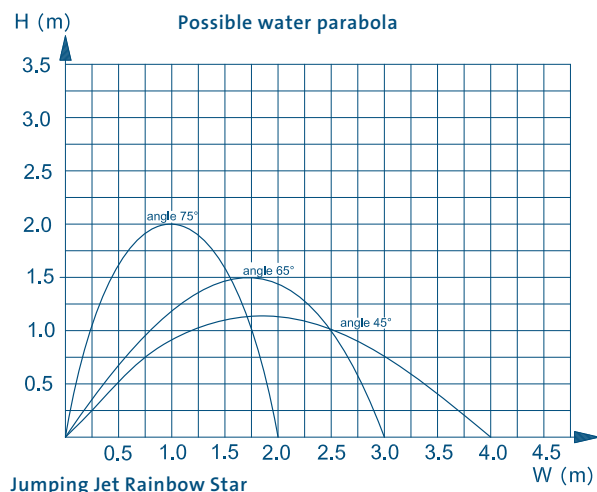
The water must be clean in order to transport light via the water jet. The target point can only be illuminated by the parabola if the water is clear.

Accessories (must be ordered separately)

Aquarius Universal 5000 (see page 78)	56617
Installation kit JumpingJet Rainbow Star (see page 197)	51058
Connecting cable DMX/01 (see page 120)	Order no.
Connecting cable DMX/1.0 m/01	12368
Connecting cable DMX/3.0 m/01	12369
Connecting cable DMX/5.0 m/01	12371
Connecting cable DMX/10.0 m/01	12372
Connecting cable DMX/20.0 m/01	12373
End Resistant for Bus-System DMX/01	12007
Connecting cable 12V AC/01 (see page 118)	Order no.
Connecting cable 12V AC /1.0 m/01	12768
Connecting cable 12V AC /3.0 m/01	12374
Connecting cable 12V AC /7.5 m/01	12375
Connecting cable 12V AC /15.0 m/01	11740
PowerBox 12 V AC / 01 (see page 118)	50493
Underwater transformer UST 150 / 01 (see page 122)	50401
Underwater transformer UST 150 / A / 01 (s. page 122)	50517
Easy Control (see page 126)	50289
Easy Control (see page 126)	50175
WECS 1024 (see page 128)	50596
WECS 2048 (see page 128)	50597



45° Parabola	Jumping Jet Rainbow Star /DMX/01		
Fountain width [m]	DWB [l/min]	DDB [bar]	Fountain height [m]
1.5	16	0.10	0.68
2	20	0.12	0.81
3	24	0.17	1.04
4	28	0.22	1.28
Order no.	50345		



Jumping Jet Rainbow Star /DMX/01	
Dimensions (L x W x H)	[mm] 478 x 305 x 555
Light type	LED RGB multiple spotlights
Rated voltage (mechanical/illumination) [V/AC]	12
Power consumption (mechanical/illumination) [W]	33
Jet diameter	[mm] 12
Min. water depth	[mm] 200
Max. water depth	[mm] 300
Vertical pivoting range	[°C] 45 – 90
DMX connection	1 x
Material	stainless steel/plastic
Weight	[kg] 11 kg
Order no.	50345



	Fresh Water	Pool Water	Sea Water	220-240 V	400 V	110-120 V	50 Hz	60 Hz	12 V AC	24 V DC	DMX	DMX/RDM	Plug and Spray
Jumping Jet Rainbow Flash	✓	✓	✓	✓	✓	✓	✓	✓	✓	✓	✓	✓	✓

JUMPING JET RAINBOW FLASH II / DMX / 02

The new generation of Jumping Jet Rainbow Flash combines functionality and virtually unlimited creative freedom. Now the Jumping Jet Rainbow Flash II can be arranged wet or dry. This generation can be used without water cooling.

The combination possibilities give the system an individual flair: The laminar water jet can also have cutting effects. The colour of the integrated RGB-light can be freely selected. Now it is possible using only one rated voltage of 12V/AC and only one control box of DMX/RDM for illumination and mechanic.

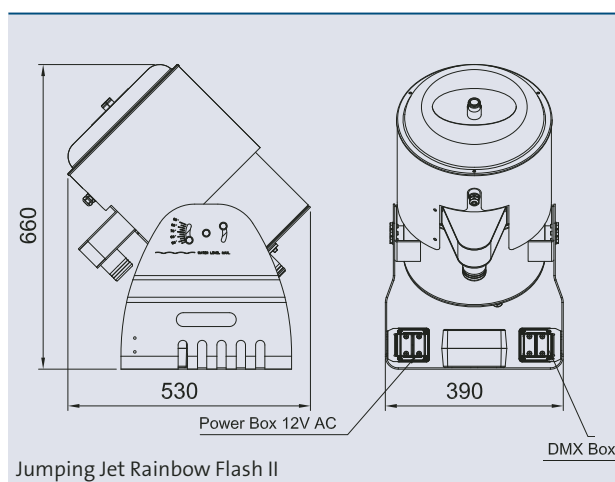
Product characteristics at a glance

- Can be used indoors and outdoors with dry installation technology
- Surprising water features, dynamic parabola possible
- Precise, crystal clear water jets
- Jet diameter 18 mm
- Integrated illumination effects with strong RGB-LED light
- Cut off function
- RDM-DMX capable (combine with WECS)
- Vibration-free, quiet operation
- Extremely stable - with or without floor anchoring
- Compact stainless steel design
- Sea water Jumping Jet Rainbow Flash II on request

INNOVATION – MADE BY OASE



Jumping Jet Rainbow Flash II



Jumping Jet Rainbow Flash II

Technical note

When operating the Rainbow-Flash, water can splash, particularly with water jets that are shot quickly in succession; the amount is approx. 2 litres per hour. The amount of splash water is negligible if the water jet is operated as a full, continuous parabola.

The water must be clean in order to transport light via the water jet. The target point can only be illuminated by the parabola (see graphic on right) if the water is clear.

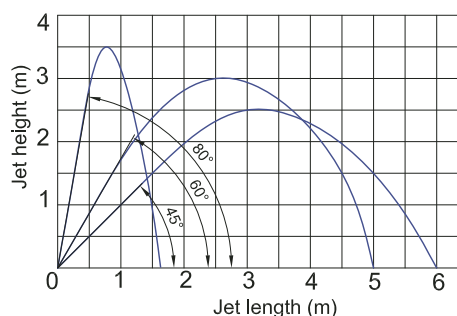
45° Parabola		Jumping Jet Rainbow Flash II/DMX/02	
Fountain width	DWB [l/min]	DDB [bar]	
1.25 m	30	0.10	
2.00 m	36	0.15	
3.00 m	46	0.20	
4.00 m	54	0.25	
5.00 m	63	0.30	
6.00 m	72	0.35	
Order no.		50528	

A

*Hose to be laid without sharp bends
*Hose outlet must be free and over water level

	X Tube length [m]	Y min [m]
45°	0-3	0.1
	4	0.5
	5	1
	6	1.5
	6	1.5
80°	0-3	1
	4	1
	5	1.5
	6	1.5

B



Accessories (must be ordered separately)

Atlantis 100 (see page 79)	51038
Connecting cable DMX/01 (see page 120)	Order no.
Connecting cable DMX/1.0 m/01	12368
Connecting cable DMX/3.0 m/01	12369
Connecting cable DMX/5.0 m/01	12371
Connecting cable DMX/10.0 m/01	12372
Connecting cable DMX/20.0 m/01	12373
End Resistant for Bus-System DMX/01	12007
Connecting cable 12V AC/01 (see page 118)	Order no.
Connecting cable 12V AC /1.0 m/01	12768
Connecting cable 12V AC /3.0 m/01	12374
Connecting cable 12V AC /7.5 m/01	12375
Connecting cable 12V AC /15.0 m/01	11740
PowerBox 12 V AC / 01 (see page 118)	50493
Underwater transformer UST 150 / 01 (see page 122)	50401
Underwater transformer UST 150 / A / 01 (see page 122)	50517
Easy Control (see page 126)	50289
Easy Control (see page 126)	50175
WECS 1024 (see page 128)	50596
WECS 2048 (see page 128)	50597

Jumping Jet Rainbow Flash II / DMX / 02		
Dimensions (length/width/height)	[mm]	530x390x660
Light type		LED RGB multiple spotlight
Rated voltage mechanic and illumination	[V/AC]	12
total consumption	[W]	20
Jet diameter	[mm]	Ø18
Max. water parabola laminar with light	[m]	6
Max. water parabola laminar	[m]	7
Max. pressure	[bar]	0.5
Max. water depth (wet installation)	[mm]	250
Vertical pivoting range	[°C]	45 - 90
Pressure side connection		Hose connection 1 1/2"
Outflow side connection		Hose connection 2"
RDM-DMX connection		1 box
Number of DMX channels		8 channels, start number 1
Material		Stainless steel / UV stabilized polymer
Weight	[kg]	50
Environmental condition: submersible application	[°C]	Water temperatur: min 4°C to max. 35°C
Environmental condition: dry application	[°C]	Ambient temperature: max. 30°C with natural convection, max. 40 with forced convection, no direct sun exposure permitted
Order no.		50528

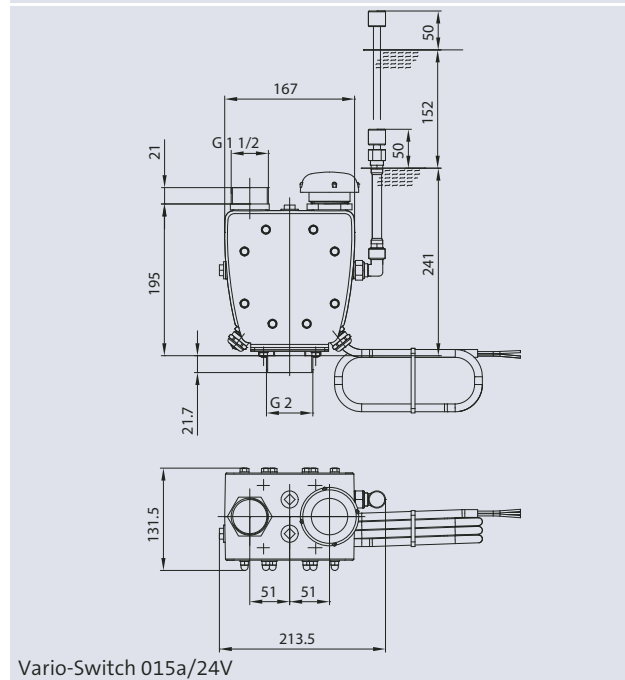
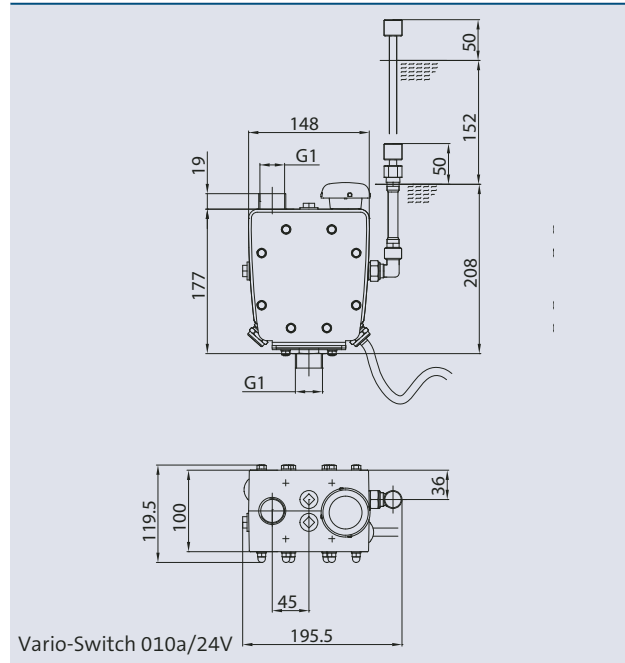


	Fresh Water	Pool Water	Sea Water	50 Hz	60 Hz	12 V AC	24 V DC
V.Switch 010a/12 V							
V.Switch 010a/24 V							
V.Switch 015a/12 V							
V.Switch 015a/24 V							

V A R I O - S W I T C H

Product characteristics at a glance

- Dynamically variable water effect for musical water organs or interactive water effects
- Thanks to the Coanda effect switchover is virtually executed without pressure loss
- Power-saving electrical valve technology
- Stable construction and stainless steel side pieces
- With four-core connection cable provided by contractor
- Low maintenance if there are good water conditions
- No-maintenance membrane valves



In musical water organs or other spray fountain installations with dynamic elements water becomes lively with help from Vario switch systems.

This water switch is combined with a suitable nozzle and switches between two outputs – similar to a 3/2-way valve – almost without pressure loss and without water hammer effects in the lines. Normally one of those outputs is used as a pure bypass, however a second nozzle can also be mounted.

The air supply for alternately switching atmospheric pressure on and off is executed via the telescopic tube using the so-called Coanda effect. Switchover time is flow dependent and times of 0.1 s are certainly achievable.

Accessories (must be ordered separately)

	Order no.
Comet 10-12 T (see page 28)	50968
Comet 10-14 T (see page 28)	50969
Comet 15-17 T (see page 28)	50970
Comet 10-14 T Silver (see page 26)	50723
Comet 15-17 T Silver (see page 26)	50724
Schaumsprudler 35-10 E (see page 44)	50984
Schaumsprudler 55-15 E (see page 44)	50987

Water flow and pressure requirements of the Vario-Switch with different nozzles

Model	Vario-Switch 010a/12V + Vario-Switch 010a/24V						Vario-Switch 015a/12V + Vario-Switch 015a/24V			
	Comet 10-12T		Comet 10-14T		Schaumsprudler 35-10E		Comet 15-17T		Schaumsprudler 55-15E	
Nozzle	DDB	DWB	DDB	DWB	DDB	DWB	DWB	DDB	DDB	DWB
Fountain height [m]	bar	l/min	bar	l/min	bar	l/min	bar	l/min	bar	l/min
0.50	0.21	27	0.25	31	0.42	38	0.16	100	0.50	158
1.00	0.35	37	0.46	40	0.72	49	0.22	123	0.92	209
1.50	0.60	46	0.66	48	0.98	57	0.32	137	1.42	255
2.00	0.72	50	0.86	55	1.22	63	0.42	154	1.92	291
2.50	0.86	55	1.06	61	1.52	70	0.52	168	2.48	322
3.00	1.02	60	1.32	67	1.80	76	0.62	181	2.80	343
3.50	1.22	65	1.55	73	2.10	81	0.72	192		
4.00	1.38	70	1.82	79			0.82	202		
4.50	1.64	75	1.96	82			0.92	214		
5.00	1.82	80	2.18	87			1.02	218		
5.50	2.10	85	3.00	96			1.12	230		

VarioSwitch		010a/12V	010a/24V	015a/12V	015a/24V
Dimensions (LxWxH)	[mm]	150 x 120 x 210	150 x 120 x 210	170 x 130 x 240	170 x 130 x 240
Nominal voltage		12V / AC	24V / DC	12V / AC	24V / DC
Power consumption	[W]	2 x 8	2 x 8	2 x 8	2 x 8
Flow rate min.	[l/min]	35.0	35.0	85.0	85.0
Flow rate max.	[l/min]	95.0	95.0	325.0	325.0
Pressure min.	[bar]	0.1	0.1	0.2	0.2
Pressure max.	[bar]	3.4	3.4	3.0	3.0
Protection class		IP 58	IP 58	IP 58	IP 58
Strainer	[ø mm]	2	2	2	2
Material		Polyacetal / Stainless steel	Polyacetal / Stainless steel	Polyacetal / Stainless steel	Polyacetal / Stainless steel
Weight	[kg]	5.2	5.2	6.7	6.7
Cable length	[m]	2.0	2.0	2.0	2.0
Order no.		50253	57472	50254	57435



	Fresh Water	Pool Water	Sea Water	220-240 V	400 V	110-120 V	50 Hz	60 Hz	12 V AC	24 V DC	DMX	DMX/RDM	Plug and Spray
Multi Directional Drive	✓	✓	✓	✓	✓	✓	✓	✓	✓	✓	✓	✓	✓
LED Modul II 960 / DMX / 02	✓	✓	✓	✓	✓	✓	✓	✓	✓	✓	✓	✓	✓

MULTI DIRECTIONAL DRIVE II /DMX/02

Unique and limitless in its motion: The multidirectional drive sets a new standard in water design.

Thanks to its pivoting range of 200 degrees on the x-axis and 140 degrees on the y-axis, the mobility of the Multi Directional Drive hardly knows any limits and allows countless impressive water effects. It is suitable for a variety of nozzles such as precision or fan nozzles.

Product characteristics at a glance

- Multidimensional Drive, suitable for different nozzle patterns (Comet Prec 20-20 Silver or fan jet 10-20-6 Silver)
- Pivoting range up to 200°/3 sec. on the x-axis and 140° on the y-axis
- 2"-thread nozzle, 2 ½"-thread water
- Robust stainless steel construction
- Controllable by OASE RDM-DMX Devices
(not included in scope of delivery)
- Energy efficient motor, 24 V/ DC

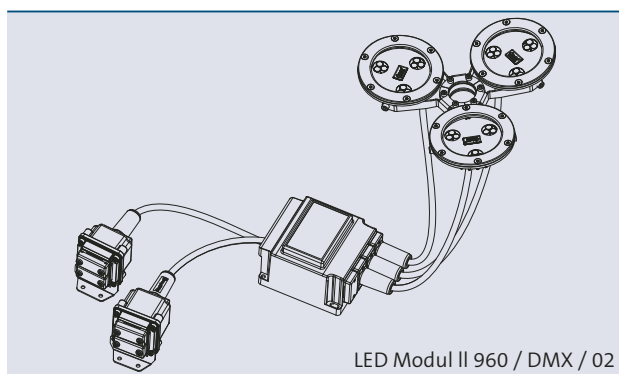
INNOVATION – MADE BY OASE



INNOVATION – MADE BY OASE



	Comet Prec 20-20 silver		Fan Jet 10-20-6 Silver			MDD	Comet Prec 20-20 S on MDD		Fan Jet 10-20-6 S on MDD		
Dimensions (ø x H mm)	60 x 460		65 x 345				ca. 700 x 420 x 1060		ca. 700 x 420 x 935		
Fountain height	DWB	DDB	SPB	DWB	DDB	DDB	DWB	DDB	SPB	DWB	DDB
	l/min	bar	m	l/min	bar	bar	l/min	bar	m	l/min	bar
1.00 [m]	90	0.12	2.00	134	0.13	0.04	90	0.14	2.00	134	0.27
1.50 [m]	102	0.17	3.00	165	0.19	0.06	102	0.21	3.00	165	0.40
2.00 [m]	117	0.22	4.10	195	0.27	0.08	117	0.28	4.10	195	0.55
4.00 [m]	170	0.46				0.11	170	0.51			
6.00 [m]	227	0.69				0.13	227	0.82			
8.00 [m]	263	0.92				0.15	263	1.07			
10.00 [m]	295	1.16				0.18	295	1.34			
12.00 [m]	323	1.40				0.19	323	1.59			
16.00 [m]	385	1.90				0.25	385	2.15			
20.00 [m]	441	2.40				0.35	441	2.75			
Material	Stainless steel										
Weight [kg]	1.55		1.20			ca. 45/35	ca. 46/36		ca. 46/36		
Order no.	50523		50524			50702	50523 + 50702		50524 + 50702		

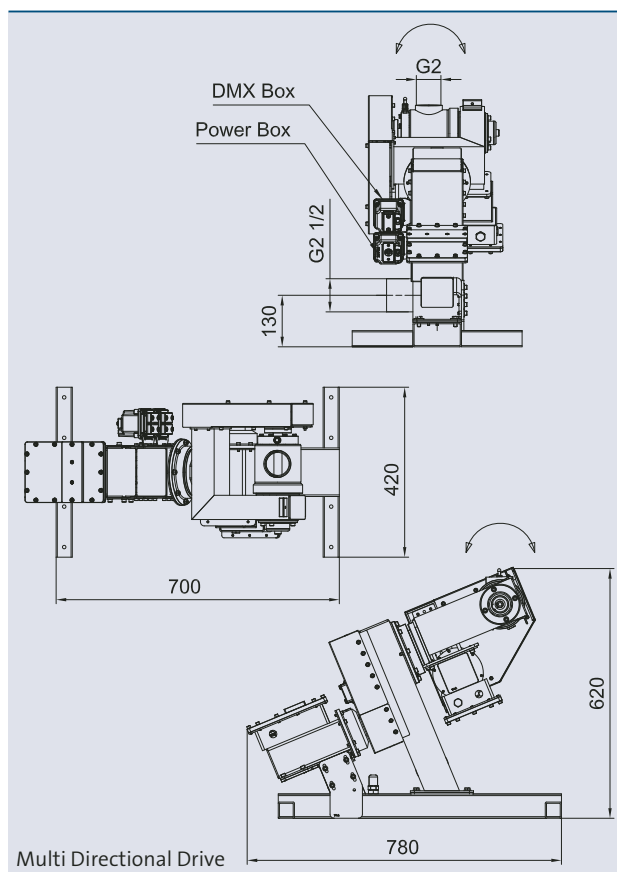


LED Modul II 960 / DMX / 02

LED Modul II 960 / DMX / 02	51069
-----------------------------	-------

Accessories (must be ordered separately)

Comet Prec 20-20 silver (see page 26)	50523
Fan Jet 10-20-6 silver	50524
Underwater power supply 250 / 24 V / 01 (see page 122)	50733
Connecting cable DMX/01 (see page 120)	Order no.
Connecting cable DMX/1.0 m/01	12368
Connecting cable DMX/3.0 m/01	12369
Connecting cable DMX/5.0 m/01	12371
Connecting cable DMX/10.0 m/01	12372
Connecting cable DMX/20.0 m/01	12373
End Resistant for Bus-System DMX/01	12007
Connecting cable 24V DC/01 (see page 118)	Order no.
Connecting cable 24V DC /1.0 m/01	12762
Connecting cable 24V DC /3.0 m/01	12552
Connecting cable 24V DC /7.5 m/01	12553
Connecting cable 24V DC /15.0 m/01	11720
PowerBox 24 V DC / 01 (see page 118)	50493
Easy Control (see page 126)	50289
Easy Control (see page 126)	50175
WECS 1024 (see page 128)	50596
WECS 2048 (see page 128)	50597



Multi Directional Drive

Multi Directional Drive II / DMX/02		
Dimensions (L x W x H)	[mm]	700 x 420 x 600
Nominal voltage	[V/DC]	24 V / DC
Power consumption	[W]	53 W
Nominal current	[A]	2.2 A
Max. operation pressure	[bar]	3.5 bar
Protection class		IP 68
Power connection		with box
RDM-DMX connection		with box
Material		Stainless steel
Weight	[kg]	ca. 45 kg
Order no.		50702



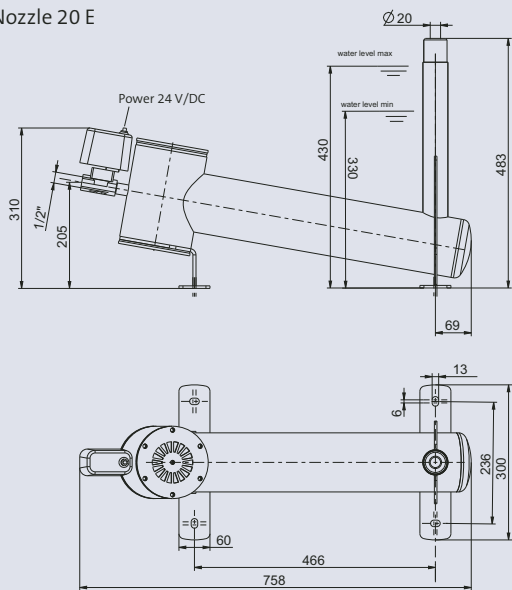
	Fresh Water	Pool Water	Sea Water	220-240 V	400 V	110-120 V	50 Hz	60 Hz	12 V AC	24 V DC	DMX	DMX/RDM	Plug and Spray
Air Nozzle													

AIR NOZZLE 20 E / 24 E

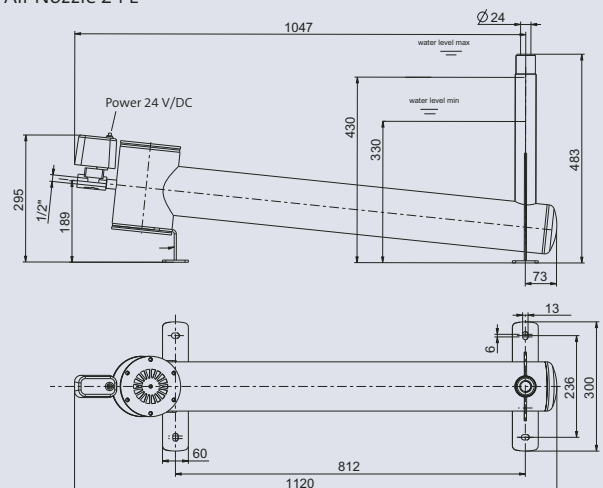
Product characteristics at a glance

- Compact, robust stainless steel Air Nozzle
- Includes IP68 solenoid valve for underwater use
- Short refill time – 6 shots per minute
- For fountains of up to 15 m or 21 m height
- Air Nozzle 20 E – Jet diameter 20 mm
- Air Nozzle 24 E – Jet diameter 24 mm

Air Nozzle 20 E



Air Nozzle 24 E



Air Nozzle

System integration

In general groups of Air Nozzles are to be connected to a compressed air piping system, in which usually the pipe itself is the air reservoir, which is more or less steadily refilled by a compressor. So no additional pressure tank directly coupled to the Air-Nozzle is needed. However the pipe volume and the default pressure should be chosen in such way that after a shot with all shooters the residual pressure doesn't fall below 90% of the default value. In more elaborate supply systems the set pressure can be varied so that different jet heights can be achieved.

Water Level & Refill behavior

It is important for a long term stable performance that the water level is kept constant. Because the filling grade as well as the refill time depends on that. In that sense the best environment for these water features are bodies of water in which the water level is defined by a weir or an overflow.



Example for 60 m fountain (on request)

Air Nozzle 20 E			
Air pressure [bar]	Height [m]	Shooting time every [s]	Air demand [l]
0.50	1.50	2.00	1.50
1.00	4.50	3.00	2.50
1.50	8.50	4.20	4.50
2.00	12.00	5.10	5.50
2.50	15.00	6.30	10.50

Air Nozzle 24 E			
Air pressure [bar]	Height [m]	Shooting time every [s]	Air demand [l]
1.00	4.60	3.90	3.00
2.00	11.00	6.10	9.00
3.00	15.00	7.60	11.50
4.00	18.00	9.30	20.00
4.50	20.00	9.30	21.50
5.00	21.00	9.30	25.00



Air Nozzle detail

Air Nozzle		20 E	24 E
Dimensions (L x W x H)	[mm]	758 x 300 x 483	1120 x 300 x 483
Nozzle diameter	[mm]	20	24
Min. water level	[mm]	330	330
Max. air pressure	[bar]	3	5
Air inlet dia.	[inch]	½	½
Water jet height up to	[m]	15	21
Voltage (solenoid valve)	[V/DC]	24	24
Nominal current (solenoid valve)	[A]		
Material		stainless steel	stainless steel
Weight	[kg]	14,50	17,00
Order no.		58904	58904



	Fresh Water	Pool Water	Sea Water	220-240 V	400 V	110-120 V	50 Hz	60 Hz	12 V AC	24 V DC	DMX	DMX/RDM	Plug and Spray
FlashWall	✓	✓	✓	✓	✓	✓	✓	✓	✓	✓	✓	✓	✓

FLASHWALL

As an attractive and vibrant element this modular interactive water wall is suitable for the use in public areas, such as Shopping malls, office complexes and theme parks. The unique arrangement of the nozzles allows for an extremely dense curtain of water, which guarantees high visibility.

This water curtain creates graphics, designs, characters, etc., which can be represented through the use of a fast reacting valve technology. Thereby the OASE FlashWall allows for almost unlimited opportunities to convey (advertising) messages. In optional combination with an SMS interface it can be also used as an interactive communication platform.

Product characteristics at a glance

- Modular build flash wall (module length: 720mm)
- Allowing for seamless extension limited only by the water consumption
- Close packed nozzle/ valve arrangement for dense water curtain guaranteeing high resolution

- Nozzle orifice diameter: 5 mm
- Theoretical optical density: 44,4 % (e. g. nozzle / space ratio)
- Ideally suited for projection for videos and laser graphics
- Precise valve control via DMX/CAN
- Accurately defined text and graphics displays due to fast reacting valve technology
- Optional: LED RGB Illumination
- Optional: SMS interface for the display of personal text messages

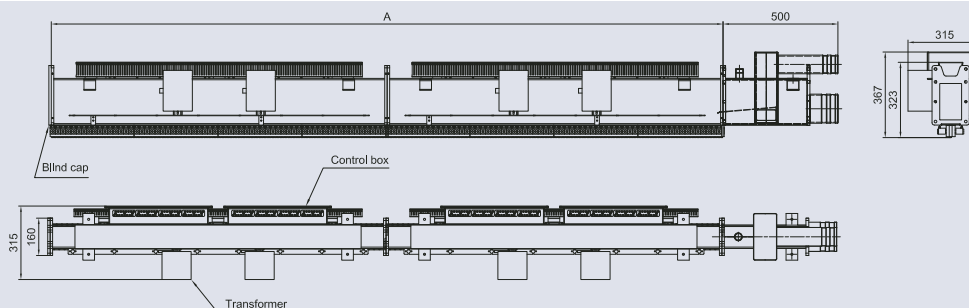
Technical details

- For fresh-water, max 50 my particles allowed
- 110-240V 50/60 Hz power supply
- Transformers can be at the flash wall or in separate area control cabinet ,depending on environment conditions
- Max. height recommended 10m (under zero wind condition)
- Nozzle diameter 4,5 mm

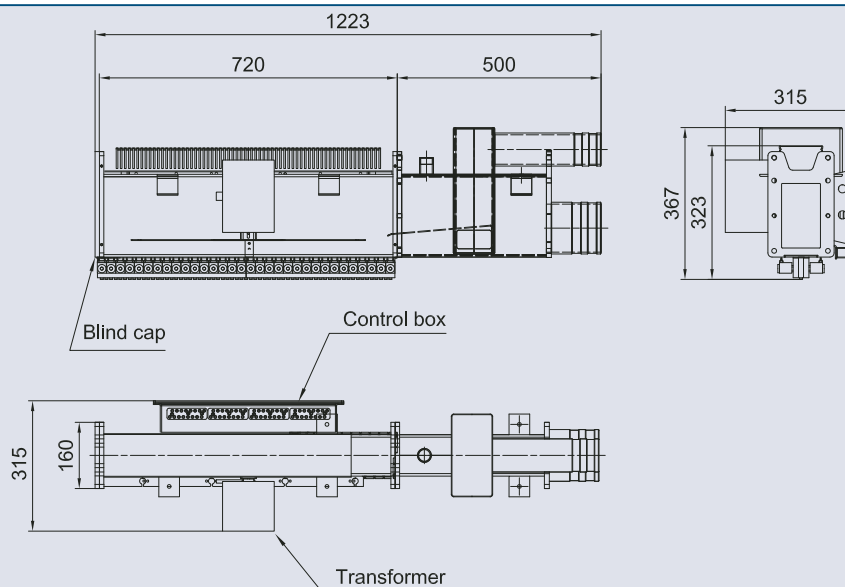


NEW

FlashWall



FlashWall



Accessories (must be ordered separately)

Connecting cable DMX/01 (see page 120)	Order no.
Connecting cable DMX/1.0 m/01	12368
Connecting cable DMX/3.0 m/01	12369
Connecting cable DMX/5.0 m/01	12371
Connecting cable DMX/10.0 m/01	12372
Connecting cable DMX/20.0 m/01	12373
End Resistant for Bus-System DMX/01	12007
Easy Control (see page 126)	50289
Easy Control (see page 126)	50175
WECS 1024 (see page 128)	50596
WECS 2048 (see page 128)	50597



FlashWall details

Dimension of the module*	A mm	720	1440	2160	2880
Amount of valves		64	128	192	256
Distance between the nozzles	[mm]	11,25	11,25	11,25	11,25
Rated voltage	[V/DC]	24	24	24	24
Power consumption	[W]	450	900	1350	1800
Water consumption	[l/min]	32	64	96	128
Material		Stainless Steel / POM	Stainless Steel / POM	Stainless Steel / POM	Stainless Steel / POM
Weight dry	[kg]	35	70	105	140
Weight filled with water	[kg]	42	84	126	168
Order no.		58975	58975	58975	58975

*Any combination of different module is possible.

**SONY CENTER –
SPRAY FOUNTAIN SYSTEM**

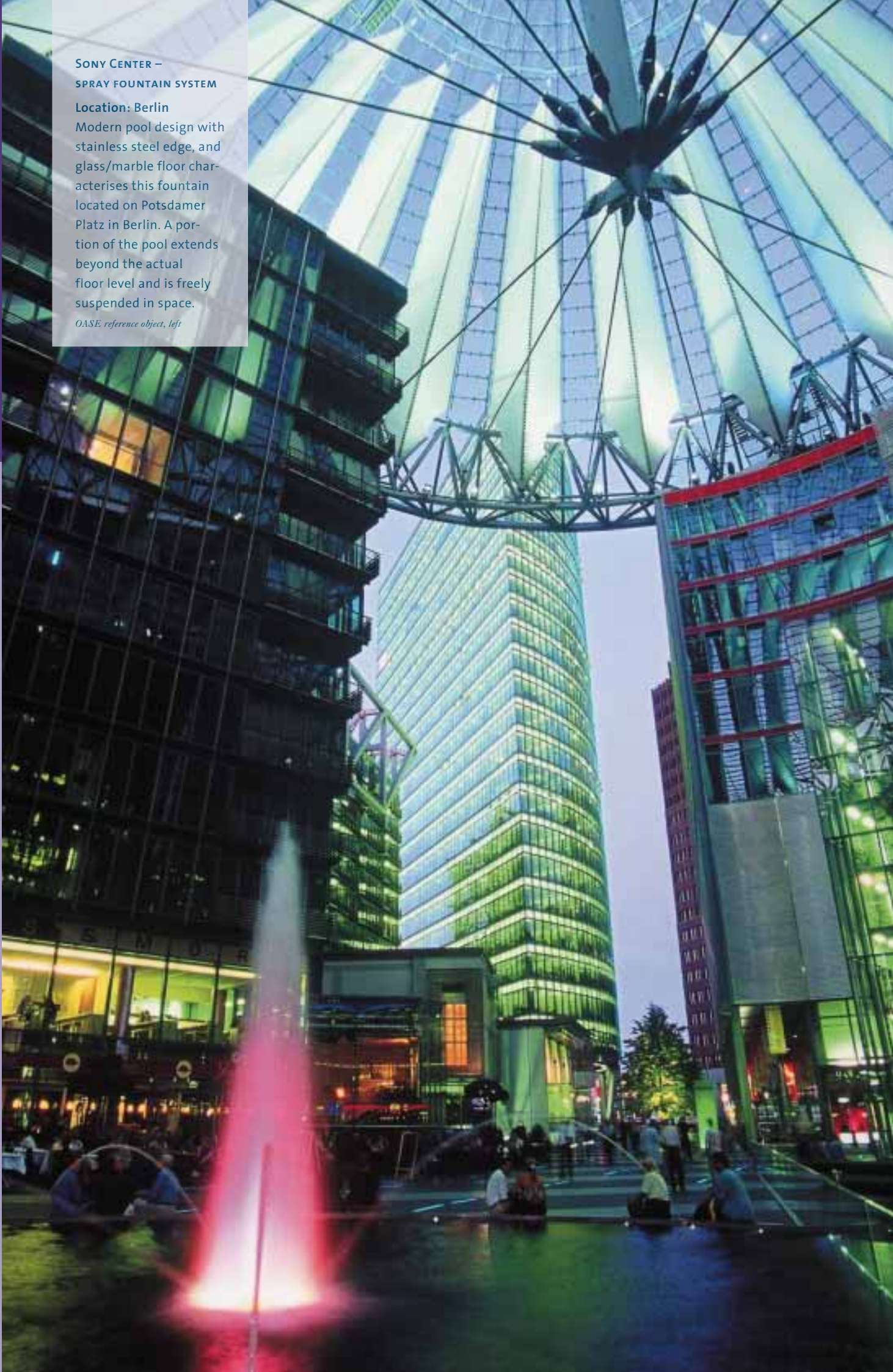
Location: Berlin

Modern pool design with stainless steel edge, and glass/marble floor characterises this fountain located on Potsdamer Platz in Berlin. A portion of the pool extends beyond the actual floor level and is freely suspended in space.

OASE, reference object, left

NOZZLES

CLASSIC



CLASSIC NOZZLES

THE CLASSIC NOZZLES CAN USE IN MODERN AND TRADITIONAL POOL DESIGN. IN COMBINATION WITH A CONTROLLABLE PUMP THESE FOUNTAINS ARE ALSO INTERACTIVE.

- With spray fountain nozzles and fountain attachments in any form and size you can design stately fountains, falling water, baroque pirouettes, or powerful water arches.
- Our standard offering with many designs even satisfies complicated requirements.
- For particularly demanding architectural solutions we can also manufacture the suitable custom solution for you.

Only the difficulty of choice remains!



Comet-Silver – Comet Prec – Hollow jet nozzle

• Classic Nozzles

Comet-Silver	page 26
Comet T	page 28
Hollow Jet nozzles	page 30
High Jet / Geyser Jet	page 32
Lava	page 33
Water sphere / hemisphere	page 34
Gushing nozzle / Fan Jet	page 36
Water Screen Nozzle	page 38
Grand Vulcan / Trumpet Jet	page 40
Vulcan	page 41
Rotating Nozzle	page 42
Schaumspudler	page 44
Cascade	page 48
Geyser	page 52
Mylar Lace	page 56



	Fresh Water	Pool Water	Sea Water
Comet-Silver			
Comet Prec 20-20 Silver			

COMET-SILVER / COMET PREC 20-20 SILVER

These Single Jet nozzles generate a clear, full jet that is stable in wind. New is the silver optic of the Comet nozzles with durable chromed and nickel plated brass. The Comet Prec 20-20 Silver mostly consists of stainless steel.

Comet-Silver

Product characteristics at a glance

- Small to medium-sized single-jet nozzles
- Fountain heights 0.50 m to 12.00 m
- Clear wind-stable full jet
- 15° vertically pivoting ball joint
- Water-level independent
- With flow director
- Durable chromed and nickel plated brass

These Comet-Silver nozzles are usually arranged in a group. All sizes of Comet Silver have a ball joint with which the jet can be pivoted up to 15° from the vertical plane. This feature makes it possible to generate interesting water patterns.

Comet Prec 20-20 Silver

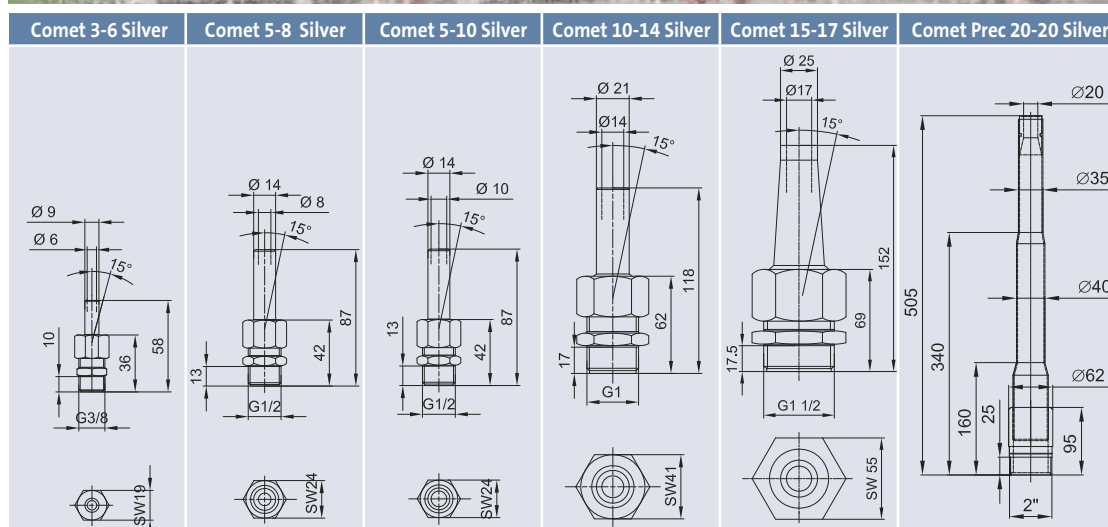
Product characteristics at a glance

- Medium-sized single-jet nozzles
- Fountain heights 1,00m to 20,00m
- Clear wind-stable full jet
- Can be implemented as a single fountain or in groups
- Extensive design versatility
- Water-level independent
- With flow director



Comet-Silver

Comet Prec



	Comet 3-6 Silver		Comet 5-8 Silver		Comet 5-10 Silver		Comet 10-14 Silver		Comet 15-17 Silver		Comet Prec 20-20 Silver	
Dimensions (Ø x H mm)	22 x 58		28 x 87		28 x 87		47 x 118		63 x 152		62 x 505	
Fountain height	DWB	DDB	DWB	DDB	DWB	DDB	DWB	DDB	DWB	DDB	DWB	DDB
	l/min	bar	l/min	bar	l/min	bar	l/min	bar	l/min	bar	l/min	bar
0.50 [m]	4.8	0.06	9.5	0.07	15	0.08	30	0.06	42	0.06		
0.75 [m]	6.2	0.09	11.5	0.10	19	0.11	37	0.09	52	0.09		
1.00 [m]	7.2	0.12	12.6	0.13	21	0.14	44	0.12	62	0.11	90	0.12
1.25 [m]	8.7	0.15	14.9	0.16	25	0.18	50	0.15	69	0.14	96	0.14
1.50 [m]	10.0	0.18	17.0	0.18	28	0.20	55	0.18	76	0.17	102	0.17
1.75 [m]	11.1	0.21	18.8	0.21	31	0.25	60	0.21	82	0.19	110	0.19
2.00 [m]	12.1	0.25	20.5	0.24	33	0.28	65	0.24	89	0.22	117	0.22
2.50 [m]	14.0	0.32	23.4	0.32	37	0.36	73	0.30	100	0.28	132	0.28
3.00 [m]	15.6	0.40	26.1	0.39	41	0.44	81	0.37	110	0.34	147	0.34
3.50 [m]			28.5	0.47	45	0.52	87	0.43	119	0.40	160	0.40
4.00 [m]			30.7	0.54	49	0.60	94	0.50	127	0.46	170	0.46
5.00 [m]					55	0.76	105	0.62	143	0.58	206	0.57
6.00 [m]					60	0.92	116	0.75	157	0.70	227	0.69
7.00 [m]							125	0.88	170	0.82	245	0.81
8.00 [m]							134	1.01	182	0.94	263	0.92
9.00 [m]							143	1.14	193	1.06	279	1.04
10.00 [m]							151	1.28	204	1.18	295	1.16
11.00 [m]									214	1.30	309	1.28
12.00 [m]									222	1.40	323	1.40
14.00 [m]											350	1.64
16.00 [m]											385	1.90
18.00 [m]											420	2.15
20.00 [m]											441	2.40
Material	Double Coated Brass										Stainless Steel	
Weight [kg]	0.06		0.13		0.13		0.45		0.86		1.55	
Order no.	50721		50762		50722		50723		50724		50523	



	Fresh Water	Pool Water	Sea Water
Comet			

COMET 3-5 T TO 15-20 T

These single-jet nozzles generate a clear, full jet that is stable in wind.

These nozzles are usually arranged in a group. All sizes have a ball joint with which the jet can be pivoted up to 15° from the vertical plane. This feature makes it possible to generate interesting water patterns.

Product characteristics at a glance

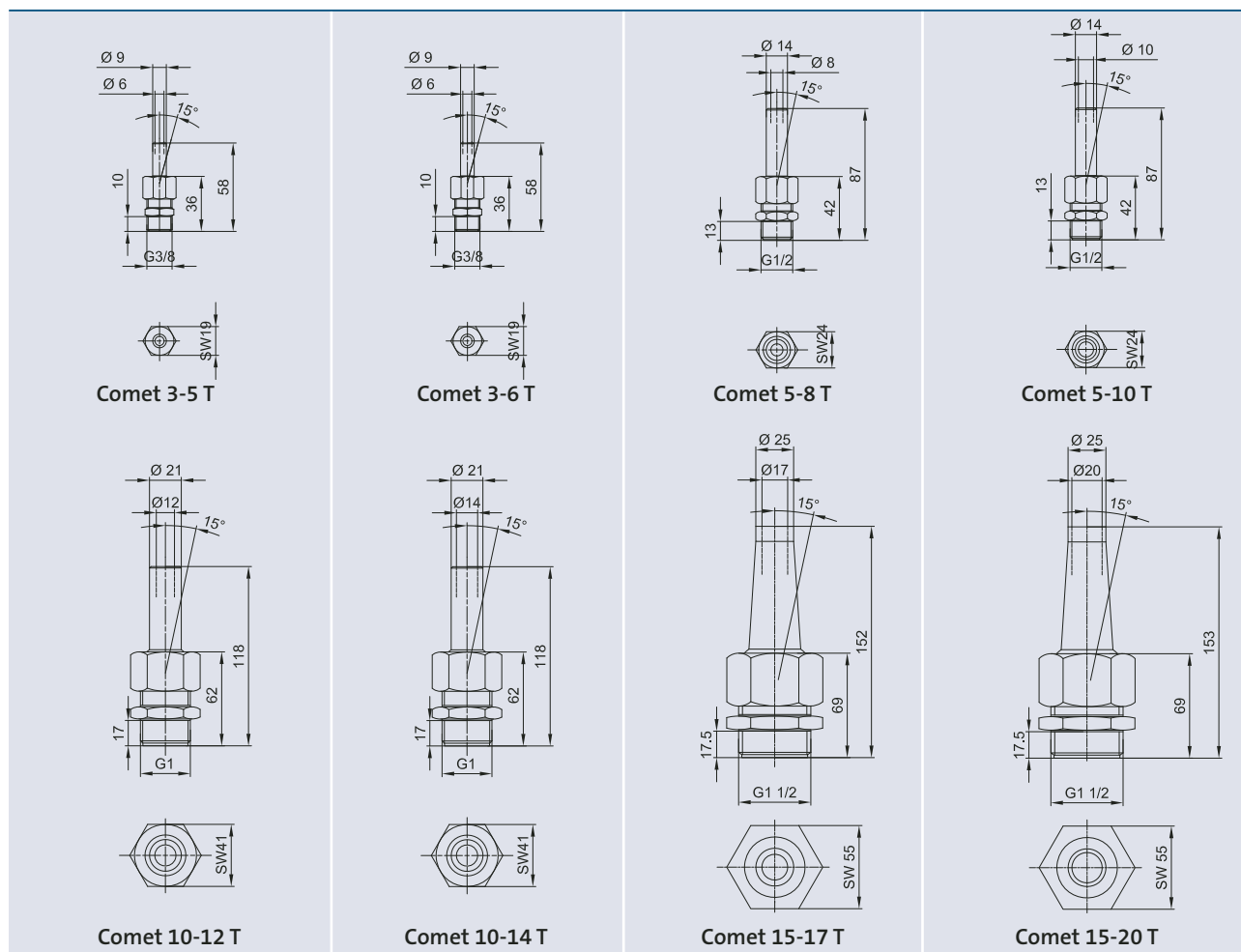
- Small to medium-sized clear-jet nozzles
- Fountain heights 0.5 m to 14.0 m
- Clear wind-stable full jet
- Up to 15° vertically pivoting ball joint
- Water-level independent

The Comet 10-12 T and Comet 10-14 T is ideal for the combination with ProfiPlane LED 320 / DMX / 02 and ProfiRing LED 320 / DMX / 02 (see page 96-99).



Comet 15-20 T

Accessories (must be ordered separately)	Order no.
Sleeve 10 silver	51018
Sleeve 15 silver	51019
Reducing sleeve 15 x 10	51032
Reducing sleeve 20 x 15	51030



	Comet 3-5 T		Comet 3-6 T		Comet 5-8 T		Comet 5-10 T		Comet 10-12 T		Comet 10-14 T		Comet 15-17 T		Comet 15-20 T	
Dimensions (Ø x H mm)	1.9 x 58		21.9 x 58		27.6 x 87		27.6 x 87		47.3 x 118		47.3 x 118		63.3 x 152		63 x 152	
Fountain height	DWB	DDB	DWB	DDB	DWB	DDB	DWB	DDB	DWB	DDB	DWB	DDB	DWB	DDB	DWB	DDB
	l/min	bar	l/min	bar	l/min	bar	l/min	bar	l/min	bar	l/min	bar	l/min	bar	l/min	bar
0.50 [m]	3.8	0.07	4.8	0.06	9.5	0.07	15	0.08	21	0.06	30	0.06	42	0.06	59	0.06
0.75 [m]	5.3	0.09	6.2	0.09	11.5	0.10	19	0.11	25	0.08	37	0.09	52	0.09	74	0.08
1.00 [m]	6.3	0.13	7.2	0.12	12.6	0.13	21	0.14	31	0.11	44	0.12	62	0.11	88	0.13
1.25 [m]	7.2	0.15	8.7	0.15	14.9	0.16	25	0.18	35	0.14	50	0.15	69	0.14	99	0.16
1.50 [m]	8.0	0.18	10.0	0.18	17.0	0.18	28	0.20	39	0.17	55	0.18	76	0.17	110	0.17
1.75 [m]	8.7	0.22	11.1	0.21	18.8	0.21	31	0.25	43	0.21	60	0.21	82	0.19	119	0.21
2.00 [m]	9.3	0.25	12.1	0.25	20.5	0.24	33	0.28	46	0.23	65	0.24	89	0.22	128	0.22
2.50 [m]			14.0	0.32	23.4	0.32	37	0.36	53	0.29	73	0.30	100	0.28	144	0.28
3.00 [m]			15.6	0.40	26.1	0.39	41	0.44	58	0.35	81	0.37	110	0.34	158	0.34
3.50 [m]					28.5	0.47	45	0.52	63	0.42	87	0.43	119	0.40	171	0.39
4.00 [m]					30.7	0.54	49	0.60	68	0.48	94	0.50	127	0.46	184	0.45
5.00 [m]							55	0.76	76	0.61	105	0.62	143	0.58	206	0.57
6.00 [m]							60	0.92	84	0.74	116	0.75	157	0.70	227	0.69
7.00 [m]									91	0.87	125	0.88	170	0.82	245	0.81
8.00 [m]									98	1.00	134	1.01	182	0.94	263	0.92
9.00 [m]											143	1.14	193	1.06	279	1.04
10.00 [m]											151	1.28	204	1.18	294	1.16
11.00 [m]													214	1.30	309	1.28
12.00 [m]													222	1.40	323	1.40
13.00 [m]															337	1.52
14.00 [m]															350	1.64
Material	Brass								Tombac							
Weight [kg]	0.06		0.06		0.13		0.13		0.45		0.45		0.86		0.86	
Order no. NPT	-		89012		89013		89014		89015		89016		89017		89018	
Order no.	50959		50960		50964		50965		50968		50969		50970		50971	



	Fresh Water	Pool Water	Sea Water
50966 Hollow Jet nozzle 68			
50973 Hollow Jet nozzle 100			
55350 Hollow Jet nozzle 130			
50963 Hollow Jet nozzle 130			

HOLLOW JET NOZZLES

Imposing fountains up to 80 metres in height are shot high into the sky by OASE Hollow Jet nozzles.

The special nozzles for impressive fountain heights work independently of the water level, and with flow directors. Thanks to these features and the precise formation of the ring slot of the nozzle, a stable fountain jet is ensured at all times.

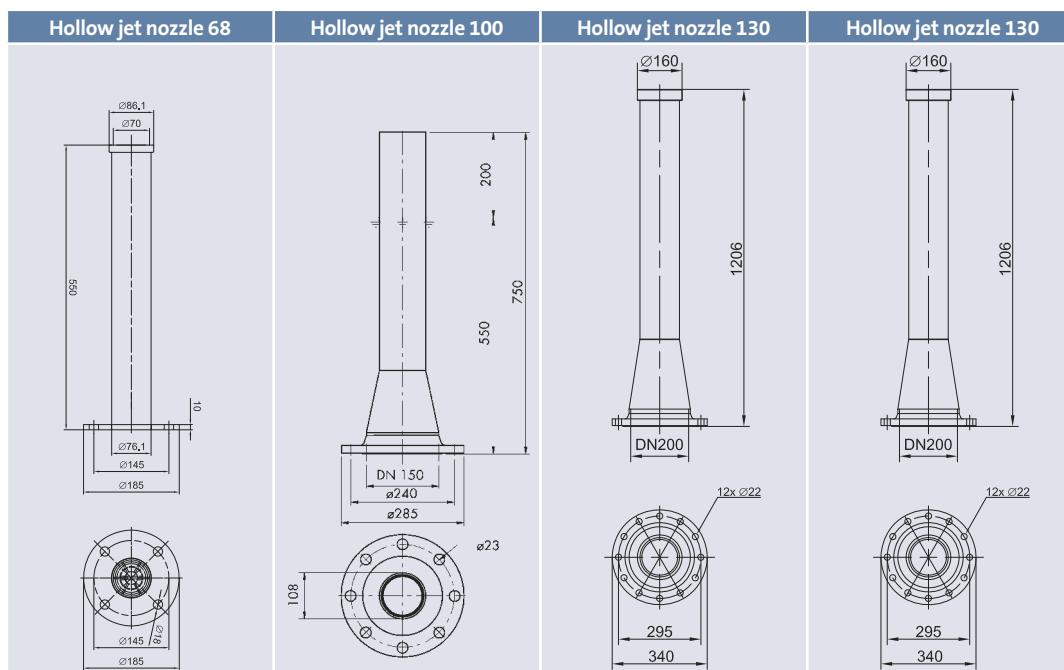
In comparison to full-jet nozzles, the sophisticated design of the Hollow Jet nozzle allows for a significant reduction of water requirements (also referred to as volume flow).

Product characteristics at a glance

- For fountain heights of up to 80 m
- Wind-stable high jet
- Water-level independent
- Significantly reduced water requirements compared to full-jet nozzles
- With flow director



The Hollow jet nozzle 130 (50963) consists of a higher quality of stainless steel so that this nozzle is using for salt water.



	Hollow jet nozzle 68		Hollow jet nozzle 100		Hollow jet nozzle 130		Hollow jet nozzle 130	
Dimensions (Ø x H) [mm]	80 x 425		285 x 750		320 x 1200		320 x 1200	
Ø Hollow Jet [mm]	70		100		130		130	
Water film thickness [mm]	3.5		4.0		10		10	
Fountain height	DWB	DDB	DWB	DDB	DWB	DDB	DWB	DDB
	l/min	bar	l/min	bar	l/min	bar	l/min	bar
5 [m]	449	0.61						
6 [m]	493	0.72						
7 [m]	533	0.87						
8 [m]	570	1.00						
9 [m]	605	1.12						
10 [m]	639	1.26						
12 [m]	701	1.53						
14 [m]	759	1.80						
16 [m]	813	2.07						
18 [m]	864	2.35						
20 [m]	912	2.64	1390	2.18				
22 [m]	959	2.93	1475	2.45				
24 [m]	1003	3.22	1561	2.71				
25 [m]			1600	2.85				
30 [m]			1820	3.60				
35 [m]			1985	4.25				
40 [m]			2235	5.80	6828	5.4	6828	5.4
45 [m]			2600	7.20	7290	6.1	7290	6.1
50 [m]			2660	7.70	7735	6.9	7735	6.9
55 [m]					8165	7.7	8165	7.7
60 [m]					8583	8.5	8583	8.5
65 [m]					8990	9.3	8990	9.3
70 [m]					9388	10.2	9388	10.2
75 [m]					9778	11.0	9778	11.0
80 [m]					10160	11.9	10160	11.9
Material	Stainless Steel							
Weight [kg]	5.0		33.0		76.0		76.0	
Order no.	50966		50973		55350		50963	



Geysers Jet 30

High Jet 30

	Fresh Water	Pool Water	Sea Water
High Jet 30			
Geysers Jet 30			

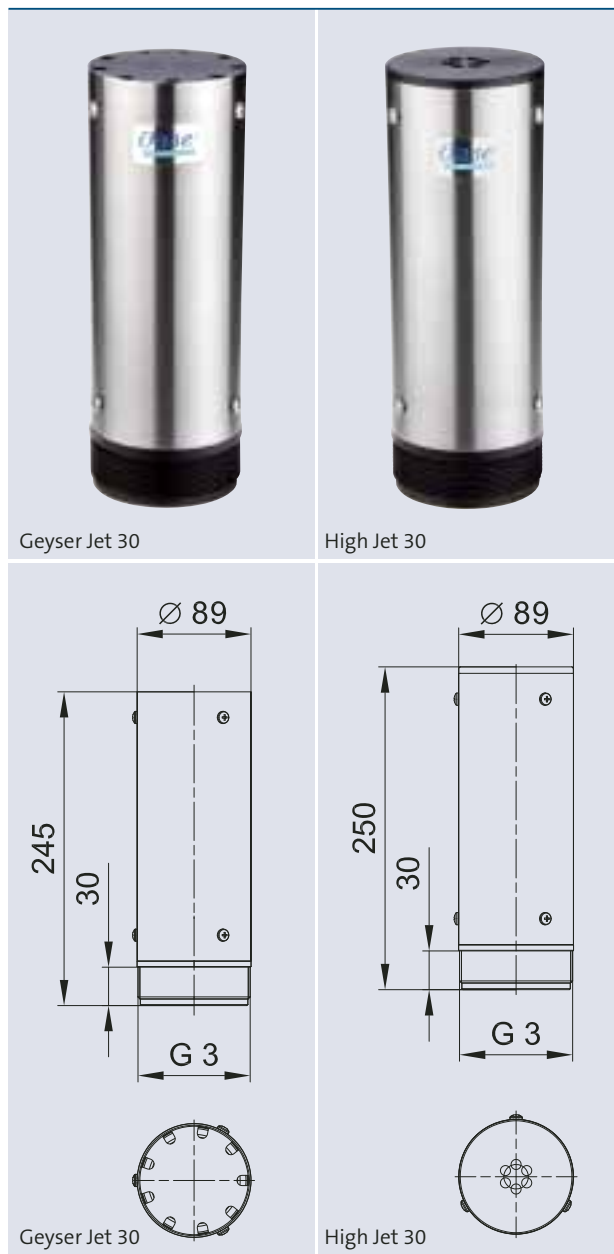
HIGH JET / GEYSER JET

These nozzles generate one water jet that is stable in wind.

The High Jet and Geysers Jet are water-level independent with a lightweight mode of construction and usually used on the floating fountains.

Product characteristics at a glance

- Water patten as one water jet
- Water-level independent
- Modern stainless steel look



Geysers Jet 30

High Jet 30

Geysers Jet 30

High Jet 30

	Geysers Jet 30		High Jet 30	
	DWB	DDB	DWB	DDB
Dimensions (ø x H mm)	89 x 245		89 x 250	
Fountain height	l/min		l/min	
	bar		bar	
5.0	[m]	347	0.81	
6.0	[m]	381	0.98	
7.0	[m]	411	1.14	
8.0	[m]	440	1.31	226
9.0	[m]	466	1.48	240
10.0	[m]	492	1.65	253
11.0	[m]	515	1.82	266
12.0	[m]	539	1.99	278
13.0	[m]			289
14.0	[m]			299
15.0	[m]			310
16.0	[m]			320
Material – casing tube	Stainless Steel		Stainless Steel	
Material – nozzle insert	POM		POM	
Weight	[kg]	1.4		1.4
Order no.	50377		50375	



	Fresh Water	Pool Water	Sea Water
Lava			

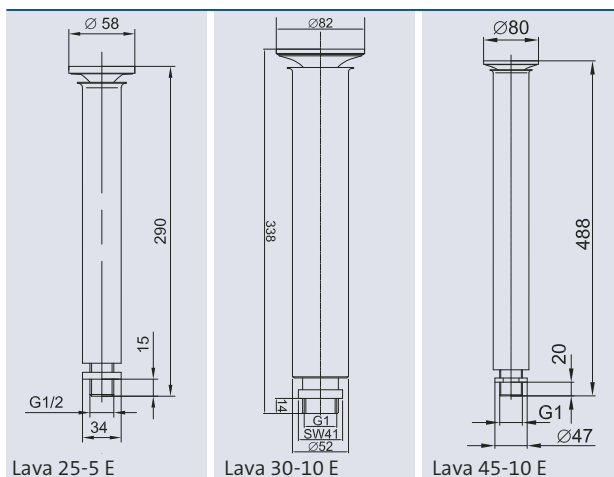
LAVA 25-5 E TO 45-15 E

Water bells are the fountain type with the least noise. The relaxing sound of splashing water is particularly effective in water gardens, reception halls, or outdoor pools that are protected from wind.

The Lava bell forms a closed water veil that can be attractively staged with underwater illumination.

Product characteristics at a glance

- Transparent water pattern
- Adjustable bell diameter
- Water-level independent
- Low-noise operation
- Modern stainless steel look



Accessories (must be ordered separately)	Order no.
Sleeve 10 silver (see page 196)	51018
Sleeve 15 silver (see page 196)	51019
Reducing sleeve 15 x 10 (see page 197)	51032
Reducing sleeve 20 x 15 (see page 197)	51030
Adapter G 10 / NPT 10 (see page 196)	51026

	Lava 25-5 E	Lava 30-10 E	Lava 45-10 E			
Dimensions (Ø x H mm)	58 x 290	80 x 338	80 x 488			
Fountain diameter	DWB	DDB	DWB	DDB	DWB	DDB
	l/min	bar	l/min	bar	l/min	bar
200 [mm]	17	0.09				
300 [mm]	21	0.11	35	0.11		
400 [mm]	25	0.14	43	0.13	43	0.14
500 [mm]	29	0.17	51	0.16	51	0.17
600 [mm]	33	0.21	59	0.20	59	0.21
700 [mm]			67	0.25	67	0.26
900 [mm]					75	0.32
Material	Stainless Steel / Tombac - Double coated					
Weight [kg]	0.6		1.3		1.6	
Order no.	50884		50889		50890	



Water sphere

	Fresh Water	Pool Water	Sea Water
Water sphere			
Water hemisphere			

WATER SPHERES 900/37 TO 6000/450 E

WATER HEMISPHERES H 900/25 TO H 6000/248 E



Water hemisphere

The artistic water pattern that is generated by the sphere effect nozzles requires a lot of space in order to unfold its enchanting effect. It lends any location a very special attractive force, even from a distance.

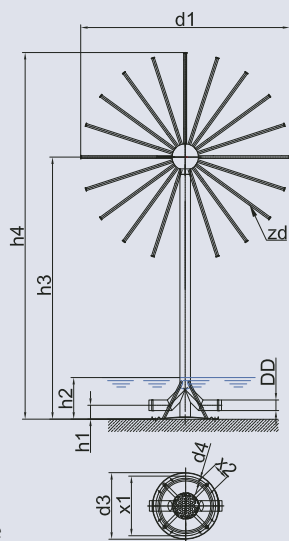
Product characteristics at a glance

- Sculptural, amazing water pattern
- Decorative stainless steel sculpture
- Extensively wind-stable
- Water-level independent

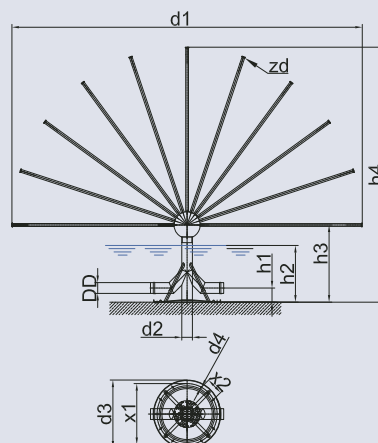
The fountain attachments are primarily made of stainless steel which makes them attractive sculptures even if they are not spraying water.

However, their special flair unfolds once the fine waterveil escaping from the uniformly arranged nozzles converges to form a gentle sphere.

Depending on size the spheres consist of a different number of nozzles. Operation of the spheres and hemispheres is even possible in strong wind in spite of the relatively fine water veil.



Water sphere



Water hemisphere

Water hemisphere	H 900/25 E	H 1200/49 E	H 1500/73 E	H 2500/73 E	H 3500/210 E	H 6000/248 E
Dimensions (ØxH) [mm]	900 x 950	1200 x 1100	1500 x 1250	2500 x 1850	3500 x 2350	6000 x 3650
zd [pieces]	25	49	73	73	210	248
DWB [l/min]	250	490	730	730	2310	3720
DDB [bar]	0,9	0,9	1,0	1,1	1,3	1,5
MBD [mm]	1500	2000	2500	3500	5000	9000
DD [mm]	1 x DN 65	1 x DN 65	1 x DN 65	1 x DN 65	2 x DN 80	3 x DN 100
d1 [mm]	900	1200	1500	2500	3500	6000
d2 [mm]	76	76	76	76	160	220
d3 [mm]	475	475	475	475	1000	1000
d4 [mm]	12	12	12	12	22	22
h1 [mm]	100	100	100	100	100	125
h2 [mm]	300	300	300	400	500	500
h3 [mm]	500	500	500	600	600	650
h4 [mm]	950	1100	1250	1850	2350	3650
x1 [mm]	430	430	430	430	900	900
x2 [mm]	123	123	123	123	200	200
Material	Stainless Steel/Tombac					
Weight [kg]	25	42	65	100	650	1800
Order no.	50897	50898	50899	51762	51763	51764

Water sphere	900/37 E	1200/79 E	1500/127 E	2500/127 E	3500/380 E	6000/450 E
Dimensions (ØxH) [mm]	900 x 1800	1200 x 2200	1500 x 2600	2500 x 3600	3500 x 5850	6000 x 9600
zd [pieces]	37	79	127	127	380	450
DWB [l/min]	370	790	1270	1270	4180	6750
DDB [bar]	1,0	1,0	1,1	1,2	1,6	2,0
MBD [mm]	2000	2500	3000	4500	6000	10000
DD [mm]	1 x DN 65	1 x DN 65	2 x DN 65	2 x DN 65	4 x DN 65	6 x DN 100
d1 [mm]	900	1200	1500	2500	3500	6000
d2 [mm]	76	76	76	76	160	220
d3 [mm]	475	475	475	475	1000	1500
d4 [mm]	12	12	12	12	22	26
h1 [mm]	100	100	100	100	100	125
h2 [mm]	300	300	300	400	500	500
h3 [mm]	1350	1600	1850	2350	4100	6600
h4 [mm]	1800	2200	2600	3600	5850	9600
x1 [mm]	430	430	430	430	900	1400
x2 [mm]	123	123	123	123	200	250
Material	Stainless Steel/Tombac					
Weight [kg]	32	56	100	160	1100	3100
Order no.	50894	50895	50896	51759	51760	51761



Gushing nozzle



Fan Jet

	Fresh Water	Pool Water	Sea Water
Gushing nozzle			
Fan Jet			

GUSHING NOZZLE 115-15 SILVER / FAN JET 10-6 AND 15-8

Whether as single nozzle or as group arranged around a central nozzle – the gushing nozzle generates a full water pattern of impressive presence.

The gushing nozzle spouts a fan-shaped water surge that is mostly closed, with a thickness of 6 mm and a radiating angle of approximately 30°.

Product characteristics at a glance

- Striking water pattern
- Extensively wind-stable
- Water-level independent
- Durable chromed and nickel plated brass



Gushing nozzle 115-15 Silver

The water veil generated by these nozzles not only has a bizarre beauty, it is also extremely practical: It is particularly well suited to conceal exposed technology.

Depending on the installation the fan nozzles generate either a vertically ascending water veil, or a diagonally spouting water veil of 6 or 8 mm in thickness. Thanks to its large surface distribution the attractive water pattern can conceal a foundation base, or exposed pipe and pump equipment from the eyes of observers.

The nozzles work independently of the water level and require a throttle supplied by the contractor to regulate the water pattern.

Product characteristics at a glance

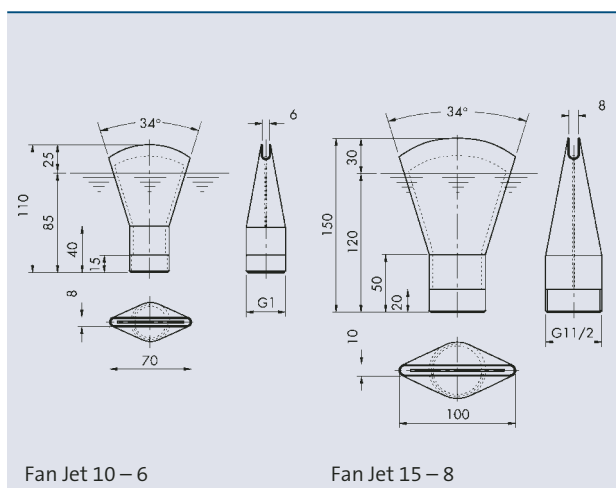
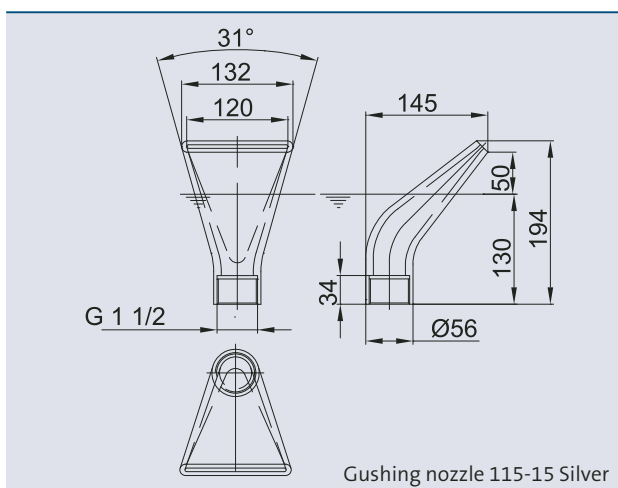
- 6 mm or 8 mm thick, fan-shaped
- Water gushing effect
- Water-level independent
- Modern stainless steel look



Fan Jet

Accessories (must be ordered separately)	Order no.
Swivel connection 10 silver (see page 196)	51015
Swivel connection 15 silver (see page 196)	51016
Sleeve 10 silver (see page 196)	51018
Sleeve 15 silver (see page 196)	51019
Swivel ball joint 10 (see page 197)	51165

Accessories (must be ordered separately)	Order no.
Adapter G 10 / NPT 10 (see page 196)	51026
Adapter G 15 / NPT 15 (see page 196)	51027
Reducing sleeve 15 x 10 (see page 197)	51032
Reducing sleeve 20 x 15 (see page 197)	51030
Flow Valve 10 (see page 197)	51033



Gushing nozzle 115-15 Silver				
Dimensions (L x W x H)	[mm]	132 x 145 x 194		
Fountain height		PH	SPB	DWB
		[m]	[m]	[L/min.]
				DDB
				[bar]
0.50	[m]	0.10	0.25	94
0.75	[m]	0.15	0.33	112
1.00	[m]	0.20	0.42	131
1.25	[m]	0.26	0.50	150
1.50	[m]	0.33	0.58	168
1.75	[m]	0.40	0.67	187
2.00	[m]	0.48	0.75	205
2.50	[m]	0.62	0.92	243
3.00	[m]	0.77	1.08	280
3.50	[m]	0.92	1.25	317
4.00	[m]	1.06	1.42	354
4.50	[m]	1.21	1.58	392
Material		Double Coated Brass		
Weight	[kg]	2.5		
Order no.		50767		

Fan Jet	Fan Jet 10 – 6			Fan Jet 15 – 8		
Dimensions (L x W x H)	110 x 70 x 34			150 x 100 x 49		
Fountain height	SPB	DWB	DDB	SPB	DWB	DDB
	[m]	[l/min]	[bar]	[m]	[l/min]	[bar]
0.25	[m]	0.60	70	0.04		
0.50	[m]	1.00	94	0.06	1.40	143
0.75	[m]	1.50	116	0.11	1.80	174
1.00	[m]	2.00	134	0.13	2.80	200
1.25	[m]	2.80	150	0.16	3.40	223
1.50	[m]	3.00	165	0.19	4.00	244
1.75	[m]	3.80	179	0.23	5.00	264
2.00	[m]			5.50	282	0.25
Material	Stainless Steel			Stainless Steel		
Weight	[kg]	0.25			0.49	
Order no.		53056			53047	



	Fresh Water	Pool Water	Sea Water
Water Screen Nozzle			

WATER SCREEN NOZZLE

The Water Screen Nozzle generates a projection screen medium made of water. It can be used for a variety of media including Video and Lasers for special events.

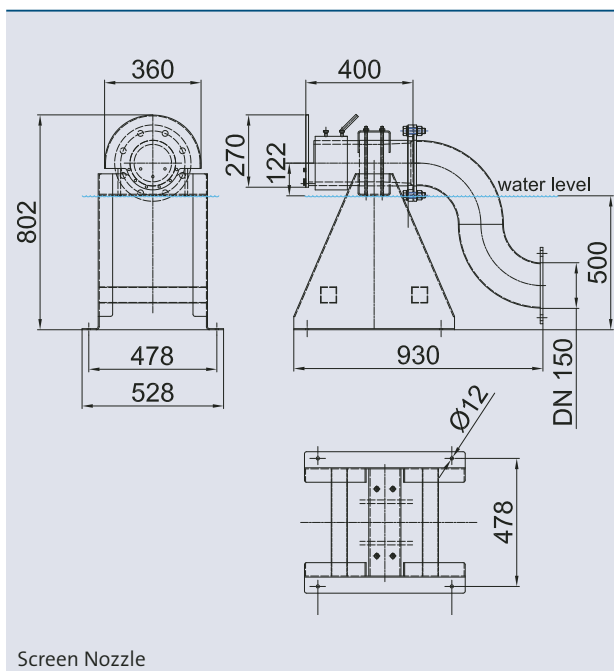
The screen produces a complete semi-circle with 180° in different heights in a function of flow rate and pressure of the pump system.

Product characteristics at a glance

- Optimized nozzles for a clear 180° water screen
- Ideal for rear projection of videos and, or lasers
- An extra flow regulation pipe is not necessary
- The gap of the nozzle can install individual



Screen Nozzle



The nozzle creates a filmy transparent water screen. This qualifies for projection of Laser, Video, Slide and Gobo (Graphical optical blackout) type of illumination. Based on the law of physics of light, the position of the nozzle should always be between the viewer and projector.

		Screen nozzle 30 x 10	Screen nozzle 45 x 15
Water Screen Dimension	[m]	30 x 10	45 x 15
Dimensions (L x W x H)	[mm]	930 x 528 x 802	930 x 528 x 802
DWB	[l/min]	2500	4000
DDB	[bar]	7	12
Material		Stainless Steel	
Weight with bracket	[ap.kg]	95	95
Order no.		58970	58970



Grand Vulcan 30

Trumpet Jet 30

	Fresh Water	Pool Water	Sea Water
Grand Vulcan 30			
Trumpet Jet 30			

GRAND VULCAN 30 / TRUMPET JET 30

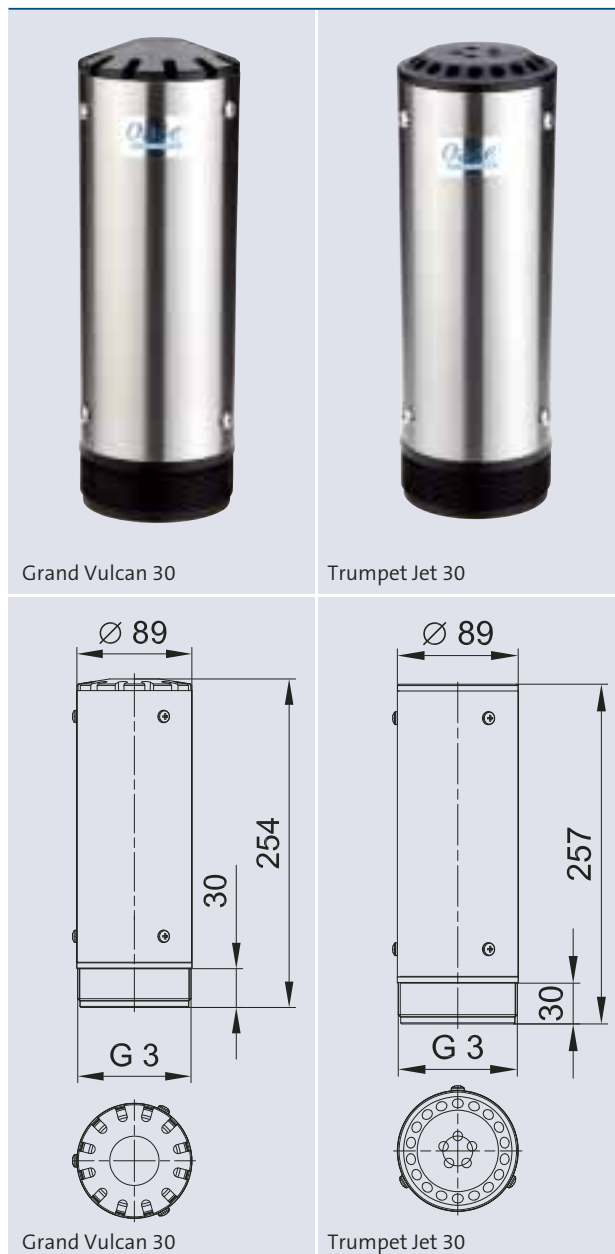
The Grand Vulcan and Trumpet Jet are multi jet nozzles. The single jets are clear and relatively wind stable.

The single jets of the Grand Vulcan 30 are arranged in a circle. They create a calyx.

The water patten of the Trumpet Jet 30 looks like a calyx with a strong middle Fountain.

Product characteristics at a glance

- Multi jet nozzle
- Water-level independent
- Modern stainless steel look



Grand Vulcan 30

Trumpet Jet 30

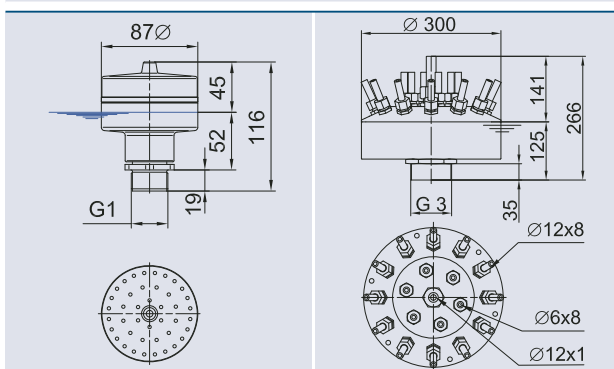
Grand Vulcan 30

Trumpet Jet 30

	Grand Vulcan 30		Trumpet Jet 30	
Dimensions (ø x H mm)	89 x 254		89 x 257	
Fountain height	DWB	DDB	DWB	DDB
	l/min	bar	l/min	bar
3.00	[m]	450	0.45	
3.50	[m]	487	0.53	
4.00	[m]	520	0.61	
4.50	[m]	552	0.68	
5.00	[m]	582	0.76	363
6.00	[m]	638	0.92	397
7.00	[m]	689	1.07	429
8.00	[m]	737	1.23	459
9.00	[m]			487
10.00	[m]			513
Material – casing tube	Stainless Steel		Stainless Steel	
Material – nozzle insert	POM		POM	
Weight	[kg]	1.6	1.4	
Order no.	50376		50378	



Accessories (must be ordered separately)	Order no.
Sleeve 10 silver (see page 196)	51018
Sleeve 15 silver (see page 196)	51019
Hexagon nippel 10 silver (see page 196)	51022
Hexagon nippel 30 silver (see page 196)	51025
Swivel connection 10 silver (see page 196)	51015
Adapter G 10 / NPT 10 (see page 196)	51026
Adapter G 30 / NPT 30 (see page 196)	51029



	Fresh Water	Pool Water	Sea Water
Vulcan 43-3			
Vulcan 300/19-8			

VULCAN 43-3 SILVER, 300/19-8 SILVER

Whether small spray fountain or large water features, Vulcan nozzles generate a bundle of jets from 0.5 to 15 metres in height that fall in multiple stages. In this configuration the individual jets remain clear and relatively stable in wind.

Product characteristics at a glance

- Attractive multi-stage water pattern
- Precise full jets that are stable in wind
- Fountain height is infinitely adjustable
- With Komet nozzles jet angles can be adjusted individually (Vulcan 300/19-8 Silver)
- Water-level independent
- Easy to clean

	Vulcan 43-3 Silver			Vulcan 300/19-8 Silver			
Dimensions (Ø x H mm)	87 x 116			300 x 256			
Fountain height	DSD	DWB	DDB	BWB	DWB	DDB	
	m	l/min	bar	m	l/min	bar	
0.50	[m]	0.40	42	0.10			
0.75	[m]	0.50	50	0.15			
1.00	[m]	0.65	60	0.20			
1.50	[m]	0.80	76	0.30			
2.00	[m]	1.10	90	0.40			
2.50	[m]	1.30	102	0.50			
3.00	[m]	1.50	112	0.60	variab.	339	0.38
3.50	[m]	1.70	121	0.76	variab.	368	0.44
4.00	[m]	2.00	130	0.88	variab.	394	0.50
5.00	[m]				variab.	442	0.64
6.00	[m]				variab.	485	0.77
7.00	[m]				variab.	525	0.90
8.00	[m]				variab.	562	1.03
9.00	[m]				variab.	597	1.16
10.00	[m]				variab.	630	1.29
11.00	[m]				variab.	662	1.42
12.00	[m]				variab.	692	1.56
13.00	[m]				variab.	720	1.69
14.00	[m]				variab.	749	1.82
15.00	[m]				variab.	776	1.96
Material	Tombac			Stainless Steel Double Coated Brass			
Weight	[kg]	1.5			18.5		
Order no.	50766			50977			



	Fresh Water	Pool Water	Sea Water
Rotating Nozzle			

ROTATING NOZZLE 5-15E AND 5-30E

Gracefully dancing fountains optimally enliven any water landscape and reach heights of up to 10 metres

Gentle rotating water patterns are generated by the recoil of the diagonally set nozzle pipes. With this rotating nozzle, 5 Comet nozzles that can be adjusted in all directions, rotate in a circle and creates a wide variety of wind-stable water pattern.

The ball bearing rotation mechanism ensures continuous trouble-free operation.

Product characteristics at a glance

- Rotating screw-shaped water pattern
- Precise full-jets
- Water-level independent



5-15 E

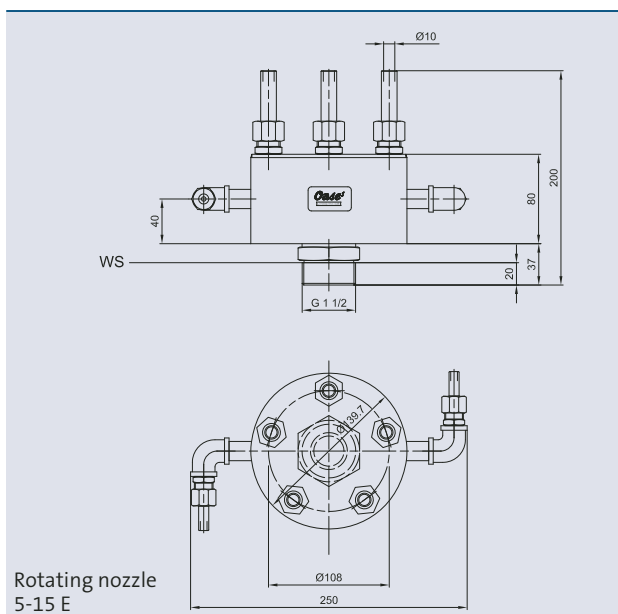
NEW



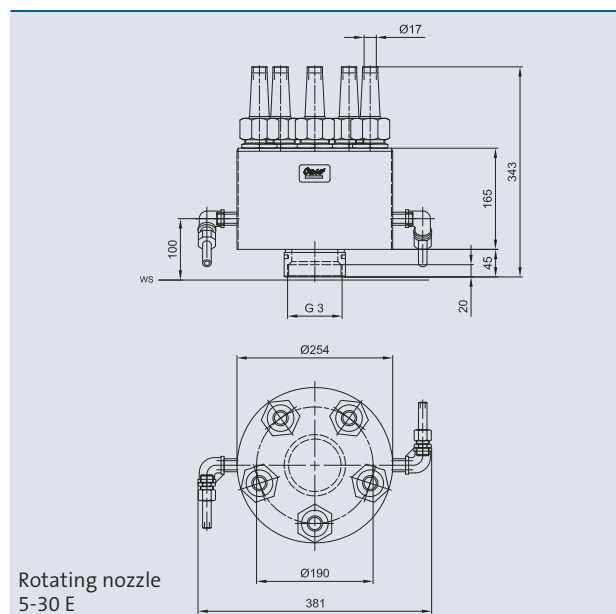
5-30 E



Accessories (must be ordered separately)	Order no.
Hexagon nipple 30 silver (see page 196)	51025
Adapter G 15 / NPT 15 (see page 196)	51027
Adapter G 30 / NPT 30 (see page 196)	51029



Rotating Nozzle 5-15 E				
Dimensions (L x W x H) [mm]		110 x 70 x 34		
Max. Fountain height	SPB [m]	DWB [l/min]	DDB [bar]	
1.00 [m]	2.0	141	0.25	
1.25 [m]	2.4	158	0.31	
1.50 [m]	3.1	173	0.38	
1.75 [m]	3.5	187	0.44	
2.00 [m]	4.0	199	0.50	
2.50 [m]	4.4	223	0.63	
3.00 [m]	5.0	244	0.76	
3.50 [m]	5.6	264	0.89	
4.00 [m]	6.0	282	1.01	
Material	Stainless Steel / Double Coated Brass			
Weight [kg]	2.88			
Order no.	50967			



Rotating Nozzle 5-30 E				
Dimensions (L x W x H) [mm]		150 x 100 x 49		
Max. Fountain height	SPB [m]	DWB [l/min]	DDB [bar]	
1.00 [m]	var.	330	0.15	
2.00 [m]	var.	500	0.30	
3.00 [m]	var.	630	0.50	
4.00 [m]	var.	740	0.60	
5.00 [m]	var.	790	0.75	
6.00 [m]	var.	875	0.90	
7.00 [m]	var.	980	1.10	
8.00 [m]	var.	1050	1.30	
9.00 [m]	var.	1110	1.50	
10.00 [m]	var.	1170	1.60	
Material	Stainless Steel / Double Coated Brass			
Weight [kg]	17.5			
Order no.	50473			



	Fresh Water	Pool Water	Sea Water
Schaumsprudler			
Schaumsprudler 75-20 silver			

SCHAUMSPRUDLER 35-10 E TO 75-20 SILVER

The lively bubbling water pattern generated by the foam effect nozzles is the optimal accessory for watercourse inlets, stepped pool installations, or fountain installations with a water reservoir at a lower level.

By mixing air with water, the pattern appears to be extremely high-volume. Nevertheless the nozzles actually have a low water requirement. The beautiful soft foam jet offers a strong contrast to its environment.

As opposed to Cascade and Geyser nozzles, Schaumsprudler nozzles work independently of the water level so that fluctuations in the water level do not affect the water pattern.

Product characteristics at a glance

- High-contrast, lively water pattern
- Foam / spume effect
- Trouble-free continuous operation
- Offers oxygen enrichment
- Extensively wind-stable
- Water-level independent



35-10 E

55-10 E



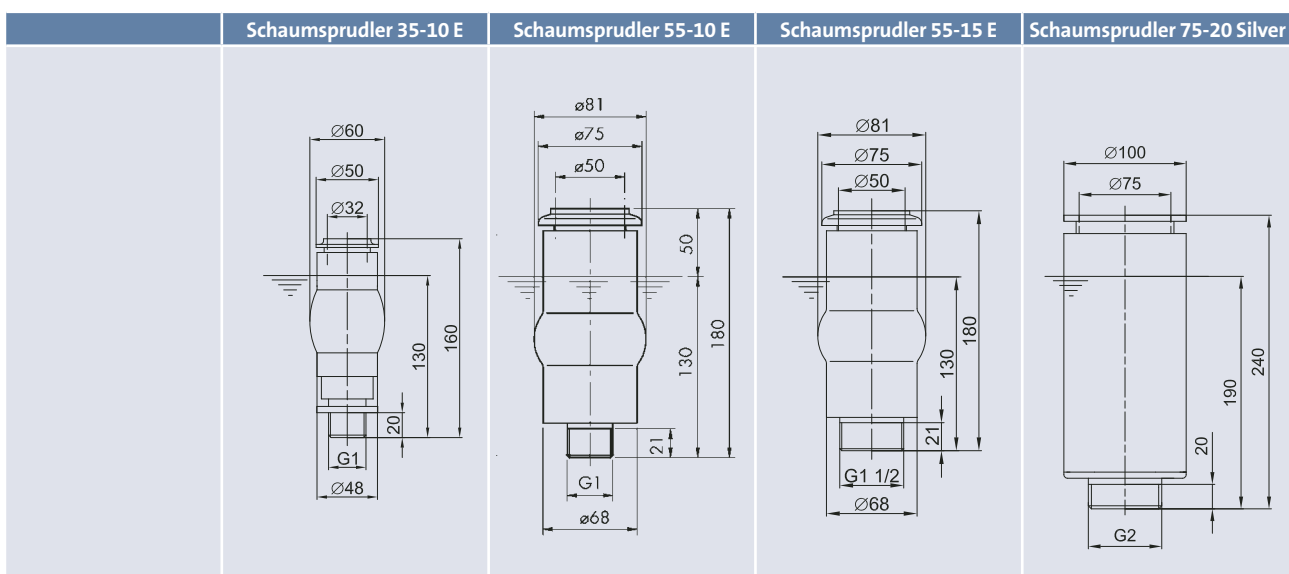
55-15 E

75-20 Silver

NEW

Accessories (must be ordered separately)	Order no.
Swivel connection 10 silver (see page 196)	51015
Swivel connection 15 silver (see page 196)	51016
Swivel connection 20 silver (see page 196)	51017
Sleeve 10 silver (see page 196)	51018
Sleeve 15 silver (see page 196)	51019
Sleeve 20 silver (see page 196)	51020

Accessories (must be ordered separately)	Order no.
Adapter G 10 / NPT 10 (see page 196)	51026
Adapter G 15 / NPT 15 (see page 196)	51027
Adapter G 20 / NPT 20 (see page 196)	51028
Reducing sleeve 15 x 10 (see page 197)	51032
Reducing sleeve 20 x 15 (see page 197)	51030
Swivel ball joint 10 (see page 197)	51165

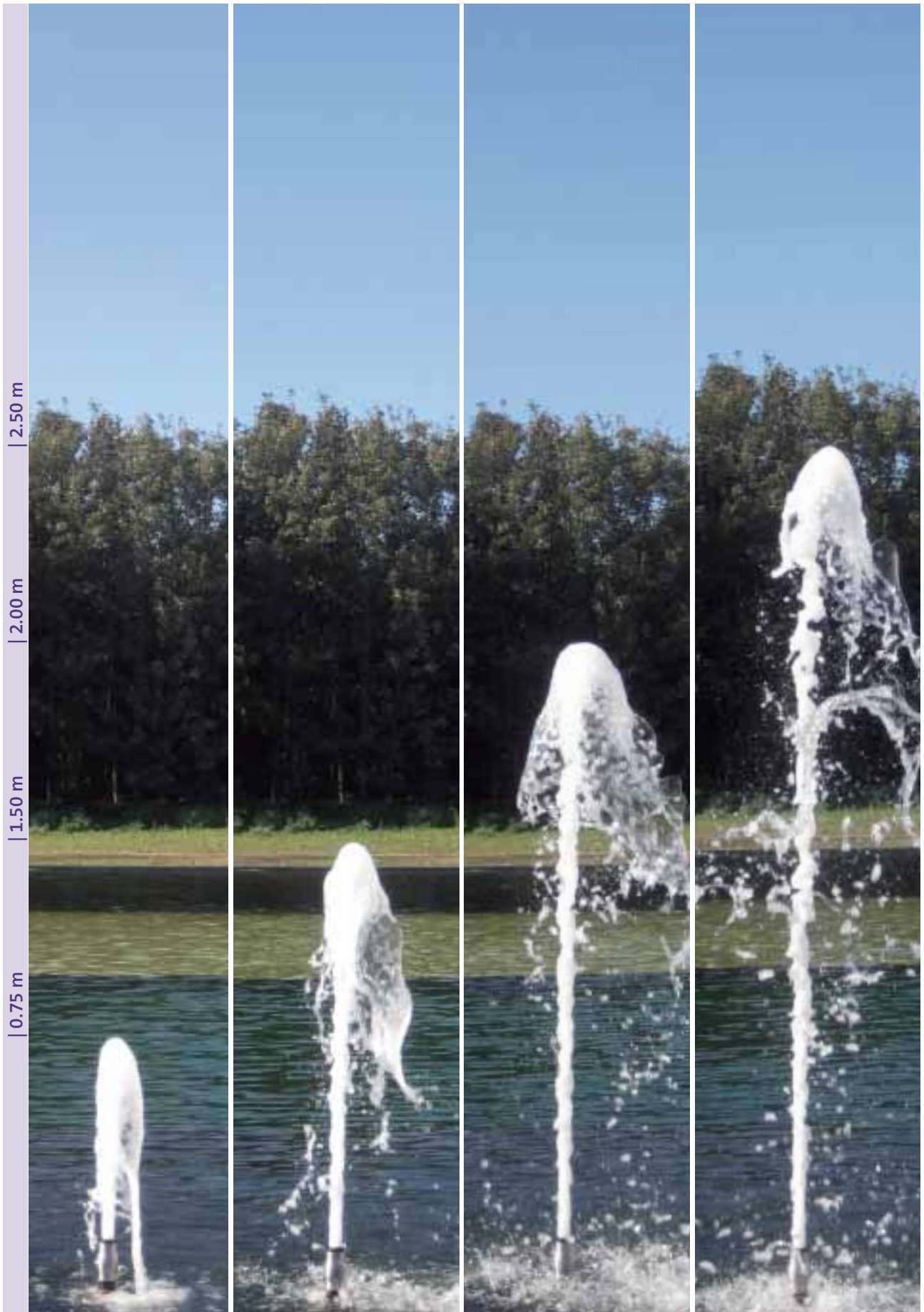


		Schaumsprudler 35-10 E		Schaumsprudler 55-10 E		Schaumsprudler 55-15 E		Schaumsprudler 75-20 Silver	
Dimensions (ø x H) [mm]		60 x 160		81 x 180		81 x 180		100 x 240	
Fountain height		DWB	DDB	DWB	DDB	DWB	DDB	DWB	DDB
		l/min	bar	l/min	bar	l/min	bar	l/min	bar
0.25	[m]	47	0.10	60	0.11				
0.50	[m]	55	0.14	84	0.21	125	0.11		
0.75	[m]	71	0.22	108	0.32	151	0.15		
1.00	[m]	80	0.28	122	0.40	176	0.19	328	0.20
1.25	[m]	89	0.34	134	0.49	198	0.24	367	0.24
1.50	[m]	97	0.40	145	0.58	217	0.28	401	0.29
1.75	[m]	104	0.46	156	0.66	235	0.33	433	0.34
2.00	[m]	111	0.52	166	0.75	252	0.38	463	0.39
2.50	[m]	123	0.65	184	0.92	282	0.48	518	0.49
3.00	[m]			200	1.09	310	0.58	567	0.58
3.50	[m]			216	1.27	335	0.67	612	0.68
4.00	[m]					359	0.77	655	0.78
4.50	[m]					381	0.87	695	0.87
5.00	[m]					402	0.97	733	0.97
6.00	[m]					441	1.16	803	1.17
7.00	[m]					477	1.36	868	1.33
8.00	[m]							928	1.56
9.00	[m]							965	1.75
10.00	[m]							1039	1.95
Material		Stainless Steel/plastic		Stainless Steel				Double Coated Brass	
Weight	[kg]	0.5		1.2		1.4		4.3	
Order no.		50984		50986		50987		50768	

SCHAUMSPRUDLER 35-10 E

NOZZLES

CLASSIC







	Fresh Water	Pool Water	Sea Water
Cascade			

CASCADE 50 T TO CASCADE 130 T

These injector nozzles generate a lively full water pattern that changes depending on the water level and accentuates every public area.

Thanks to the injector effect, water and air are suctioned in, mixed intensively and accelerated into the air by the injector jet as an impressive soft flowing fountain. In this process a voluminous fountain that forms a point is generated with relatively low pump capacities.

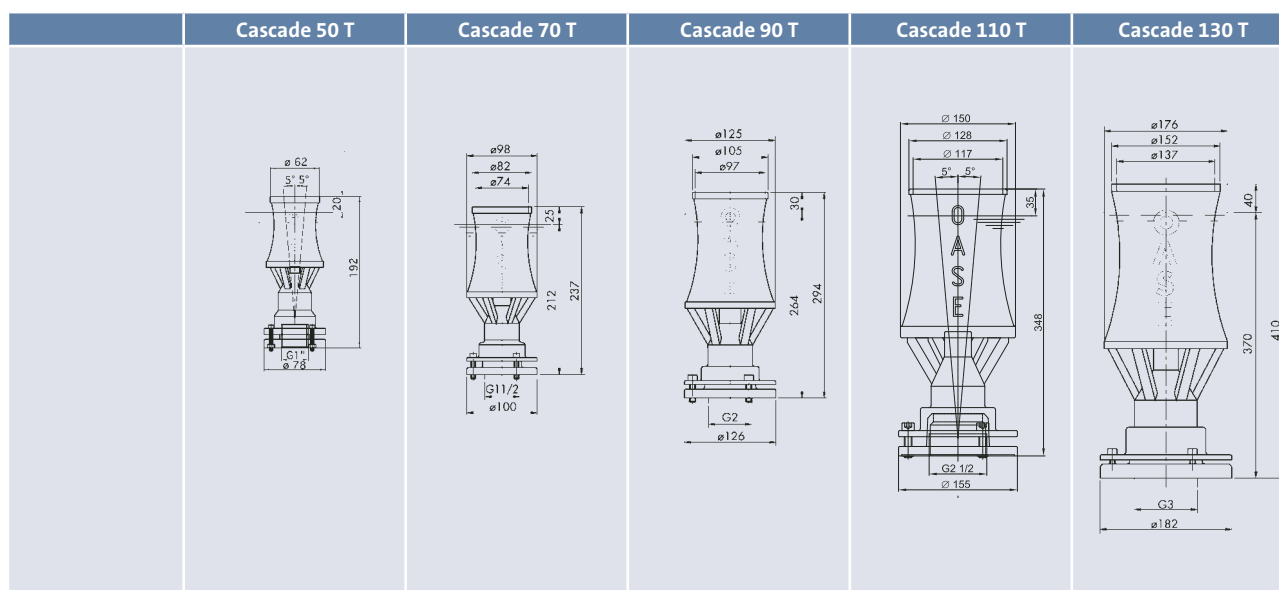
The foam effect nozzles work depending on the water level; they generate a slender and higher water pattern if the normal water level is not reached. If the normal water level is exceeded

the water pattern is fuller and lower. This effect is particularly interesting when there are strong wave movements; then the fountains really start to dance. In installations with a different water level, non-return valves should be provided, otherwise the water level will drop to injector height once the installation is switched off.

Product characteristics at a glance

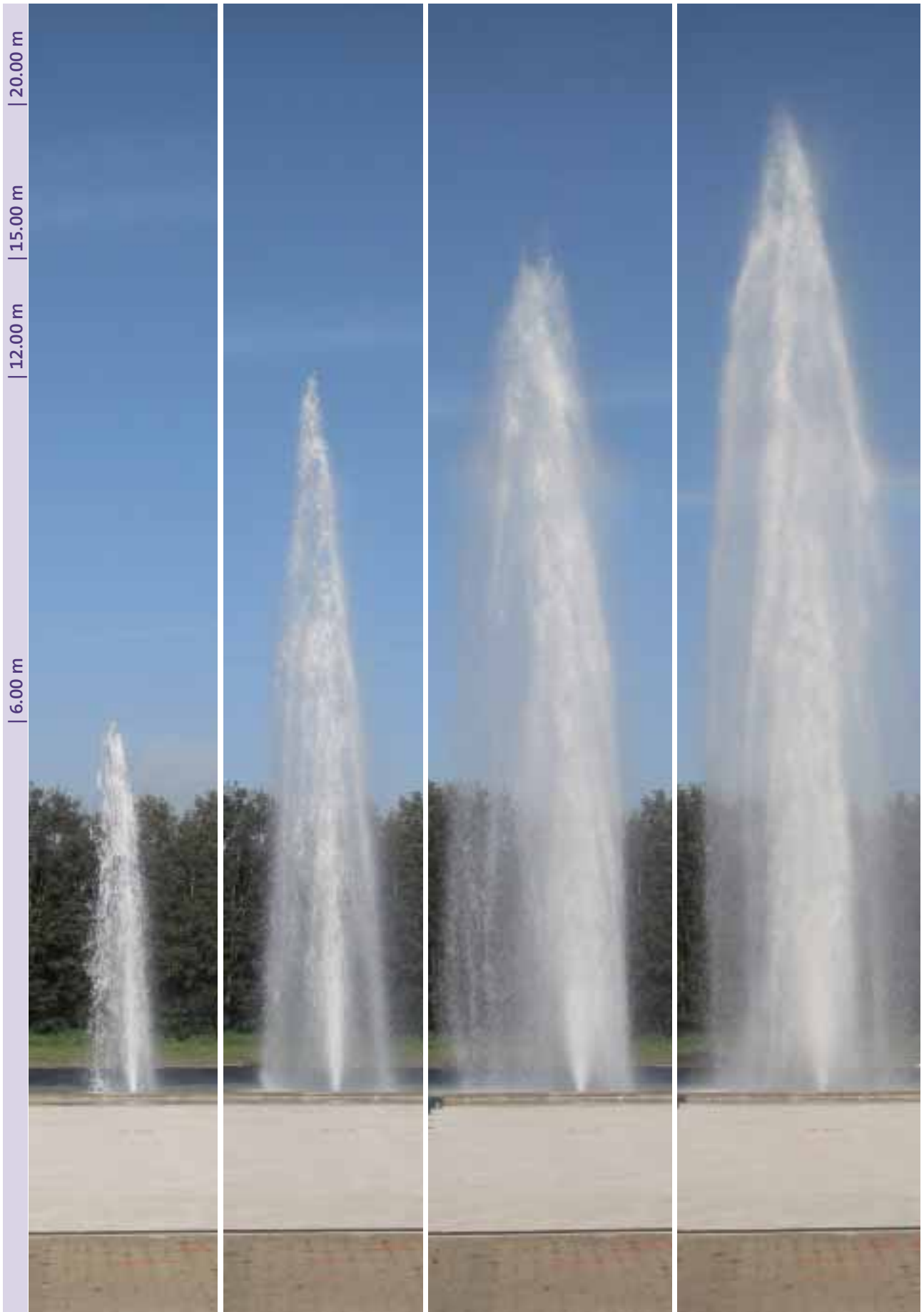
- Lively water effect
- Foam/spume effect
- Offers oxygen enrichment
- Adjusting flange for alignment
- Water pattern is water-level dependent





		Cascade 50 T		Cascade 70 T		Cascade 90 T		Cascade 110 T		Cascade 130 T	
Dimensions (Ø x H mm)		78 x 192		100 x 237		125 x 294		149 x 346		176 x 410	
Fountain height		DWB	DDB	DWB	DDB	DWB	DDB	DWB	DDB	DWB	DDB
		l/min	bar	l/min	bar	l/min	bar	l/min	bar	l/min	bar
0.25	[m]	28	0.18								
0.50	[m]	34	0.26	79	0.27						
0.75	[m]	39	0.33	88	0.33	141	0.27				
1.00	[m]	43	0.41	97	0.40	157	0.33	236	0.36	379	0.36
1.50	[m]	51	0.57	111	0.53	184	0.46	279	0.48	437	0.48
2.00	[m]	58	0.73	124	0.66	208	0.58	317	0.60	488	0.60
2.50	[m]	69	1.04	136	0.79	229	0.71	351	0.72	534	0.72
3.00	[m]	74	1.20	147	0.92	249	0.83	382	0.84	577	0.84
4.00	[m]	79	1.36	166	1.18	284	1.08	437	1.07	654	1.07
5.00	[m]	88	1.68	184	1.44	315	1.34	486	1.34	723	1.34
6.00	[m]			200	1.71	344	1.59	531	1.55	786	1.55
7.00	[m]			215	1.97	370	1.85	572	1.79	845	1.79
8.00	[m]					395	2.10	611	2.04	900	2.04
10.00	[m]					441	2.61	682	2.52	1001	2.52
12.00	[m]							747	3.01	1094	3.01
14.00	[m]							806	3.50	1180	3.50
16.00	[m]									1260	3.99
18.00	[m]									1336	4.49
20.00	[m]									1408	4.99
Material		Tombac									
Weight	[kg]	1.0		2.4		3.6		7.0		11.0	
Order no.		50911		50912		50915		50916		50917	

CASCADE 130 T







	Fresh Water	Pool Water	Sea Water
Geyser			

GEYSER 20 T TO GEYSER 100 T

Like the Cascade nozzles, these injector nozzles also generate a water pattern that changes depending on water level, however the Geyser foam effect nozzles generate a slender, more cylindrical shaped fountain.

Thanks to the injector effect water and air are suctioned in, mixed intensively and accelerated into the air by the injector jet as an impressive soft flowing fountain. In this process a voluminous fountain is generated using relatively low pump capacities.

The foam effect nozzles that work depending on the water level generate a slender and higher water pattern if the normal water level is not reached. If

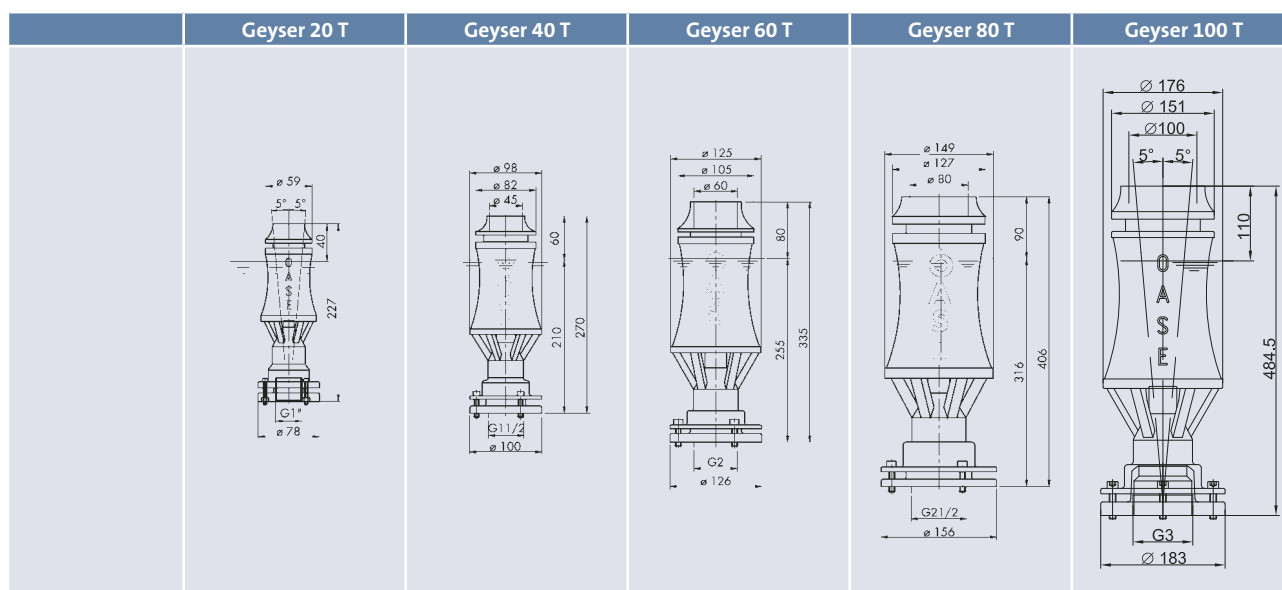
the normal water level is exceeded the water pattern is fuller and lower. This effect is particularly interesting when there are strong wave movements; then the fountains really start to dance.

In installations with a different water level, non-return valves should be provided, otherwise the water level will drop to injector height once the installation is switched off.

Product characteristics at a glance

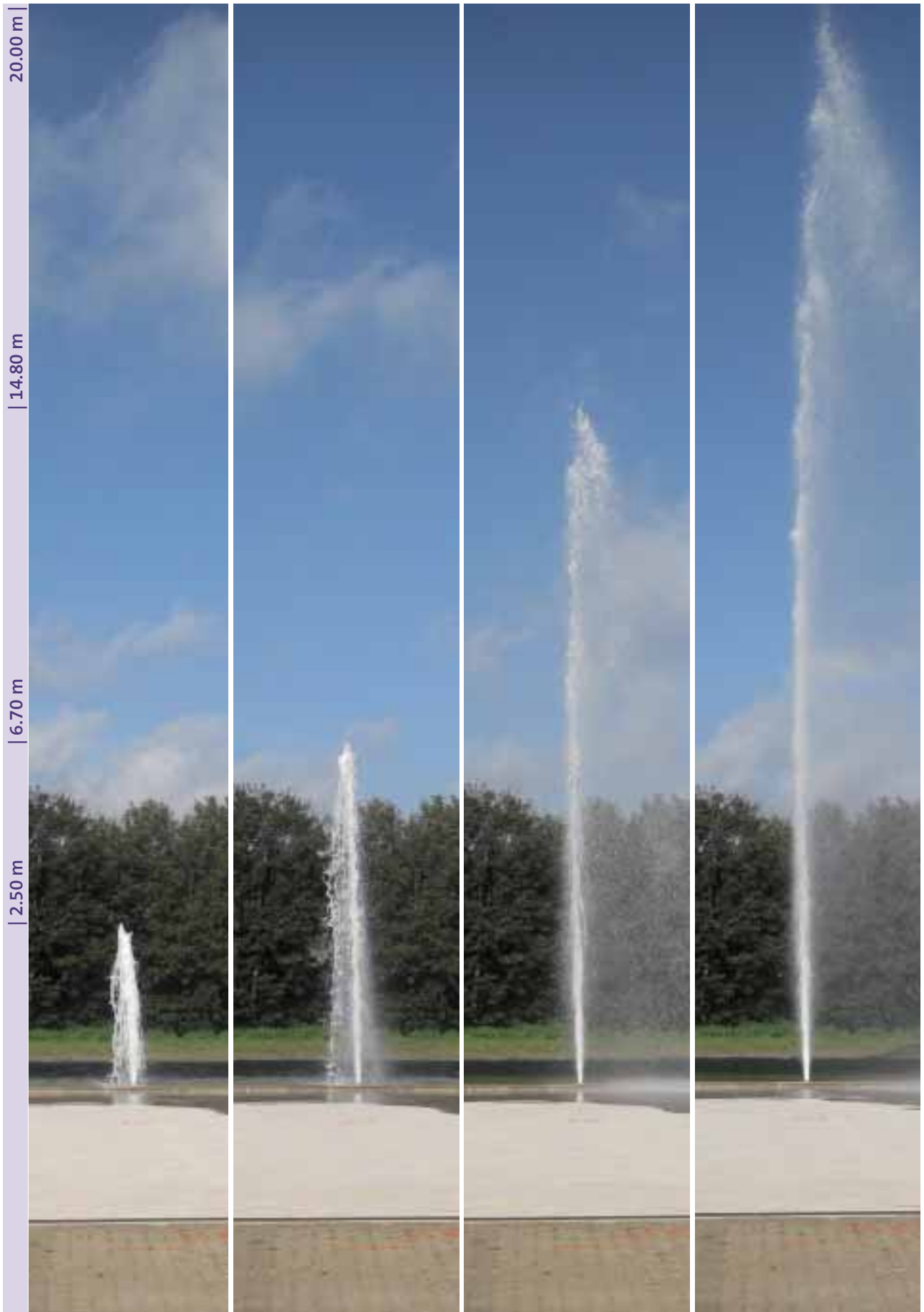
- Lively water effect
- Foam / spume effect
- Offers oxygen enrichment
- Adjusting flange for alignment
- Water pattern is water-level dependent





		Geysers 20 T		Geysers 40 T		Geysers 60 T		Geysers 80 T		Geysers 100 T	
Dimensions (Ø x H mm)		78 x 227		98 x 210		125 x 335		156 x 406		182 x 480	
Fountain height		DWB	DDB	DWB	DDB	DWB	DDB	DWB	DDB	DWB	DDB
		l/min	bar	l/min	bar	l/min	bar	l/min	bar	l/min	bar
0.50	[m]	30	0.20	82	0.27	128	0.24				
0.75	[m]	33	0.25	89	0.31	140	0.29				
1.00	[m]	37	0.30	95	0.35	151	0.34	242	0.37		
1.50	[m]	42	0.39	105	0.43	171	0.43	273	0.47		
2.00	[m]	47	0.49	115	0.52	189	0.53	301	0.57	459	0.56
2.50	[m]	52	0.59	124	0.60	205	0.62	327	0.67	497	0.66
3.00	[m]	56	0.69	133	0.69	220	0.72	350	0.77	532	0.75
4.00	[m]	64	0.89	149	0.86	247	0.91	394	0.97	596	0.94
5.00	[m]	71	1.08	163	1.03	272	1.09	433	1.18	653	1.13
6.00	[m]	77	1.28	176	1.20	295	1.29	469	1.38	707	1.33
7.00	[m]			188	1.38	316	1.57	503	1.59	757	1.52
8.00	[m]			199	1.55	336	1.67	534	1.79	803	1.71
10.00	[m]					373	2.06	593	2.21	890	2.10
12.00	[m]					407	2.44	646	2.62	969	2.49
14.00	[m]							696	3.04	1043	2.89
16.00	[m]							742	3.46	1112	3.28
18.00	[m]							786	3.88	1178	3.68
20.00	[m]							828	4.30	1240	4.08
25.00	[m]									1386	5.09
30.00	[m]									1519	6.12
Material		Tombac									
Weight	[kg]	1.5		3.2		5.3		9.3		16.2	
Order no.		50991		50992		50993		50994		50995	

GEYSER 80 T





NOZZLES

CLASSIC



	Fresh Water	Pool Water	Sea Water
Mylar Lace			

MYLAR LACE FOUNTAINS SYSTEMS

OASE-mylar lace fountain systems represent an interesting design element in fountain technology. As the water is running noiselessly and nearly without splash downwards along the special mylar laces, many possible applications are offered.

Indoors the mylar lace fountain can divide a room or form a glittering curtain as an architectural feature.

OASE mylar fountains basically consist of a bottom water reservoir and a top water distribution system with a multitude of mylar nozzles and the corresponding number of adjustable transparent mylar laces. The water reservoir comprises the complete technology - such as pump, overflow drain, freshwater refill, power supply, the mylar lace conduction plate and the underwater lights.

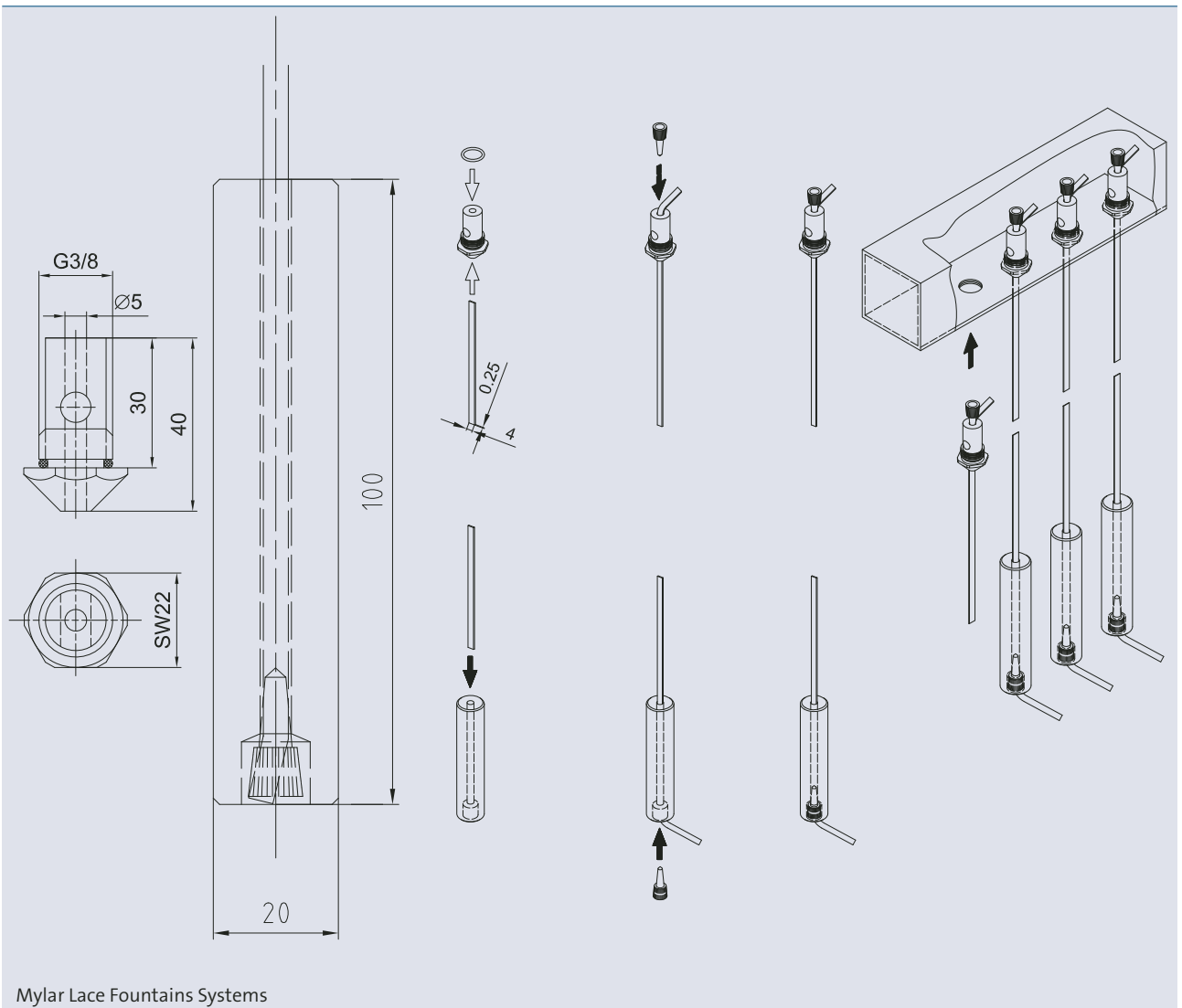
The OASE accessory program also offers other components like a water treatment with the installation of water softener, filtering and dosing plant.

Product characteristics at a glance

- Attractive design concept
- Remarkable room divider
- Effective room humidifier



Mylar Lace Fountains Systems



	Nozzle for Mylar Lace Typ FDSW22/MS	Mylar Lace Typ MF 4/025	Lace Weight, Typ FG 20/100MS
Dimensions (L x W x H) [mm]	22 x 22 x 40	4 x 0.25 x 150000	20 x 20 x 100
Water demand [l/min]	0.5	–	–
Material	brass	mylar lace	brass
Weight [kg]	0.1	0.15	0.2
Order no.	52218	52219	52220

OASE INNOVATION CENTER

Location: Hörstel

Appealing design and
functionality:

The new MIDI/MAXI
floating fountains.

OASE reference object, left



FLOATING FOUNTAINS

FOUNTAINS ARE NOT ONLY AN ATTRACTIVE HIGHLIGHT FOR ANY BODY OF WATER, THEY ARE ALSO HEALTHY FOR THE BIOLOGICAL BALANCE

Floating fountains conjure up impressive water effects wherever standing aggregates are difficult to install: If there are fluctuating water levels, excessive water depths, or on muddy pond floors. Thanks to easy installation they can also be implemented on short notice, or the water pattern can be changed as desired.

The floating fountains stay on the surface without tipping, thanks to robust float elements. The foamed float element ensures ideal buoyancy of the floating fountains. Only the nozzle and the surface of the float element are visible; the technology remains concealed underwater.

Various easily interchangeable fountain nozzles are available for custom design of the water pattern of the floating fountains. LED illumination sets give the fountains a fascinating appearance in the evening hours.

OASE floating fountains make an additional contribution by enriching the oxygen in the body of water; a contribution toward the reduction of algae.



Appealing design and functionality combined – with floating fountains from OASE.

• Floating fountains	
Pond-Jet	page 60
MIDI II/MAXI II	page 62
Fountain attachments	page 64
Illumination sets	page 66



Pond-Jet with Pond-Jet-Nozzle



Schaumsprudler 35-10 E

	Fresh Water	Pool Water	Sea Water	220-240 V	400 V	110-120 V	50 Hz	60 Hz
Pond-Jet 57075	✓	✓	✓	✓	✓	✓	✓	✓
Pond-Jet 54019	✓	✓	✓	✓	✓	✓	✓	✓

POND-JET

Thanks to the Pond-Jet floating fountain pump, decorative fountains can easily and quickly be achieved without any complex installation.

Neither the depth of the water, nor a pond base that is very dirty or difficult to access are of significance here. Perfect for use at short notice.

Product characteristics at a glance

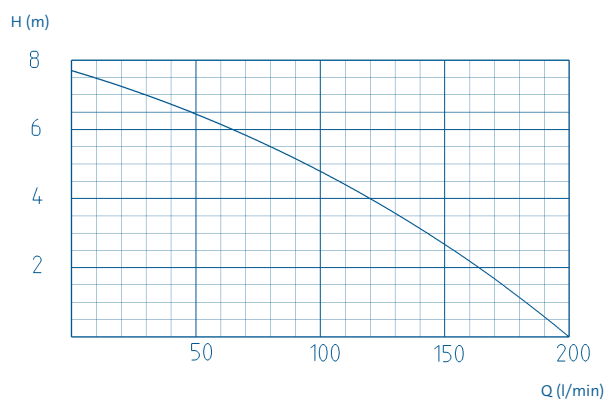
- Ready-to-connect complete aggregate, consisting of pump, float element, and Pond-Jet-nozzle with 1"-thread
- Clearly structured fountain height and spray diameter of 3 metres
- Minimum water depth in clear water is 1 m; for a muddy pond floor the minimum depth is 1.5 m
- Lighting set and additional nozzle patterns are available as accessories

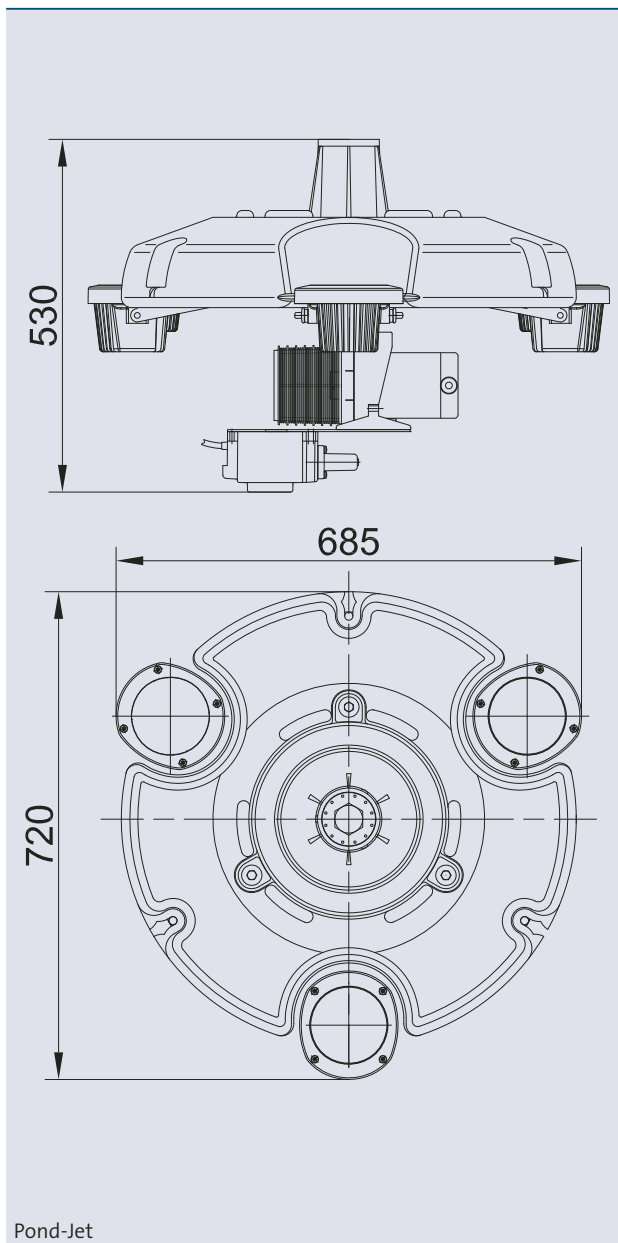


Pond-Jet



Pump performance curve





Accessories (must be ordered separately)



Illumination Set Pond-Jet			
LunAqua 10 with 50 W each	3 x		3 x
Stainless steel holder	3 x		3 x
Transformer 150 VA	1 x		1 x
Cable length	20.0 [m]		75 [ft.]
Order no.	57083		51071

Fountain attachment with 1" thread for attachment to the multi-function nozzle

Schaumsprudler 35-10 E	
Fountain height [cm]	140
Order no.	50984

Pond-Jet		
Dimensions (Ø x H)	[mm]	670 x 540
Rated voltage	[V/Hz]	220 - 240 / 50
Power consumption	[W]	270
Flow Rate max.	[l/min.]	200
Flow Rate max.	[l/h]	12000
Head height max.	[m]	7.7
Pressure-side connection	[inch]	1"
Spray height	[m]	3.0
Filter surface area	[cm ²]	650
Cable length	[m]	20.0
Weight	[kg]	approx. 11.0
Order no.		57075

Pond-Jet		
Dimensions (Ø x H)	[ft]	2.2 x 1.8
Operating Voltage	[V / Hz]	110-120 / 60
Power Consumption	[W / A]	260 / 2.2
Flow Rate max.	[gpm]	40
Flow Rate max.	[gph]	2400
Head Height max.	[ft.]	28
Nozzle Connection	[in.]	1
Pattern Height max.	[ft.]	10
Pattern Width max.	[ft.]	10
Cable length	[ft.]	75
Weight	[lbs.]	16.8
Order no.		54019

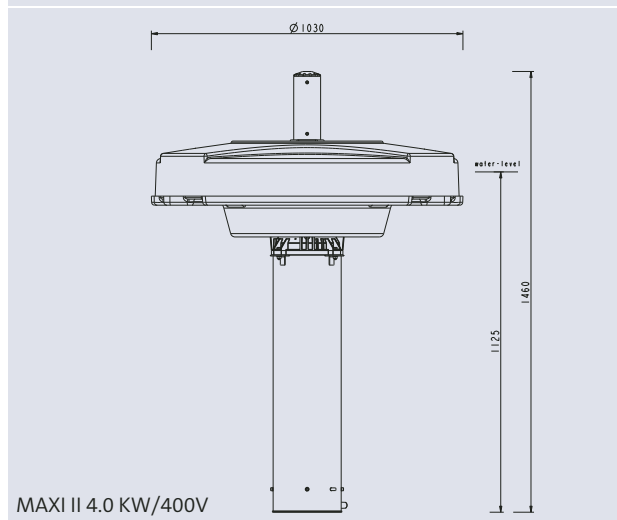
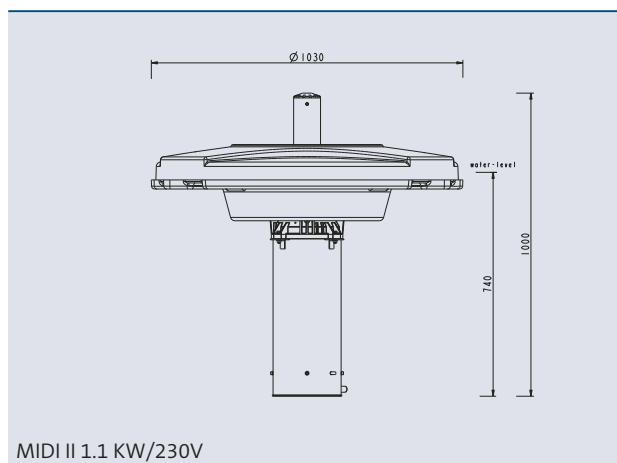


	Fresh Water	Pool Water	Sea Water	220-240 V	400 V	110-120 V	50 Hz	60 Hz
MIDI II 1.1 kW / 230 V	✓	✓	✓	✓	✓	✓	✓	✓
MIDI II 2.2 kW / 400 V	✓	✓	✓	✓	✓	✓	✓	✓
MAXI II 4.0 kW / 400 V	✓	✓	✓	✓	✓	✓	✓	✓
MIDI II 2HP / 230 V 60 Hz	✓	✓	✓	✓	✓	✓	✓	✓
MAXI II 5HP / 3-Phase	✓	✓	✓	✓	✓	✓	✓	✓

FLOATING FOUNTAIN MIDI II / MAXI II

Product characteristics at a glance

- Models from 1.1 to 4.0 KW and 2 HP to 5 HP
- Complete, ready-to-connect fountain in different motor horse powers
- Four easy-change nozzle patterns with 3" standard threads
- Foamed float for extraordinary stability and minimum noise
- Stainless steel pump basket
- Mounting set included
- Optional lighting set



Easy to install, low-maintenance and with an attractive design: The new MIDI/MAXI floating fountain features for interesting water effects both day and night.

Three different motor power outputs with confirming to standards earthed plugs (230 V) and motor circuit breaker or CEE plug (400 V) offer solutions for different bodies of water and conditions. Optimised water pressure creates impressive heights for the four available nozzle patterns with 3" standard threads for fast changing. The easy-to-install LunAqua 10 LED/01 illumination set provides for impressive illumination of the water features with a height of up to 16.5 m.



Schuko plugs + control box

The 230V version is delivered ready for operation with control box and Schuko connector.



CEE-connector + protection switch

The 400V version comes with a ready-to-connect, 5-pole CEE connector and motor protection switch

	MIDI II 1.1 KW/230V	MIDI II 2.2 KW/400V	MAXI II 4.0 KW/400V		MIDI II 2HP/230V 60Hz	MAXI II 5HP/3-Phase
Dimensions incl. Nozzle (Ø x H) [mm]	1030x 1000	1030 x 1040	1030 x 1460	[in.]	46 x 28	46 x 38
Motor power [kW]	1.1	2.2	4.0	[W/A]	2749 / 13.2	3738 / 19.8
Pump output [l/h]	22000	39000	39000	[l/h]		
Minimum water depth [mm]	1000	1000	1250	[ft.]	3	4
Protection class	IP 68	IP 68	IP 68		IP 68	IP 68
Rated current (230V/400V) [A]	7.3	5.5	9.6	[W/A]	2749 / 13.2	3738 / 19.8
Voltage [V/Hz]	230 AC / 50	400 AC / 50	400 AC / 50	[V/Hz]	230 / 60	208-230 / 60
Weight [kg]	43	40	60	[lbs]	88	132
Pump cable set (length) [m]	50	50	50	[ft.]	600	450
Order no.	50365	50370	50371		50372	50374

MIDI II / MAXI II FOUNTAIN ATTACHMENTS

FLOATING FOUNTAINS

FOUNTAIN ATTACHMENTS MIDI / MAXI



Geyser Jet 30

High Jet 30

Fresh Water	Pool Water	Sea Water



Fountain attachments	1 Geyser Jet 30			2 High Jet 30		
Pump power	1.1 kW/230 V	2.2 kW/400 V	4 kW/400 V	1.1 kW/230 V	2.2 kW/400 V	4 kW/400 V
Fountain height (total) [m]	5.0	8.0	12.0	9.0	11.5	16.5
Fountain height (1st step) [m]	–	–	–	–	–	–
Nozzle spray diameter [m]	1.7	2.2	2.7	3.0	3.2	3.5
Order no.	50377			50375		

All MIDI/MAXI attachments comes with 3"-thread.

Please find more information on our nozzles on page 32.



3



4



3

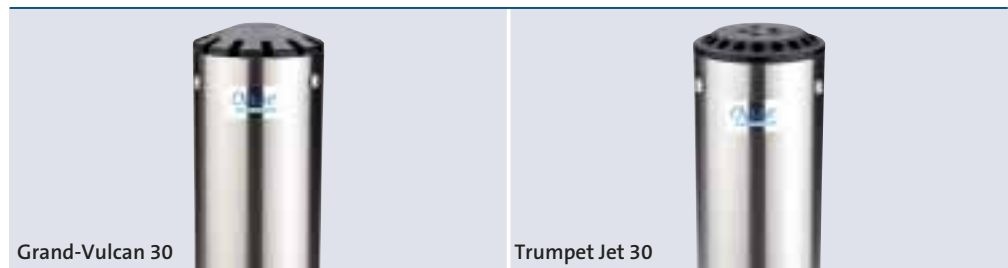


4

Grand-Vulcan 30

Trumpet Jet 30

Fresh Water	Pool Water	Sea Water



Grand-Vulcan 30

Trumpet Jet 30

Fountain attachments	3 Grand Vulcan 30			4 Trumpet Jet 30		
Pump power	1.1 kW/230 V	2.2 kW/400 V	4 kW/400 V	1.1 kW/230 V	2.2 kW/400 V	4 kW/400 V
Fountain height (total) [m]	3.0	5.0	7.0	5.0	7.0	9.5
Fountain height (1st step) [m]	–	–	–	1.2	1.5	2.5
Nozzle spray diameter [m]	4.0	6.0	6.8	4.0	5.5	7.5
Order no.	50376			50378		

All MIDI/MAXI attachments comes with 3"-thread.

Please find more information on our nozzles on page 40.



	Fresh Water	Pool Water	Sea Water	220-240 V	400 V	110-120 V	50 Hz	60 Hz	12 V AC	24 V DC	DMX	DMX/RDM	Plug and Spray
Illumination Set Pond-Jet 57083	✓	✓	✓	✓	✓	✓	✓	✓	✓	✓	✓	✓	✓
Illumination Set Pond-Jet 51071	✓	✓	✓	✓	✓	✓	✓	✓	✓	✓	✓	✓	✓
Illumination Set MIDI/MAXI/AirFlo	✓	✓	✓	✓	✓	✓	✓	✓	✓	✓	✓	✓	✓

ILLUMINATION SETS POND-JET / MIDI II / MAXI II

ILLUMINATION SET POND-JET




Illumination Set Pond-Jet

ILLUMINATION SET MIDI II / MAXI II



Illumination Set MIDI / MAXI / AirFlo LED/01



ILLUMINATION SET POND-JET	ILLUMINATION SET POND-JET	ILLUMINATION SET MIDI/MAXI/AIRFLO LED/01
 <p>This illumination set includes three LunAqua 10 halogen spotlights and comes with UST 150 transformers, cables and a special mounting kit.</p> <p>By this, it is very easy to retrofit.</p>	 <p>This illumination set includes three LunAqua 10 halogen spotlights and comes with UST 150 transformers, cables and a special mounting kit.</p> <p>By this, it is very easy to retrofit.</p>	 <p>For an impressive floating fountain even at night – as easy as our proven MIDI/MAXI/AirFlo system, we offer you a LED version of our illumination kit with three spotlights each. A unique connection system makes it very easy to install the spotlights on the float. The UST 150 transformer is mounted easily to the pump basket directly.</p>
Set of 3 Halogen	Set of 3 Halogen	Set of 3 LED
3 x LunAqua 10, each with a 50 W halogen bulb	3 x LunAqua 10, each with a 50 W halogen bulb	3 x LunAqua 10 LED, each with a 10 W LED bulb
3 x Light mounting brackets	3 x Light mounting brackets	3 x Light mounting brackets
1 x Special stainless steel holder for fastening the transformer	1 x Special stainless steel holder for fastening the transformer	3 x Special stainless steel holder for fastening the transformer
1 x Safety transformer 150 VA, 230 V-12 V, 50 Hz incl. 20.0 m cable	1 x Safety transformer 150 VA, 120 V-12 V, 60 Hz incl. 75 ft. cable	1 x Safety transformer 150 VA, 230 V-12 V, 50 Hz incl. 50.0 + 2.0 m cable
Order no. 57083	51071	50479

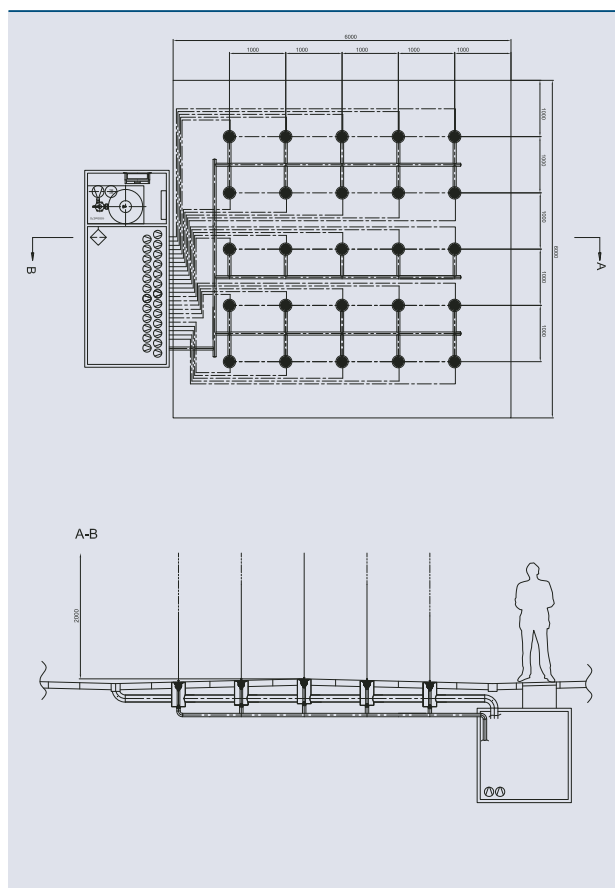


SYSTEM – EXAMPLE »MATRIX 25«

Fun for everyone: Five times five pumps, each with Komet nozzles and LED spotlights can be individually controlled via DMX technology and to create an interactive water experience. The Nozzle Chambers make an invisible and easy installation possible. Such a matrix can generate different water compositions such as a pyramid or a suspended carpet in a wide variety of colours.

The following OASE products are used amongst others:

- Varionaut 150
- ProfiPlane
- Comet
- Nozzle Chamber Single
- Easy Control



PUMPS BRING WATER INTO ACTION

CONTROLLABLE PUMPS

CLASSIC PUMPS

Pumps ensure that we can take pleasure in the never-ending play of water; they enable fountains, water features, water-courses, and water falls to come alive.

OASE offers the suitable pump for any requirement; the innovative controllable Varionaut-pumps or the classic pump. The new generation of Varionaut-pumps are DMX/RDM controlled and can send information back to the control panel, e.g. running time and electronic temperature. These status requests require remote diagnosis and remote maintenance which are the service concept of the future.

The Varionaut 1/DMX/01 is renamed in Varionaut 90 24 V/DMX/02 and RDM capable (90=max. flow rate, 02=RDM capable) also the Varionaut 2/DMX/01 in Varionaut 150/DMX/02.

New in Varionaut Range:
 Varionaut 150 24 V/DMX/02
 Varionaut 365/DMX/02



- **Controllable Pumps**
 - Varionaut page 70
- **Classic Pumps**
 - Water feature pumps page 78
 - Universal pumps page 82
 - Block centrifugal pumps page 84
 - Submersible motor-driven pumps page 86



	Fresh Water	Pool Water	Sea Water	220-240 V	400 V	110-120 V	50 Hz	60 Hz	12 V AC	24 V DC	DMX	DMX/RDM	Plug and Spray
Varionaut 90 24V/DMX/02	✓	✓	✓	✓	✓	✓	✓	✓	✓	✓	✓	✓	✓
Varionaut 1 /A/DMX/01	✓	✓	✓	✓	✓	✓	✓	✓	✓	✓	✓	✓	✓

VARIONAUT 90 24V/DMX/02, VARIONAUT 1

A 24 V/DC indoor and outdoor fountain pump which is suitable for underwater application directly below the nozzles. It fulfills the national regulations of DC current up to 30 V. Any single pump can be individually regulated and controlled via the DMX/RDM connection. That way dynamic water effects can be created easily.

The Varionaut 90 or Varionaut 1/A itself produces water displays of up to 1.90 m height – in combination with Comet 5-8 Silver nozzles. It comes with a high-quality stainless steel filter housing, along with 2 connection boxes for the 24 V power supply (only the Varionaut 90) and DMX data source. Through this special connection technology, wiring by hand is no longer necessary. Spotlights and

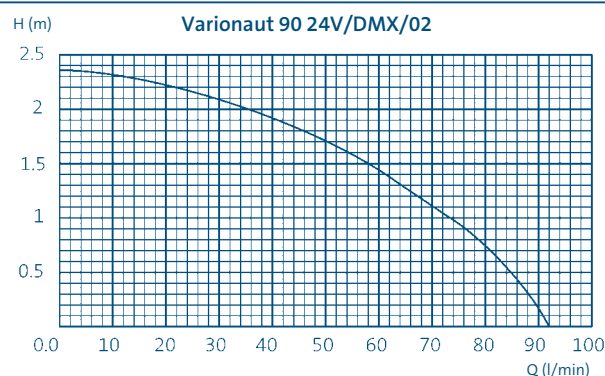
other consumer loads (e.g. LED spotlights) can be connected easily to DMX/RDM of the pump.

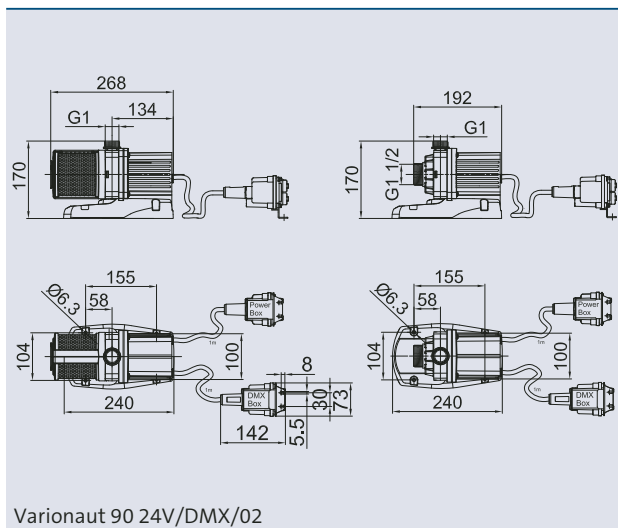
Product characteristics at a glance

- 24 Volt DC continuous current indoor and outdoor fountain pump
- Can be placed directly below the nozzles in the water as DC up to 30V/DC is approved by national regulations
- Suitable for wet or dry installation
- Power consumption of max. 53 W
- Reverse polarity protection
- 1m power cable with power box and 1m DMX cable with DMX box
- Frost protected up to -20° C
- IP 68 rated

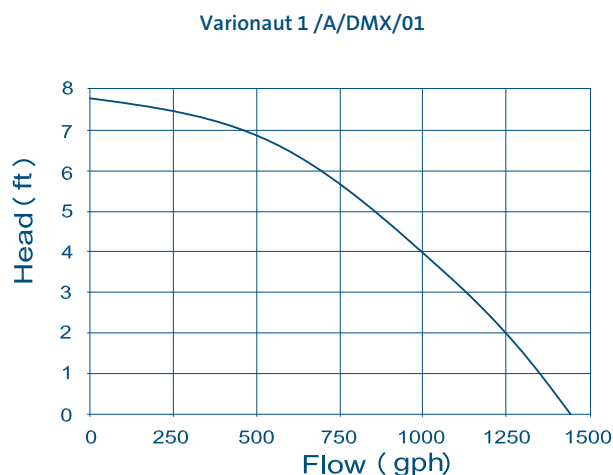


Varionaut 90 24V/DMX/02





Varionaut 90 24V/DMX/02



To operate the Varionaut 90 or Varionaut 1/A an OASE Easy Control or OASE WECS is required (not included).

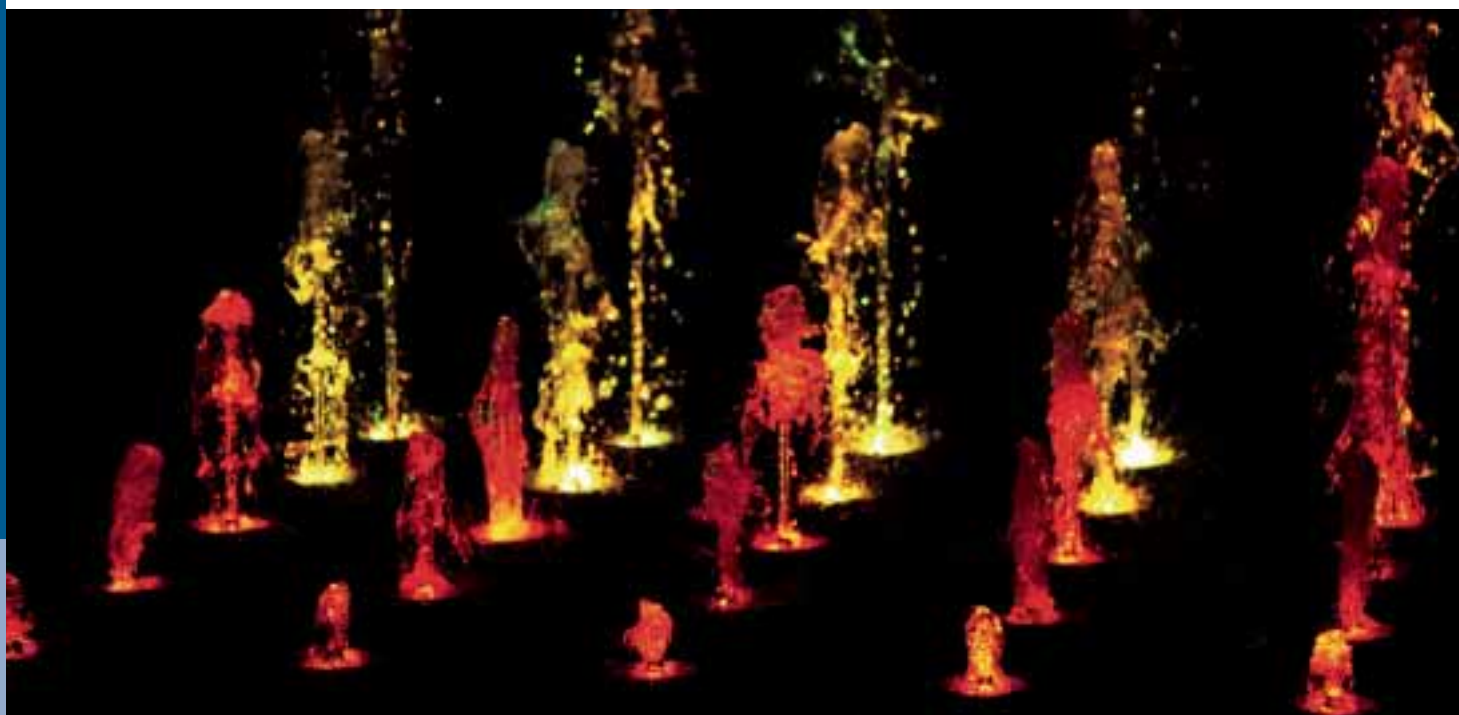
Accessories (must be ordered separately)

Comet 5-8 Silver (see page 26)	50762
Comet 5-8 T (see page 28)	50962

Connecting cable DMX/01 (see page 120)	Order no.
Connecting cable DMX/1.0 m/01	12368
Connecting cable DMX/3.0 m/01	12369
Connecting cable DMX/5.0 m/01	12371
Connecting cable DMX/10.0 m/01	12372
Connecting cable DMX/20.0 m/01	12373
End Resistant for Bus-System DMX/01	12007

Connecting cable 24V DC/01 (see page 118)	Order no.
Connecting cable 24V DC /1.0 m/01	12762
Connecting cable 24V DC /3.0 m/01	12552
Connecting cable 24V DC /7.5 m/01	12553
Connecting cable 24V DC /15.0 m/01	11720
PowerBox 24 V DC / 01 (see page 118)	50493
Underwater power supply 250/24 V/01 (see page 122)	50733
Easy Control (see page 126)	50289
Easy Control (see page 126)	50175
WECS 1024 (see page 128)	50596
WECS 2048 (see page 128)	50597

	Varionaut 90 /24V/DMX/02		Varionaut 1 /A/DMX/01	
Motor Type/ Electronic	24V DC EC-Motor, DMX controlled		24V DC EC-Motor, DMX controlled	
Hmax	[m]	2.45	[ft]	8.0
Qmax	[l/min]	90	[gph]	1430
Power max.	[W]	60	[W]	60
Dynamic behaviour speed: (time to reach full fountain height from 0 – 100 %) with comet 5-8	[s]	0.6	[s]	0.6
Qmin (offset mode – DMX 0)	[l/min]	26	[gph]	412
Max. Powering up / min. Off time	[s]	1 x per minute / 10	[s]	1 x per minute / 10
Nominal voltage	[V/DC]	24	[V/DC]	24
Immersion depth max.	[m]	4	[ft]	13
Protection class		IP 68		IP 68
Dimensions incl. filter (LxWxH)	[mm]	268 x 142 x 170	[inch]	10.6 x 5 x 6.7
Suction side connection	[inch]	1 ½	[inch]	1 ½
Pressure side connection	[inch]	1	[inch]	1
Weight	[kg]	3.7	[lb]	8
Filter housing		stainless steel / plastic	[m]	stainless steel / plastic
Filter surface	[cm²]	200		0.21
Pump housing		plastic	[sq.ft]	plastic
Input DMX		1 m BUS cable with DMX box		3 ft BUS cable with DMX box
Input power		1 m power cable with power box		20 ft power cable without power box
Number of DMX channels		2 channels (control channel, speed channel)		2 channels (control channel, speed channel)
Environmental conditions: submersible application	[°C]	Water temperature: min. 4 to max. 35	[°C]	Water temperature: min. 4 to max. 35
Environmental conditions: dry application	[°C]	Ambient temperature: max. 30 with natural convection, max. 40 with forced convection, no direct sun exposure permitted	[°C]	Ambient temperature: max. 30 with natural convection, max. 40 with forced convection, no direct sun exposure permitted
Order no.		50136		50309



	Fresh Water	Pool Water	Sea Water	220-240 V	400 V	110-120 V	50 Hz	60 Hz	12 V AC	24 V DC	DMX	DMX/RDM	Plug and Spray
Varionaut 150 24V/DMX/02	✓	✓	✓	✓	✓	✓	✓	✓	✓	✓	✓	✓	✓

VARIONAUT 150 24V/DMX/02

The Varionaut 150 24V/DMX/02 is a DMX-RDM compatible 24 Volt DC pump. It fulfils national regulations of DC continuous current up to 30 V which permits this pump to be used directly below the nozzles in the pool. This individually regulated pump creates dynamic water effects. The Varionaut 150 24 V itself produces fountains of up to 3.1 m height in combination with Comet 10-12 T nozzles.

The Varionaut 150 24V is the big sister of the Varionaut 90 24V. It comes with a high-quality stainless steel filter housing, along with 2 connection boxes for the 24 V power supply and

DMX/RDM data source. Through this special connection technology, wiring by hand is no longer necessary. Spotlights and other consumer loads (e.g. LED spotlights) can be connected easily to DMX/RDM of the pump.

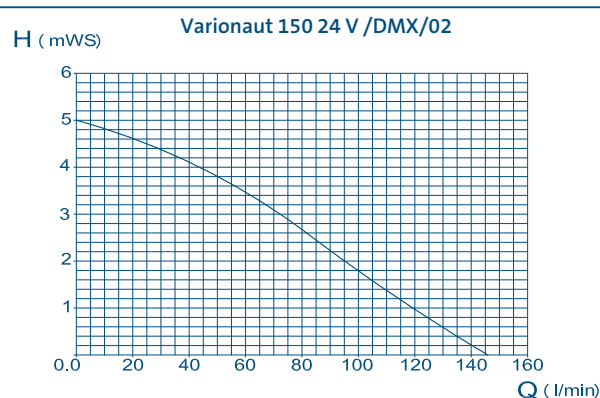
Product characteristics at a glance

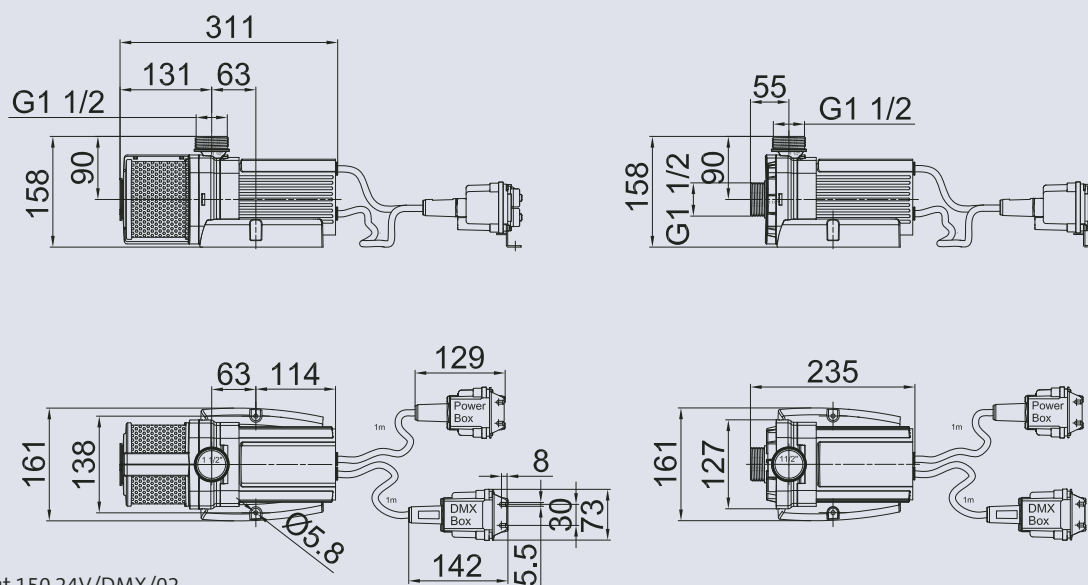
- 24V / DC fountain pump for indoor and outdoor application
- Suitable for wet installation
- Power consumption of max. 120 W
- Reverse polarity protection
- With 1 m BUS and power cable, each with a connection box
- Frost protected up to -20° C
- All parts IP 68 rated

INNOVATION – MADE BY OASE



Varionaut 150 24V/DMX/02





Varionaut 150 24V/DMX/02

To operate the Varionaut 150 24 V an OASE Easy Control or OASE WECS is required (not included).

Accessories (must be ordered separately)

Comet 10-12 T (see page 28)	50968
Reducing Sleeve 15x10 (see page 197)	51032
Connecting cable DMX/01 (see page 120)	Order no.
Connecting cable DMX/1.0 m/01	12368
Connecting cable DMX/3.0 m/01	12369
Connecting cable DMX/5.0 m/01	12371
Connecting cable DMX/10.0 m/01	12372
Connecting cable DMX/20.0 m/01	12373
End Resistant for Bus-System DMX/01	12007

Connecting cable 24V DC/01 (see page 118)	Order no.
Connecting cable 24V DC /1.0 m/01	12762
Connecting cable 24V DC /3.0 m/01	12552
Connecting cable 24V DC /7.5 m/01	12553
Connecting cable 24V DC /15.0 m/01	11720
PowerBox 24 V DC / 01 (see page 118)	50493
Underwater power supply 250/24 V/01 (see page 122)	50733
Easy Control (see page 126)	50289
Easy Control (see page 126)	50175
WECS 1024 (see page 128)	50596
WECS 2048 (see page 128)	50597

		Varionaut 150 24V/DMX/02
Motor Type / Electronic		24V DC EC-Motor, DMX Controlled (DMX-RDM enabled)
Hmax	[m]	5
Qmax	[l/min]	145
Power max.	[W]	120
Dynamic behaviour speed: (time to reach full fountain height from 0 – 100 %) with Comet 10-12	[s]	1
Qmin (offset mode – DMX 0)	[l/min]	22
Max. Powering up / min. Off time		1 x per minute / 10 s
Nominal voltage	[V/DC]	24
Immersion depth max.	[m]	4
Protection class		IP 68
Dimensions incl. filter (LxWxH)	[mm]	311 x 161 x 158
Suction side connection	[inch]	1 ½
Pressure side connection	[inch]	1 ½
Weight	[kg]	5
Filter housing		stainless steel / plastic
Filter surface	[cm²]	ca. 220
Pump housing		plastic
Input DMX		1m BUS cable with DMX box
Input power		1m 24V power cable with power box
Number of DMX channels		2 channels (control channel, speed channel)
Environmental conditions: submersible application	[°C]	Water temperature: min. 4 to max. 35
Environmental conditions: dry application	[°C]	Ambient temperature: max. 30°C with natural convection, max. 40 with forced convection, no direct sun exposure permitted
Order no.		50665



	Fresh Water	Pool Water	Sea Water	220-240 V	400 V	110-120 V	50 Hz	60 Hz	12 V AC	24 V DC	DMX	DMX/RDM	Plug and Spray
Varionaut 150/DMX/02	✓	✓	✓	✓	✓	✓	✓	✓	✓	✓	✓	✓	✓
Varionaut 2 /A/DMX/01	✓	✓	✓	✓	✓	✓	✓	✓	✓	✓	✓	✓	✓

VARIONAUT 150/DMX/02, VARIONAUT 2/A/DMX/01

The 230 Volt – alternating current – version of the Varionaut manages to connect to a Comet 10-12 T shoot to height of up to 3.50 m. Any single pump can be individually regulated and controlled by the DMX connection. With this dynamic water effects can be created easily.

The Varionaut 150/DMX/02 comes with a power connection cable of 10 m and a DMX cable of 1 m. With these special connection boxes, hand wiring is no longer necessary. Spotlights and other consumer loads (eg. LED spotlights) can easily be connected to the DMX of the pump.

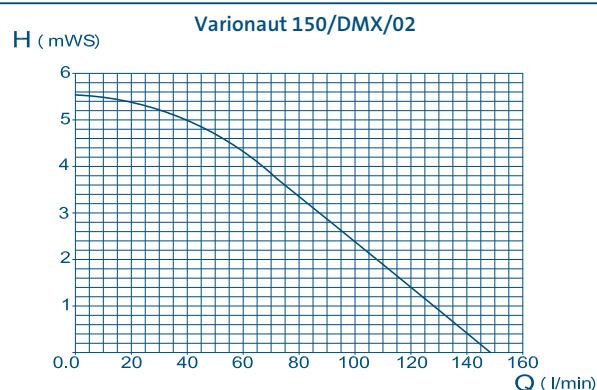
The Varionaut 150/DMX/02 has a power consumption of 130 W and a power supply of AC 220-240V 50/60Hz.

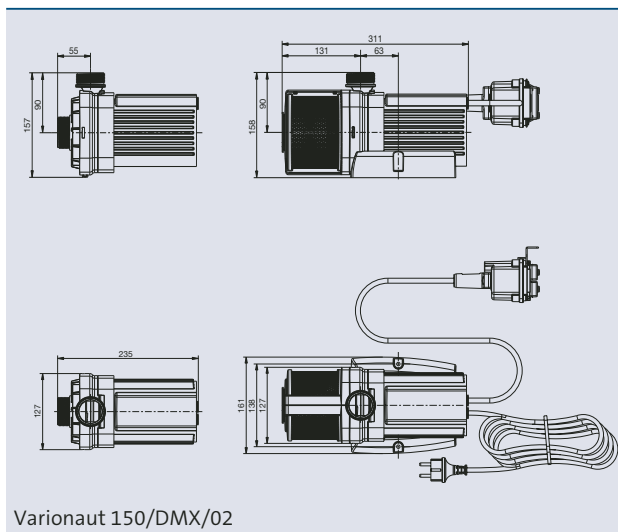
Product characteristics at a glance

- 230V/AC fountain pump with alternating current for the application indoor and outdoor
- Suitable for wet or dry installation
- Power consumption of max. 130 W
- 10m power cable with plug and 1m DMX cable with DMX box
- IP 68 rated
- RDM-DMX capable

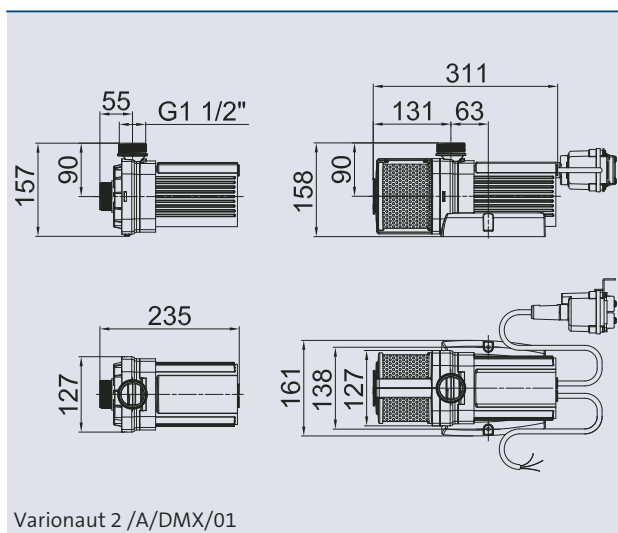


Varionaut 150/DMX/02





Varionaut 150/DMX/02

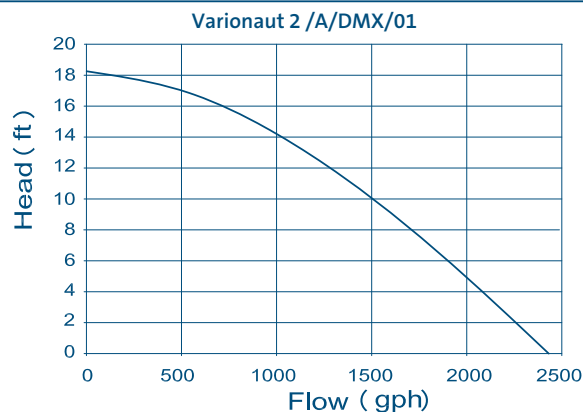


Varionaut 2 /A/DMX/01

To operate the Varionaut 150 or Varionaut 2/A an OASE Easy Control or OASE WECS is required (not included).

Accessories (must be ordered separately)

Comet 10-12 T (see page 28)	50968
Reducing Sleeve 15x10 (see page 197)	51032
Connecting cable DMX/01 (see page 120)	Order no.
Connecting cable DMX/1.0 m/01	12368
Connecting cable DMX/3.0 m/01	12369
Connecting cable DMX/5.0 m/01	12371
Connecting cable DMX/10.0 m/01	12372
Connecting cable DMX/20.0 m/01	12373
End Resistant for Bus-System DMX/01	12007
Easy Control (see page 126)	50175
Easy Control (see page 126)	50289
WECS 1024 (see page 128)	50596
WECS 2048 (see page 128)	50597



	Varionaut 150/DMX/02		Varionaut 2 /A/DMX/01	
Motor Type/ Electronic	230V EC-Motor, DMX controlled		230V EC-Motor, DMX controlled	
Hmax	[m]	5.6	[ft]	17.4
Qmax	[l/min]	150	[gph]	2400
Power max.	[W]	130	[W]	130
Dynamic behaviour speed: (time to reach full fountain height from 0 – 100 %) with Comet 10-12	[s]	1	[s]	1
Qmin (offset mode – DMX 0)	[l/min]	24	[gph]	380
Max. Powering up / min. Off time	[s]	1 x per minute / 10	[s]	1 x per minute / 10
Nominal voltage	[V/Hz]	220-240, 50/60	[V/Hz]	220-240, 50/60
Immersion depth max.	[m]	4	[ft]	13
Protection class		IP 68		IP 68
Dimensions incl. filter (LxWxH)	[mm]	311 x 161 x 158	[inch]	12.3 x 6.4 x 6.3
Suction side connection	[inch]	1 ½	[inch]	1 ½
Pressure side connection	[inch]	1 ½	[inch]	1 ½
Weight	[kg]	4.9	[lb]	10.8
Filter housing		stainless steel / plastic		stainless steel / plastic
Filter surface	[cm²]	223	[sq.ft]	0.24
Pump housing		plastic		plastic
Input DMX		1 m BUS cable with DMX box		3 ft BUS cable with DMX box
Input power		10 m power cable with plug		20 ft power cable without plug
Number of DMX channels		2 channels (control channel, speed channel)		2 channels (control channel, speed channel)
Environmental conditions: submersible application	[°C]	Water temperature: min. 4 to max. 35	[°C]	Water temperature: min. 4 to max. 35
Environmental conditions: dry application	[°C]	Ambient temperature: max. 30 with natural convection, max. 40 with forced convection, no direct sun exposure permitted	[°C]	Ambient temperature: max. 30 with natural convection, max. 40 with forced convection, no direct sun exposure permitted
Order no.		50343		50344



Varionaut 365/DMX/02	Fresh Water	Pool Water	Sea Water	220-240 V	400 V	110-120 V	50 Hz	60 Hz	12 V AC	24 V DC	DMX	DMX/RDM	Plug and Spray
	✓	✓	✓	✓	✓	✓	✓	✓	✓	✓	✓	✓	✓

VARIONAUT 365/DMX/02

The Varionaut 365/DMX/02 is the strongest DMX-RDM compatible pump. This individually regulated pump creates dynamic water effects – it manages to reach the maximum fountain height in only 1.8 sec.

The Varionaut 365/DMX/02 comes with a power connection cable of 10 m and a DMX/RDM connection box, hence hand wiring is no longer necessary. Spotlights and other consumer loads (e.g.

LED spotlights) can be connected easily to DMX/RDM of the pump. The DMX/RDM controlled Varionaut pumps can send information back to the control panel, e.g. running time and electronic temperature. These status requests require remote diagnosis and remote maintenance which are the service concept of the future. The Varionaut 365 dispose of a very high control resolution – step response is smaller than 1 % of the total height.

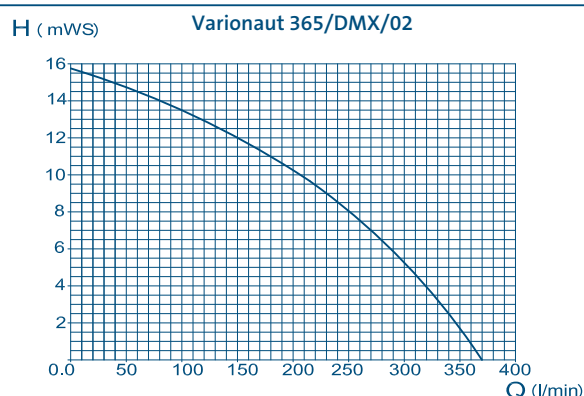
INNOVATION – MADE BY OASE

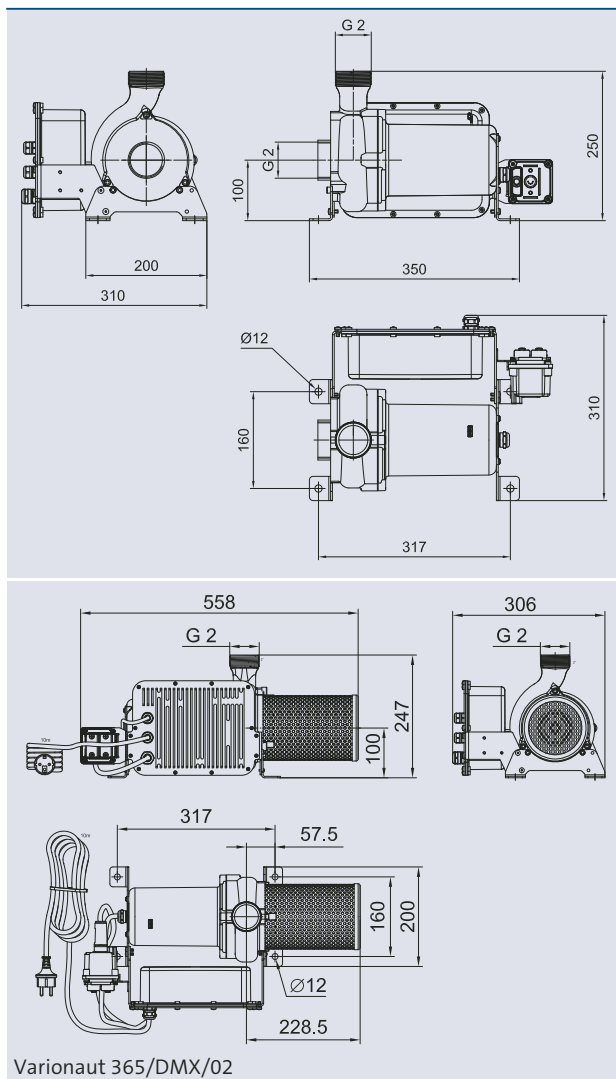


Varionaut 365/DMX/02

Product characteristics at a glance

- Without initial current
- Continuously variable by DMX (flow rate)
- RDM - DMX capable
- Suitable for wet or dry installation
- 10 m power cable with plug and DMX connection box
- IP 68 rated





Varionaut 365/DMX/02

Accessories (must be ordered separately)

Comet 10-14 T (see page 28)	50969
Comet 15-17 T (see page 28)	50970
Comet 15-20 T (see page 28)	50971
Comet 10-14 Silver (see page 26)	50723
Comet 15-17 Silver (see page 26)	50724
Rotating Nozzle 5-15 E (see page 42)	50967
Reducing Sleeve 15x10 (see page 197)	51032
Reducing Sleeve 20x15 (see page 197)	51030

Connecting cable DMX/01 (see page 120)	Order no.
Connecting cable DMX/1.0 m/01	12368
Connecting cable DMX/3.0 m/01	12369
Connecting cable DMX/5.0 m/01	12371
Connecting cable DMX/10.0 m/01	12372
Connecting cable DMX/20.0 m/01	12373
End Resistant for Bus-System DMX/01	12007

Easy Control (see page 126)	50289
Easy Control (see page 126)	50175

WECS 1024 (see page 128)	50596
WECS 2048 (see page 128)	50597

		Varionaut 365/DMX/02
Motor Type / Electronic		230V EC-Motor, DMX controlled
Hmax	[m]	16
Qmax	[l/min]	365
Power max.	[W]	800
Dynamic behaviour speed: (time to reach full fountain height from 0 – 100 %)		Response time approx. 1.8 s based on max. height. Step response < 1% of the total fountain height?
Qmin (offset mode – DMX 0)	[l/min]	45
Max. Powering up / min. Off time		1 x per minute / 10 s
Nominal voltage	[V], [Hz]	230, 50/60
Immersion depth max.	[m]	4
Protection class		IP 68
Dimensions incl. filter (LxWxH)	[mm]	560 x 310 x 250
Suction side connection	[inch]	thread G2 (internal thread)
Pressure side connection	[inch]	thread G2 (external thread)
Weight	[kg]	17
Filter housing		stainless steel
Filter surface	[cm²]	approx. 1100
Pump housing		Brass Casting
Input DMX		0.5 m BUS-cable with DMX box
Input power		10 m power cable with plug
Number of DMX channels		2 channels (control channel, speed channel)
Environmental conditions: submersible application	[°C]	Water temperature: min. 4 to max. 35
Environmental conditions: dry application	[°C]	Ambient temperature: max. 30 with natural convection, max. 40 with forced convection, no direct sun exposure permitted
Order no.		50526



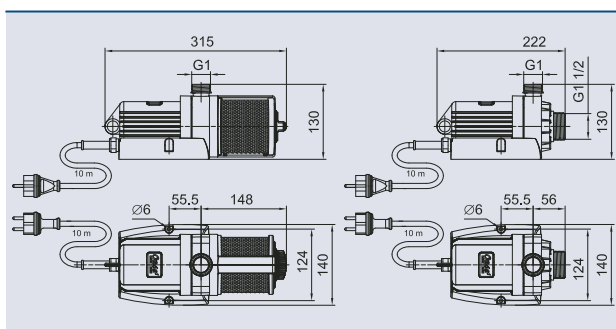
	Fresh Water	Pool Water	Sea Water	220-240 V	400 V	110-120 V	50 Hz	60 Hz
Aquarius Universal 5000								

AQUARIUS UNIVERSAL 5000

Product characteristics at a glance

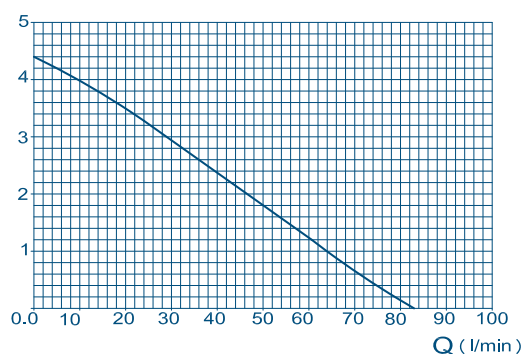
- Extremely quiet operation
- Easy adjustment of the flow rate
- Integrated thermal protection – from 600 onwards
- Suitable for wet or dry installations
- Energy-efficient thanks to low energy consumption

- Frost-resistant to $-20\text{ }^{\circ}\text{C}$
- High-quality workmanship with stainless steel
- Priming even at low water levels
- Removable pedestal for installation where space is at a premium



Aquarius Universal 5000

H (mWS) Aquarius Universal 5000



Aquarius Universal 5000

Dimensions (L x W x H)	[mm]	315 x 140 x 130
Rated voltage	[V/Hz]	220–240 / 50
Power consumption	[W]	85
Power cable length	[m]	10
Net weight	[kg]	3.42
Max. flow rate	[l/min]	83
Max. flow rate	[l/h]	5000
Max. head height	[m]	4.50
Connection, pressure-side	[inch]	1
Connection, suction-side	[inch]	1 ½
Connection for hoses	[inch]	1, 1 ¼, 1 ½
Filter intake surface	[cm ²]	200
Electronic adjustment		Yes
Order no.		56617

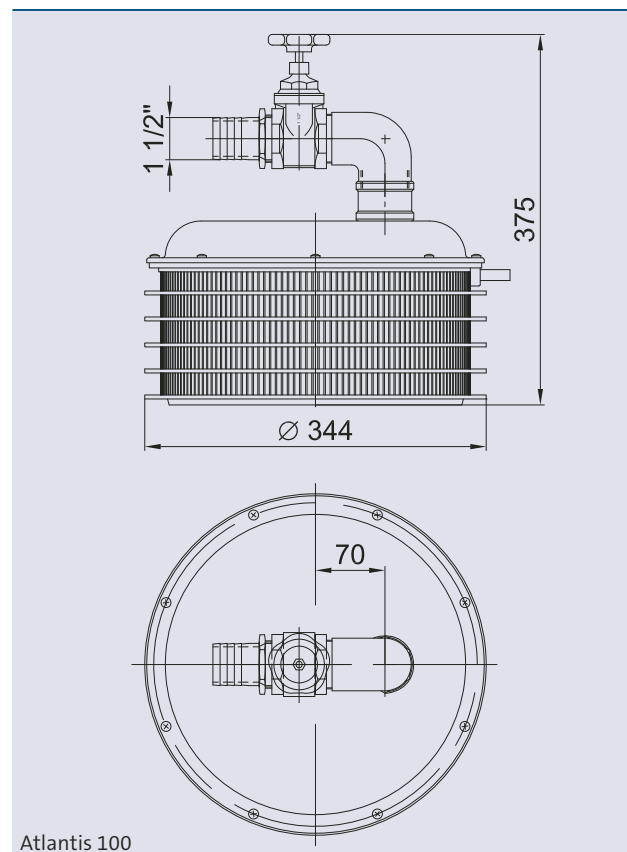
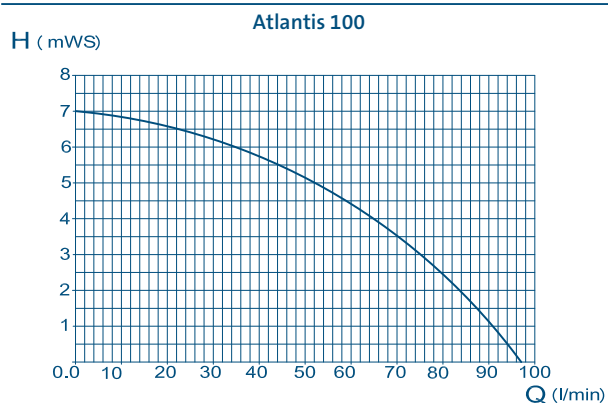


	Fresh Water	Pool Water	Sea Water	220-240 V	400 V	110-120 V	50 Hz	60 Hz	12 V AC	24 V DC
Atlantis 100										

ATLANTIS 100

Product characteristics at a glance

- Submersible motor-driven pump with high-volume filter basket for Jumping Jet Rainbow Flash II
- Integrated thermo protection

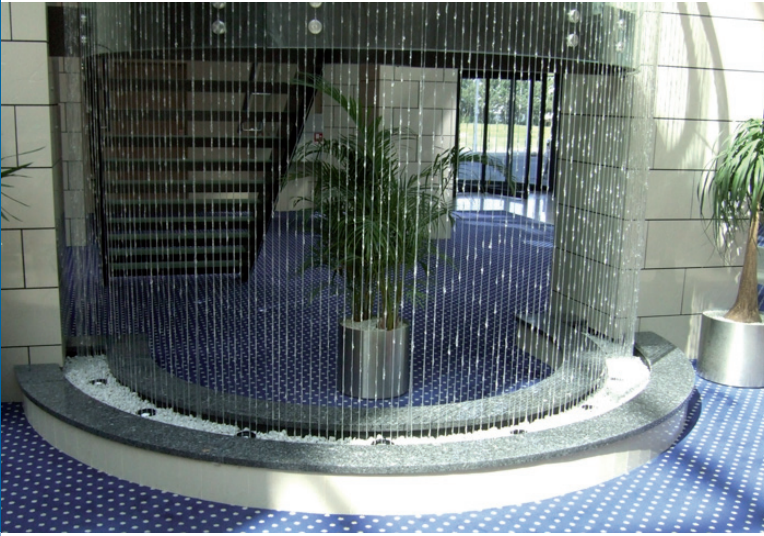


Atlantis 100



Atlantis 100

Atlantis 100		
Dimensions (ø x H)	[mm]	344 x 375
Nominal voltage	[V/Hz]	230 / 50
Power consumption	[W]	260
Nominal current	[A]	1
Pressure side connection	[inch]	1 ½
Connection cable length	[m]	10
Weight	[kg]	8.6
Order no.		51038



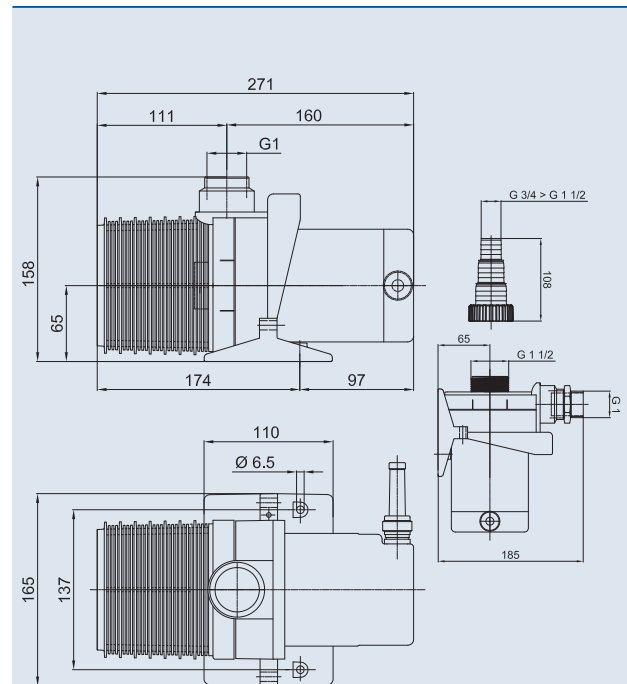
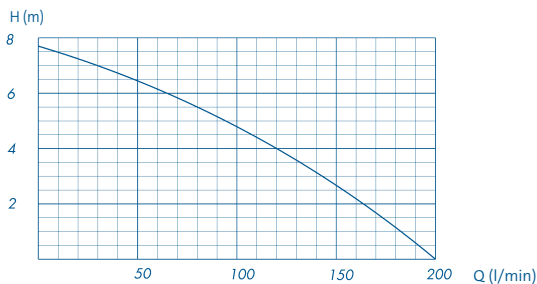
	Fresh Water	Pool Water	Sea Water	220-240 V	400 V	110-120 V	50 Hz	60 Hz
USP Classic 200								

USP CLASSIC 200

Product characteristics at a glance

- Suitable for wet and dry installations
- Robust wet-running canned motor
- Wear-free static seals
- Bearings and motor shaft are made of special ceramics
- Motor housing and can are made of stainless steel
- High-volume filter basket made of high-quality plastic
- Including hose connection adapters

Pump performance curve



USP Classic 200



USP Classic 200

USP Classic 200

Dimensions (L x W x H)	[mm]	271 x 158 x 165
Rated voltage	[V/Hz]	230 / 50
Power consumption	[W]	270
Nominal current	[A]	1
Pressure side connection	[inch]	1
Suction side connection	[inch]	1 ½
Filter surface	[cm ²]	1325
Connection cable length	[m]	20
Material		V2A, Tb, ABS
Weight	[kg]	5.0
Order no.		56734



	Fresh Water	Pool Water	Sea Water	220-240 V	400 V	110-120 V	50 Hz	60 Hz
Atlantis 350								

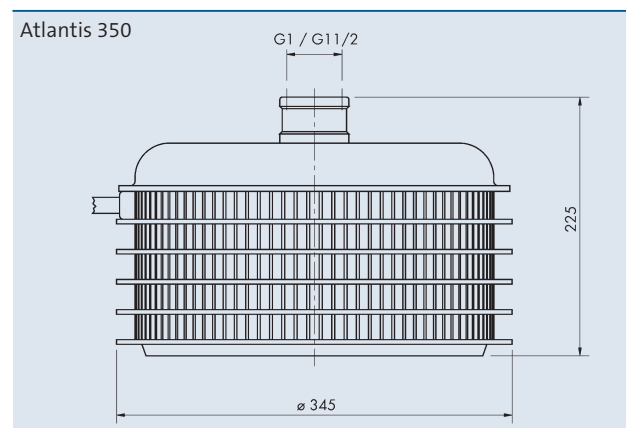
ATLANTIS 350

This high-performance submersible water feature-/motor-driven pump has been specially designed for underwater operation in spray fountain installations. The use of high quality materials such as stainless steel, tombac, and glass-fibre reinforced materials underline its solid construction.

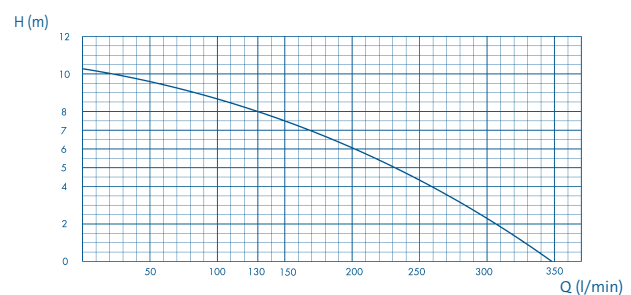
The pump has a robust wet-running canned motor and works without shaft seal. Motor, pump shaft and bearings are made of oxide ceramic, which contributes to endurance that is especially quiet with low friction.

Product characteristics at a glance

- Symmetric form for maximum stability
- Robust wet-running canned motor
- High-volume filter basket made of high-quality plastic



Pump performance curve



Atlantis 350

Atlantis 350		
Dimensions (ø x H)	[mm]	345 x 225
Rated voltage	[V/Hz]	230 / 50
Power consumption	[W]	550
Nominal current	[A]	2.6
Pressure side connection	[inch]	1, 1 1/2
Filter surface	[cm ³]	1325
Connection cable length	[m]	10
Material		V2A, Tb, ABS
Weight	[kg]	17.0
Order no.		52004



	Fresh Water	Pool Water	Sea Water	220-240 V	400 V	110-120 V	50 Hz	60 Hz
USP 412 W	✓	✓	✓	✓	✓	✓	✓	✓
USP 413 D	✓	✓	✓	✓	✓	✓	✓	✓
USP 512 W	✓	✓	✓	✓	✓	✓	✓	✓
USP 513 D	✓	✓	✓	✓	✓	✓	✓	✓
USP 662 W	✓	✓	✓	✓	✓	✓	✓	✓
USP 663 D	✓	✓	✓	✓	✓	✓	✓	✓
USP 813 D	✓	✓	✓	✓	✓	✓	✓	✓
USP H 673 D	✓	✓	✓	✓	✓	✓	✓	✓

USP 412 – USP 813

These pumps are true universal talents: Set up underwater they perform their work as submersible motor-driven pumps. They work just as reliably if they are set up in a separate pump chamber.

The robust wet-running canned motors have static seals. Inrushing water poses no problem for these pumps because they can be submersed. In addition thanks to the high-quality materials, such as special ceramics, stainless steel, and tombac, they are durable and offer an extremely long service life.

Product characteristics at a glance

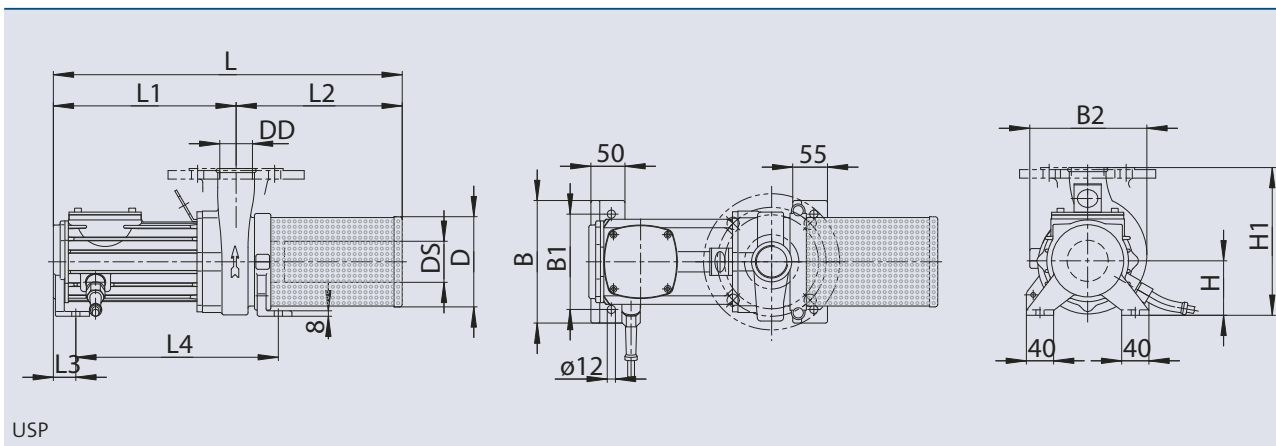
- Suitable for wet and dry installations
- Robust wet-running canned motor
- Wear-free static seals
- Bearings and motor shaft are made of special ceramics
- Shaft, can and pump impeller are made of stainless steel
- Housing made of corrosion resistant tombac alloy



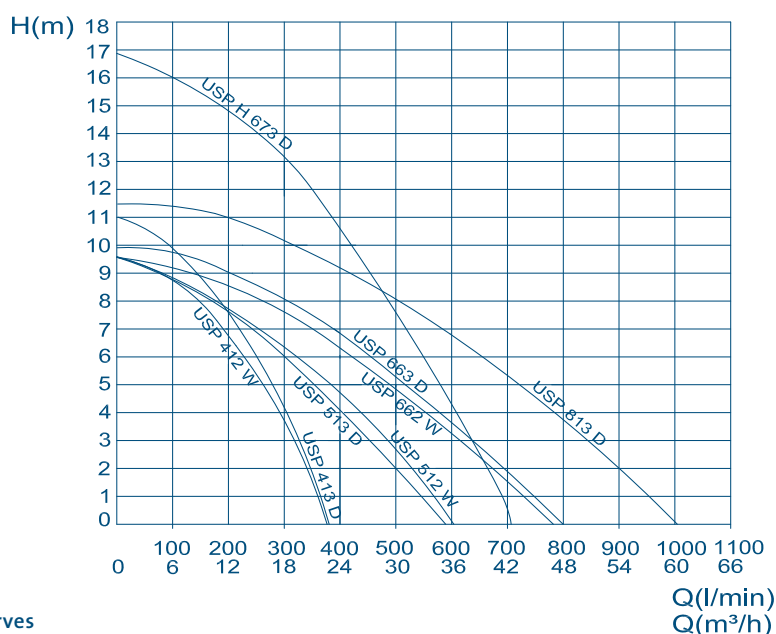
USP 412 W



USP 813 D



USP



Pump performance curves

	USP 412 W	USP 413 D	USP 512 W	USP 513 D	USP 662 W	USP 663 D	USP 813 D	USP H 673 D
Dimensions (LxWxH) [mm]	512 x 180 x 220	512 x 180 x 220	551 x 240 x 280	551 x 240 x 280	679 x 240 x 310	679 x 240 x 310	696 x 240 x 290	679 x 240 x 310
Voltage [V/Hz]	1x 230 / 50	3x 400 / 50	1x 230 / 50	3x 400 / 50	1x 230 / 50	3x 400 / 50	3x 400 / 50	3x 400 / 50
Power output [kW]	0.52	0.49	0.60	0.77	1.12	1.18	1.50	1.55
Current [A]	2.20	0.95	3.30	1.30	4.70	2.10	2.90	3.10
B [mm]	180	180	240	240	240	240	240	240
B1 [mm]	140	140	200	200	200	200	200	200
B2 [mm]	178	178	210	210	230	230	255	230
DD [inch]	1 ½	1 ½	2	2	2 ½	2 ½	DN 80	2 ½
DS [inch]	2	2	2 ½	2 ½	3	3	3	3
D [mm]	130	130	150	150	170	170	200	170
H [mm]	80	80	115	115	115	115	115	115
H1 [mm]	220	220	280	280	310	310	290	310
L [mm]	512	512	551	551	679	679	696	679
L1 [mm]	268	268	252	252	305	305	308	305
L2 [mm]	244	244	299	299	374	374	388	374
L3 [mm]	33	33	36	36	36	36	36	36
L4 [mm]	297	297	285	285	330	330	347	330
Cable length [m]	10.0							
Material [mm]	Tombac / Stainless steel							
Weight [kg]	22.0	22.0	31.0	31.0	37.0	37.0	42.0	37.0
Order no.	55721	55720	55727	55726	55732	55731	55735	56506



	Fresh Water	Pool Water	Sea Water	220-240 V	400 V	110-120 V	50 Hz	60 Hz
BT 0.55-40 to BT 22.0-125	✓	✓	✓	✓	✓	✓	✓	✓

BT 0.55-40 TO BT 22.0-125

BT block centrifugal pumps are strong, uncomplicated pumps that are used wherever space is limited.

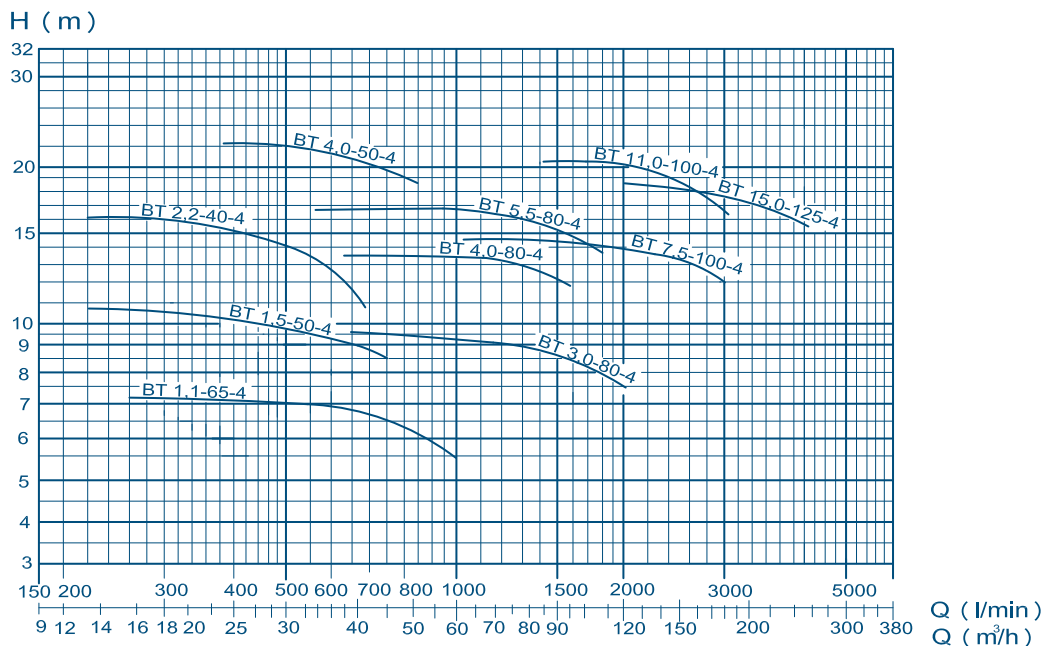
Product characteristics at a glance

- Dimensions and connections in accordance with DIN standards
- Motor in accordance with IEC standard
- Maintenance-free slide ring seal
- Enclosed impeller with high efficiency
- Dry installation only



BT 0.55-40

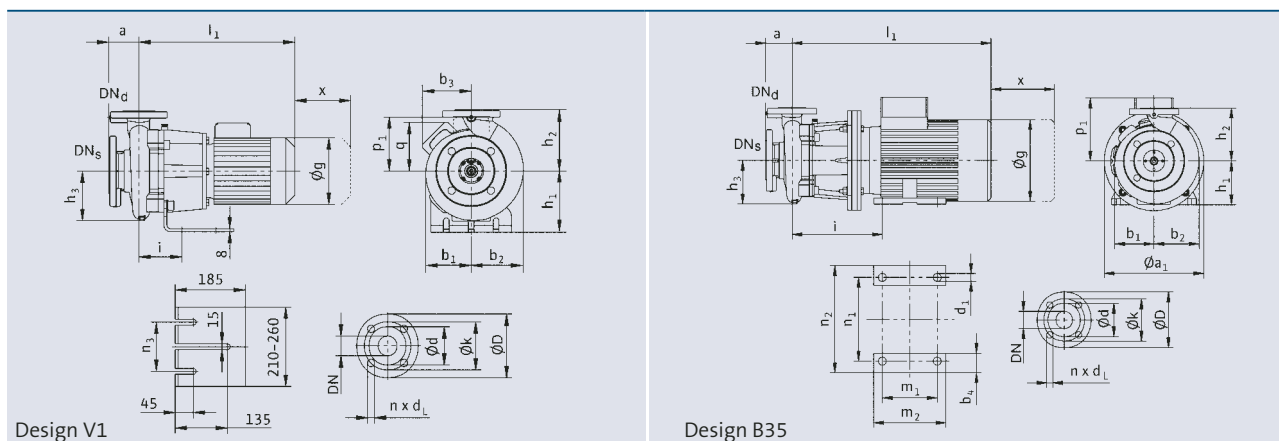
Pump performance curves



Thanks to their compact design they have very small space requirements. All dimensions and connections are DIN standard; this ensures universal implementation.

BT block centrifugal pumps are normal suction centrifugal pumps in spiral housings for dry installation with a motor in accordance with IEC standards. They comprise few parts that are important for their function,

which reduces maintenance work to a minimum. The few maintenance tasks that are necessary are executed quickly and easily. Thanks to the low rpm the pumps are very quiet in operation and are more durable. The enclosed impeller is highly efficient. The robust BT block centrifugal pumps are delivered as standard in grey cast iron. Upon request these pumps can also be delivered in special materials, such as bronze.



	2.2-40-4	1.5-50-4	4.0-50-4	1.1-65-4	3.0-80-4	4.0-80-4	5.5-80-4	7.5-100-4	11.0-100-4	15.0-125-4
Dimensions (LxWxH) [mm]	611x360x296	556x340x274	696x405x360	564x360x298	653x385x356	733x450x367	789x382x367	795x412x410	832x440x432	1011x515x514
Power output [kW]	2.20	1.50	4.00	1.10	3.00	4.00	5.50	7.50	11.0	15.0
Current [A]	4.7	3.4	8.2	2.6	6.4	8.2	11.4	15.2	21.5	28.5
Voltage [V/50 Hz]	400	400	400	400	400	400	400/YD	400/YD	400/YD	400/YD
Design	V1	V1	V1	V1	V1	V1	B35	B35	B35	B35
DN S [mm]	65	65	65	80	100	100	100	125	125	150
DN D [mm]	40	50	50	65	80	80	80	100	100	125
a [mm]	100	100	100		125	125	125	125	140	140
b1 [mm]	145	127	174	136	160	170	170	176	200	235
b2 [mm]	151	147	186	162	196	197	197	211	232	279
b3 [mm]	117	144	117	144	115					
b4 [mm]							53	53	60	60
d1 [mm]							12	12	15	15
g [mm]	202	186	227	181	202	227	266	266	319	319
h1 [mm]	180	160	132	160	160		180	132	132	180
h2 [mm]	180	180	225	200	225	250	250	280	280	355
h3 [mm]	145	152	179	155	185	178	178	196	222	256
i [mm]	124	122	131	130	137	143	318	262	383	419
l1 [mm]	511	456	596	464	528	608	664	692	792	871
n3 [mm]	180	130	180	130	180					
m1 [mm]							140	178	210	254
m2 [mm]							180	218	256	300
n1 [mm]							216	216	254	254
n2 [mm]							256	256	300	320
p1 [mm]				168	188	188	188	250	197	197
q [mm]	117		117	138						
t [mm]	60		68	75						
u [mm]	116		116	133						
x [mm]	100	120	110	120	135	120	120	120	130	140
ds [mm]	118	118	118	145	160	160	160	180	184	211
ks [mm]	145	145	145	160	180	180	180	210	210	240
n [mm]	4	4	4	8	8	8	8	8	8	8
dL [mm]	19	19	19	19	19	19	19	19	19	19
Material	GG	GG	GG	GG	GG	GG	GG	GG	GG	GG
Weight [kg]	65.0	56.0	84.0	60.0	88.0	86.0	106.0	119.0	173.0	231.0
Order no.	57041	57044	57046	57048	57051	57052	57053	57056	57057	57060



SPA 22 - SPA 280	Fresh Water	Pool Water	Sea Water	220-240 V	400 V	110-120 V	50 Hz	60 Hz

SPA 22 - SPA 280

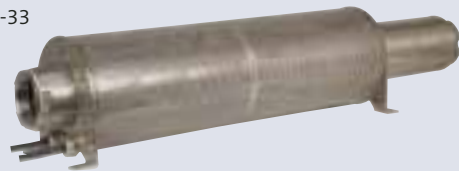
These multistage structured submersible motor-driven pumps are the powerful heart for high delivery heads.

These pumps can supply single fountains as well as group fountains with sufficient water volumes and pressure for larger spray heights. Thus they are preferred in installations in which the delivery head of single-stage pumps are no longer required.

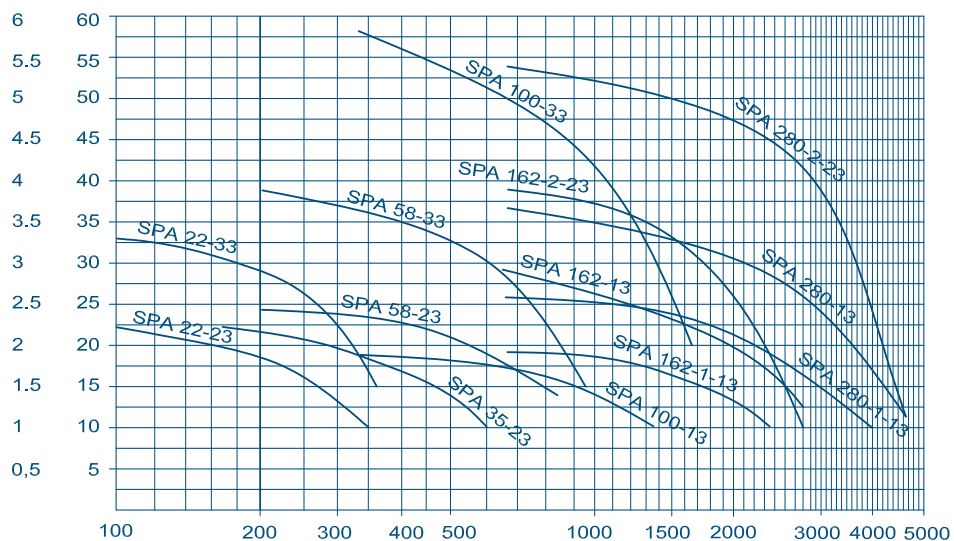
Product characteristics at a glance

- Extremely shallow and slender design
- Multistage submersible motor pump
- Suitable for higher delivery heights
- High-volume filter basket
- Good stability
- Robust wet-running canned motor
- All parts made of stainless steel

SPA 58-33

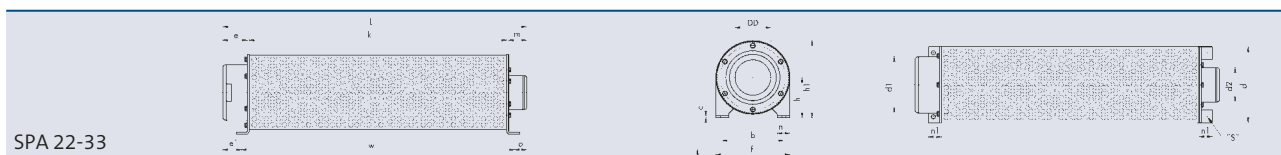


bar H(m)



Pump performance curves

Q(l/min)



SPA 22-33

	SPA 22-23	SPA 22-33	SPA 35-23	SPA 58-23	SPA 58-33	SPA 100-13	SPA 100-33
Dimensions (LxWxH) [mm]	680x225x229	888x225x229	898x225x229	970x225x229	1150x225x229	1162x310x314	1508x310x314
Voltage [V/Hz]	3x 400/50						
Power output [kW]	1.1	2.2	2.2	3	5.5	5.5	11
Current [A]	2.75	6	6	7.85	13.6	13.6	24.8
b [mm]	189	189	189	189	189	274	274
c [mm]	4	4	4	4	4	4	4
DD (Rp) [inch]	2.5	2.5	3	3	3	5	5
d [mm]	131	131	225	225	225	310	310
d1 [mm]	225	225	131	141	150	186	186
d2 [mm]	95	95	95	95	138	138	138
e [mm]	80	80	80	100	100	120	120
e1 [mm]	57	57	57	77	77	97	97
f [mm]	229	229	229	229	229	314	314
h [mm]	123	123	123	123	123	165	165
h1 [mm]	237	237	237	237	237	322	322
k [mm]	500	500	500	750	750	750	1000
L [mm]	680	888	898	970	1150	1162	1508
m [mm]	92	300	310	112	292	284	380
n [mm]	40	40	40	40	40	40	40
n1 [mm]	44	44	44	44	44	44	44
o [mm]	69	277	287	89	269	261	357
w [mm]	554	554	554	804	804	804	1054
s [mm]	11	11	11	11	11	11	11
Cable length [m]	10.0	10.0	10.0	10.0	10.0	10.0	10.0
Material	Stainless steel V2A						
Weight [kg]	20.0	28.0	28.0	31.0	54.0	66.0	91.0
Order no.	53834	53835	53839	53845	53846	53852	53854

	SPA 162-1-13	SPA 162-13	SPA 162-2-23	SPA 280-1-13	SPA 280-13	SPA 280-2-23
Dimensions (LxWxH) [mm]	1165x310x314	1255x310x314	1441x310x314	1489x310x314	1544x310x314	1910x310x314
Voltage [V/Hz]	3x 400/50					
Power output [kW]	7.5	11	13	15	18.5	30
Current [A]	17.6	24.8	30	34	42	66.5
b [mm]	274	274	274	274	274	274
c [mm]	4	4	4	4	4	4
DD (Rp) [inch]	6	6	6	6	6	6
d [mm]	310	310	310	310	310	310
d1 [mm]	218	218	218	247	247	247
d2 [mm]	138	138	138	138	138	138
e [mm]	120	120	120	120	120	120
e1 [mm]	92	92	92	96	96	96
f [mm]	314	314	314	314	314	314
h [mm]	165	165	165	165	165	165
h1 [mm]	322	322	322	322	322	322
k [mm]	750	750	1000	1000	1250	1500
L [mm]	1165	1255	1441	1489	1544	1910
m [mm]	287	377	313	361	166	282
n [mm]	40	40	40	40	40	40
n1 [mm]	44	44	44	44	44	44
o [mm]	269	359	295	339	144	260
w [mm]	804	804	1054	1054	1304	1554
s [mm]	11	11	11	11	11	11
Cable length [m]	10.0	10.0	10.0	10.0	10.0	10.0
Material	Stainless steel V2A					
Weight [kg]	85.0	93.0	103.0	104.0	111.0	132.0
Order no.	53858	53859	53860	53864	53865	53866



	Fresh Water	Pool Water	Sea Water	220-240 V	400 V	110-120 V	50 Hz	60 Hz
AquaMax Gravity Eco								

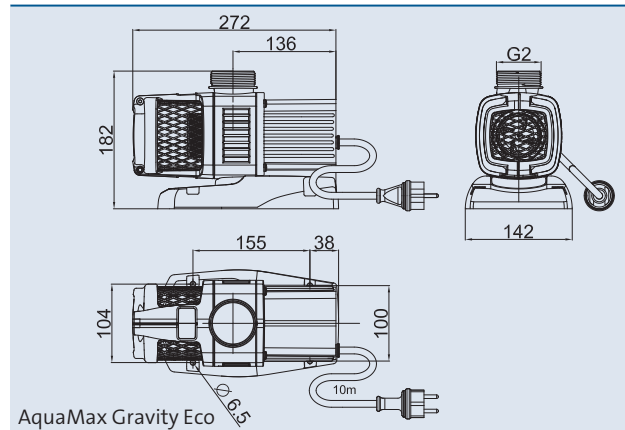
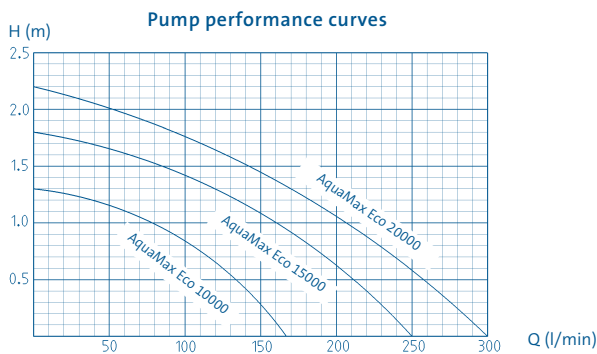
AQUAMAX GRAVITY Eco 10000/15000/20000

Product characteristics at a glance

- Coarse pollutant displacement of particles up to 6 mm in size
- Flow-optimised impellers ensure a high-level of energy efficiency
- Long service life
- Suitable for wet or dry-installed

- Suitable for use in swim ponds and bathing ponds
- Includes adaptor set
2"/DA 63 and DA 75/DA 100

Unique and highly economical filtration pumps: Especially developed to meet the requirements in gravity operated filter installations (gravitation principle).



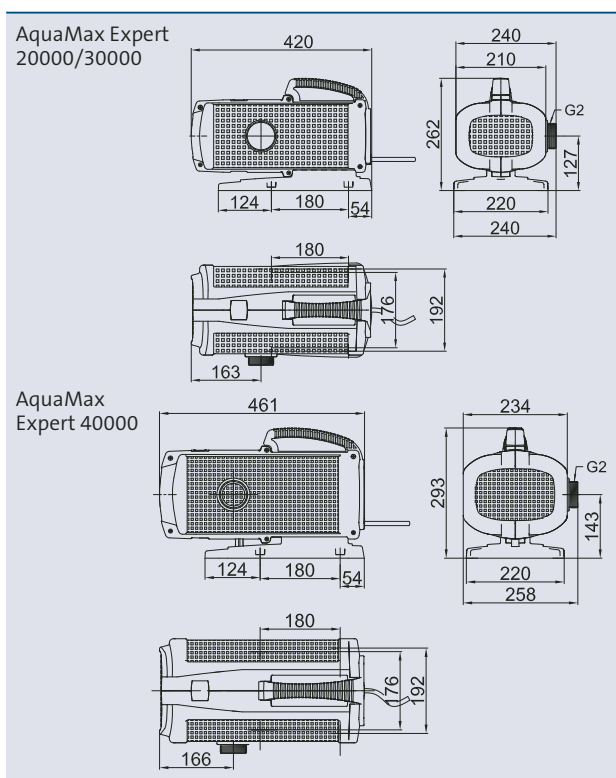
AquaMax Gravity Eco

AquaMax Gravity Eco		10000	15000	20000
Dimensions (L x W x H)	[mm]	272 x 142 x 182		
Rated voltage	[V/AC]	220 – 240 V / 50 Hz		
Power consumption	[W]	65	85	120
Nominal current	[A]	0.57	0.41	0.54
Litres per minute max.	[l/min]	167	250	300
Litres per hour max.	[l/h]	10000	15000	18000
Head height max.	[m]	1.3	1.8	2.2
Pressure-side connection		2"	2"	2"
Suction-side connection		2"	2"	2"
Hose connection		2"	2"	2"
Weight	[kg]	4.0	4.0	4.0
Cable length	[m]	10.0	10.0	10.0
Order no.		57091	57092	57093



	Fresh Water	Pool Water	Sea Water	220-240 V	400 V	110-120 V	50 Hz	60 Hz
AquaMax Expert								

AQUAMAX EXPERT 20000/30000/40000

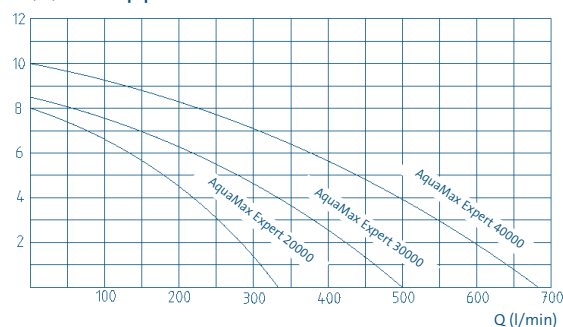


AquaMax Expert

Product characteristics at a glance

- Outstanding flow rate
- Displacement of coarse particles up to 8 mm
- Extremely stable
- Can remain in the pond during winter even if frozen in completely
- Suitable for wet and dry installation

H (m) Pump performance curves



AquaMax Expert		20000	30000	40000
Dimensions (L x W x H)	[mm]	420 x 240 x 262	420 x 240 x 262	461 x 258 x 293
Rated voltage	[V/Hz]	220 - 240 / 50	220 - 240 / 50	220 - 240 / 50
Power consumption	[Watt]	450	650	1100
Nominal current	[A]	2.04	2.84	4.57
Flow rate max.	[l/min]	333	500	683
Flow rate max.	[l/h]	20000	30000	41000
Head height max.	[m]	8.0	8.5	10.0
Hose connection	[inch]	1", 1 1/2", 2"	1", 1 1/2", 2"	1", 1 1/2", 2"
Pressure side connection	[inch]	2"	2"	2"
Suction side connection	[inch]	2"	2"	2 1/2"
Filter surface	[cm ²]	1320	1320	1620
Weight	[kg]	13.88	13.76	19.18
Cable length	[m]	10	10	10
Order no.		56873	56874	56875



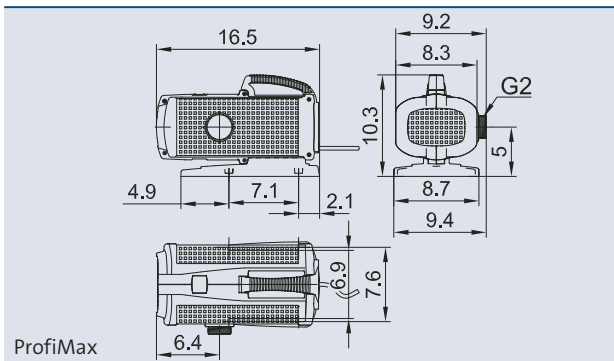
	Fresh Water	Pool Water	Sea Water	220-240 V	400 V	110-120 V	50 Hz	60 Hz
ProfiMax 7000								

PROFIMAX FILTER AND WATERCOURSE PUMP

ProfiMax is ideal for larger installations that demand higher flow rates or applications where the pump might be exposed to debris in the water. ProfiMax excels under these conditions. In addition, ProfiMax can be converted for use in in-line installations. As with all OASE pumps its feature is state-of-the-art motor technology with built-in overheating protection.

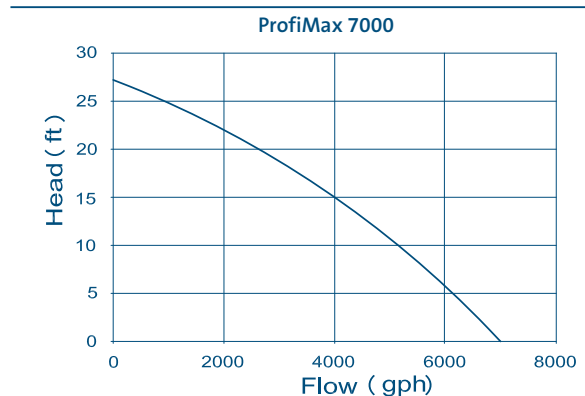
Product characteristics at a glance

- Easily handles coarse debris up to 3/8 in.
- Large strainer size reduces maintenance.
- Ideal for large-scale filtration and water courses
- Submersed or in-line operation
- Electronically adjustable



Flexible operation

Rugged design allows for operation in a high flow skimmer such BioSys Skimmer XL or directly in the pond.



ProfiMax		7000
Flow Rate	[gph max.]	7000
Flow Rate	[gpm max.]	117
Head	[ft. max.]	32
Intake Connection	[inch]	2
Outlet Connection	[inch]	2
Strainer Surface	[sq. in.]	251
Power Consumption	[W/A]	660 / 5.9
Operating Voltage	[V/Hz]	110-120 / 60
Connection Cable	[ft.]	20
Dimensions	[LxWxH in.]	16.5 x 9.4 x 10.5
Weight	[lbs.]	33
Order no.		50296



	Fresh Water	Pool Water	Sea Water	220-240 V	400 V	110-120 V	50 Hz	60 Hz
Profinaut 6000								

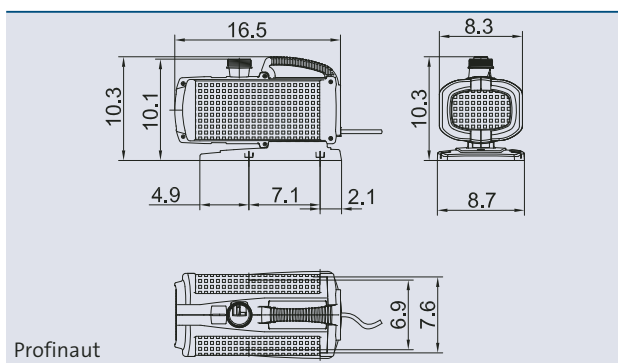
PROFINAUT FOUNTAIN AND WATER FEATURE PUMP

An excellent pump for producing impressive water displays in demanding applications. Head heights of up to 40 ft. make it a true powerhouse.

Product characteristics at a glance

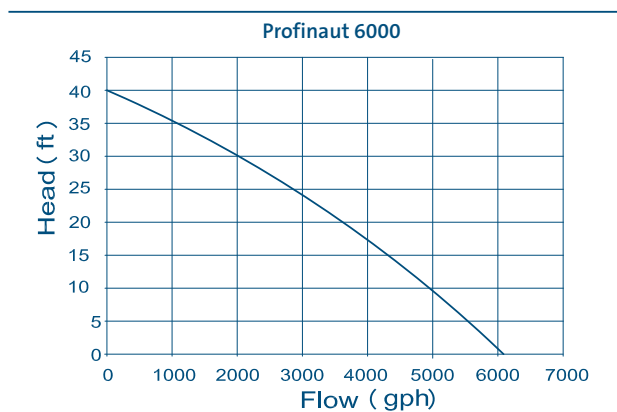
- Ergonomic handle, aligned with the pump's center of gravity, facilitates transport and installation.

- Compact, innovative stainless steel design.
- Fully capable of overwintering, even if the pump completely freezes (Frost-proof)
- Suitable for wet and dry installations
- Includes adapter set for connecting all 1 in. and 1 1/2 in. nozzles from the OASE range.
- Highly stable with excellent performance.



Versatile application

Up to three Profinaut pumps can be installed in a BioSys Skimmer XL for very high water circulation volume and skimming action.



Profinaut		6000
Flow Rate	[gph max.]	6100
Flow Rate	[gpm max.]	102
Head	[ft. max.]	40
Outlet Connection	[inch]	2
Strainer Surface	[sq. in.]	256
Power Consumption	[W/A]	720 / 6
Operating Voltage	[V/Hz]	110-120 / 60
Power Cable	[ft.]	20
Dimensions	[LxWxH in.]	17 x 10 x 11
Weight	[lbs.]	33
Order no.		57097

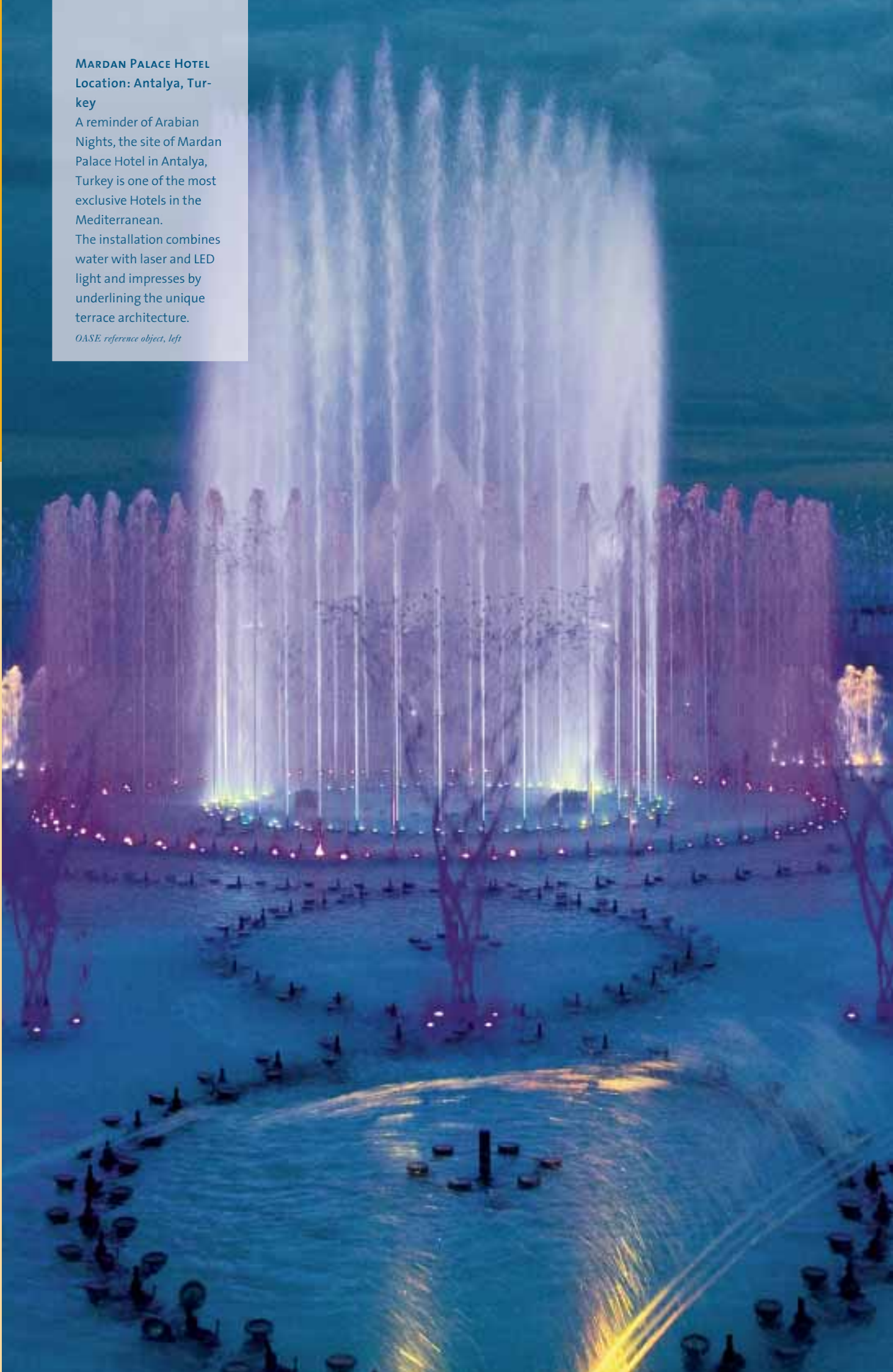
MARDAN PALACE HOTEL

Location: Antalya, Turkey

A reminder of Arabian Nights, the site of Mardan Palace Hotel in Antalya, Turkey is one of the most exclusive Hotels in the Mediterranean.

The installation combines water with laser and LED light and impresses by underlining the unique terrace architecture.

OASE, reference object, left



ILLUMINATION

LED-ILLUMINATION

HALOGEN-ILLUMINATION

Light and shadow have, for time immemorial, provided a special attraction. At night, when the surrounding environment becomes invisible, water installations can provide unrivalled beauty, and really stand out from their veiled surroundings.

Buildings appear aristocratically as soon as they are illuminated in the evening hours, trees and bushes become floodlit sculptures. Who ever controls the contact with light has the power to awaken emotions – equally, whether a festive mood or relaxing, romantic moments.

OASE offers the suitable lights for any requirement; the innovative controllable LED – Illumination and the classic Halogen Illumination. The new generation of LED-RGB lights are DMX/RDM controlled and can send information back to the control panel, e.g. running time and electronic temperature. These status requests allow for remote diagnosis and remote maintenance which are the service concept of the future.

With the illumination technology from OASE, you have the necessary tools for effective light installations in hand:



- Underwater spotlights for water installations, fountains and floating aggregates
- Innovative LED technology provides a high level of light incidence, whilst being highly energy-efficient
- For professional installation, transformers and cables are provided, along with the corresponding installation materials.

New in LED-Illumination assortment:

ProfiPlane LED 320/DMX/02

ProfiRing LED 320/DMX/02

ProfiLux LED 320/DMX/02

• LED Technology	page 94
RGB-LED light	
ProfiLux LED 320 /DMX/02	page 94
ProfiRing LED 320 /DMX/02	page 96
ProfiPlane LED 320 /DMX/02	page 98
Underwater LED Driver /DMX/02	page 100
Warm white light	
ProfiLux LED 370 12 V /01	page 102
ProfiLux LED 370 24 V /01	page 102
LunAqua 10 LED /01	page 102
• Halogen spotlights	page 104
ProfiLux 101 E	page 104
LunAqua 10	page 104
LunAqua 5.1	page 106
UWS TN 508	page 106
UWS T 111/TS 111	page 108
Lamp Holder	page 110
Freestand Light	page 110



	Fresh Water	Pool Water	Sea Water	220-240 V	400 V	110-120 V	50 Hz	60 Hz	12 V AC	24 V DC	DMX	DMX/RDM	Plug and Spray
ProfiLux LED	✓	✓	✓	✓	✓	✓	✓	✓	✓	✓	✓	✓	✓

PROFILUX LED 320/DMX/02

The ProfiLux RGB LED-light is the new innovative illumination technology from OASE; DMX/RDM cable for higher fountains.

The new generation of LED-RGB light comes with high-quality stainless steel housing for fresh-, pool- and saltwater (definition see on page 202). These LED-light have temperature regulation and overheating protection so that dry installation also possible. They have a lifetime up to 100.000h.*

INNOVATION – MADE BY OASE



NEW



ProfiLux LED

The basic colours of the LED-RGB-lights are each measured for their brightness. Our OASE LED-Driver (see page 100) ensures equal brightness for all lights in the system, thereby creating a homogeneous colour combination.

Product characteristics at a glance

- Energy efficient LED-RGB spotlight with holder
- Power consumption only 16 W
- Temperature controlled high class LED for an extra long life time up to 100.000 h *
- Illumination height up to approx. 7,5 m
- External electronic in a separate control/power box – easy pluggable connection
- Wet and dry installation - waterproof IP 68
- RDM-DMX capable with Underwater LED Driver
- For fresh-, pool- and saltwater
- Reverse polarity protection

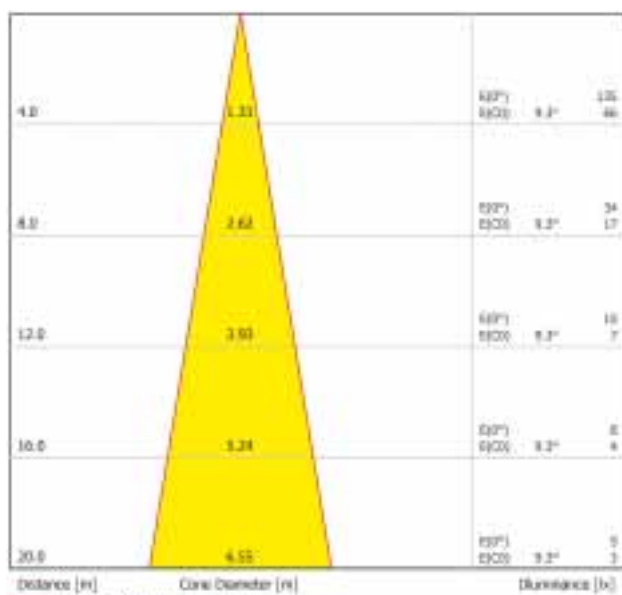
*In case of underwater application, an intelligent heat management and quality LED enables a lifetime of up to 100.000 hrs. This claim does not entitle to a guarantee.

The vibrant colour show their full wonders when combined with the Vario-Switch system or the Varionaut-pumps. In combination they pave the way for a completely new composition of open space and fountain installation.

The Underwater LED Driver (see on page 100) is required for the DMX/RDM capable use of the ProfiPlane LED. Also a RDM-capable controller like the WECS (WECS 1024 and WECS 2048 see on page 128) is necessary. Due to this capability they send information back to the control panel. The ProfiLux LED has one plug with one meter cable to connect with the Underwater LED-Driver. For larger

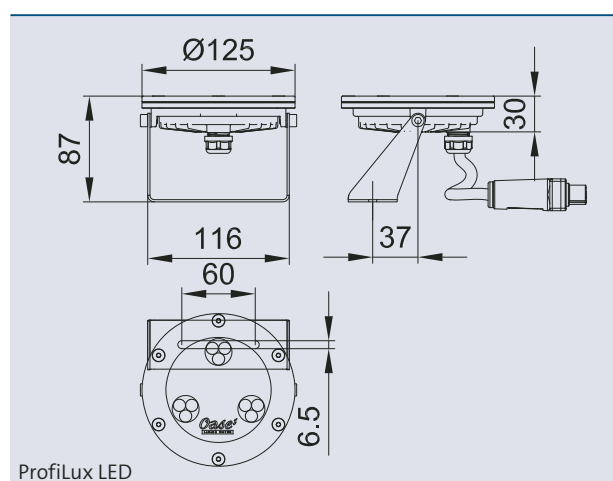
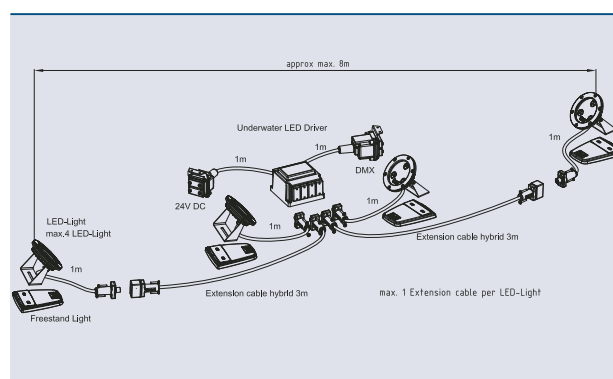
distances the Extension cable hybrid 3,0 m is used (see on page 120).

Up to 4 LEDs can be controlled individually with this external control. The Underwater LED Driver contains two connection boxes for the 24 Volt power supply and DMX/RDM data source. Through this special connection technology, wiring by hand is no longer necessary. Pumps and other consumer loads (e.g. Varionaut) can be connected easily to DMX/RDM of the light. The pluggable Underwater power supply 250 24 V /01 (see on page 122) is required for the plug and spray function on the 24 Volt power supply.



Accessories (must be ordered separately)

Extension cable hybrid / 3.0 m (see page 120)	50728
Underwater LED Driver (see page 100)	50720
Lamp Holder (see page 110)	50786
Freestand Light (see page 110)	50978
Connecting cable DMX/01 (see page 120)	Order no.
Connecting cable DMX/1.0 m/01	12368
Connecting cable DMX/3.0 m/01	12369
Connecting cable DMX/5.0 m/01	12371
Connecting cable DMX/10.0 m/01	12372
Connecting cable DMX/20.0 m/01	12373
End Resistant for Bus-System DMX/01	12007
Connecting cable 24V DC/01 (see page 118)	Order no.
Connecting cable 24V DC /1.0 m/01	12762
Connecting cable 24V DC /3.0 m/01	12552
Connecting cable 24V DC /7.5 m/01	12553
Connecting cable 24V DC /15.0 m/01	11720
PowerBox 24 V DC / 01 (see page 118)	50493
Underwater power supply 250 / 24 V / 01 (see page 122)	50733
Easy Control (see page 126)	50289
Easy Control (see page 126)	50175
WECS 1024 (see page 128)	50596
WECS 2048 (see page 128)	50597



DMX-Channel	Function
Channel 1	red
Channel 2	green
Channel 3	blue

ProfiLux LED 320/DMX/02		
Dimensions (Ø x h)	[mm]	125 x 87
Consumption current	[A]	0.7
Nominal voltage	[V/DC]	24
Luminous flux	[lm]	320
Power consumption	[W]	16
Beam angle	[°]	18
Protection class		IP 68
Power / Data connection	[m]	Hybrid cable 1
Illumination range	[m]	approx. 7.5
Material		stainless steel
Weight	[kg]	1.2
Order no.		50717



	Fresh Water	Pool Water	Sea Water	220-240 V	400 V	110-120 V	50 Hz	60 Hz	12 V AC	24 V DC	DMX	DMX/RDM	Plug and Spray
ProfiRing LED	✓	✓	✓	✓	✓	✓	✓	✓	✓	✓	✓	✓	✓

PROFIRING LED 320/DMX/02

The ProfiRing is developed specifically to illuminate fountains. Nozzles can be integrated in the middle of the LED light. Thus attractive symmetric illumination with continuously changing colour nuances is produced.

The ProfiRing LED is mainly used in the pool directly under the water surface. These LED-lights have temperature regulation and overheating protection so that dry installation is also possible. However these vibrant colour wonders show their full potential when combined with the Varionaut-pumps or the Vario-Switch system. In combination they pave the way for a completely new composition of open space and fountain installation.

The new generation of LED-RGB light comes with high-quality stainless steel housing for fresh-, pool- and salt-water (definition see on page 202). They have a lifetime up to 100.000h.*

The basic colours of the LED-RGB-lights are each measured for their brightness. Our OASE LED-Driver (see page 100) ensures equal brightness for all lights in the system, thereby creating a homogeneous colour combination.

Product characteristics at a glance

- Energy efficient LED-RGB spotlight with a center hole D=22mm
- Power consumption only 16 W
- Temperature controlled high class LED for an extra long life time up to 100.000 h*
- Illumination height up to approx. 7,5 m
- External electronic in a separate control/power box – easy plugable connection
- Wet and dry installation - waterproof IP 68
- RDM-DMX capable with Underwater LED Driver
- For fresh-, pool- and saltwater
- Nozzle lamp locking
- Reverse polarity protection

*In case of underwater application, an intelligent heat management and quality LED enables a lifetime of up to 100.000 hrs. This claim does not entitle to a guarantee.

INNOVATION – MADE BY OASE

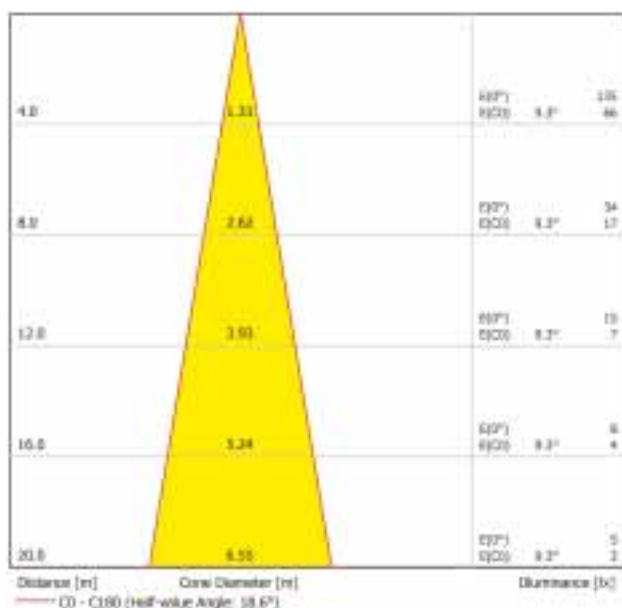


ProfiRing LED

The Underwater LED Driver (see on page 100) is required for the DMX/RDM capable use of the ProfiRing LED. Also a RDM-capable controller like the WECS (WECS 1024 and WECS 2048 see on page 128) is necessary. Due to this fact they send information back to the control panel.

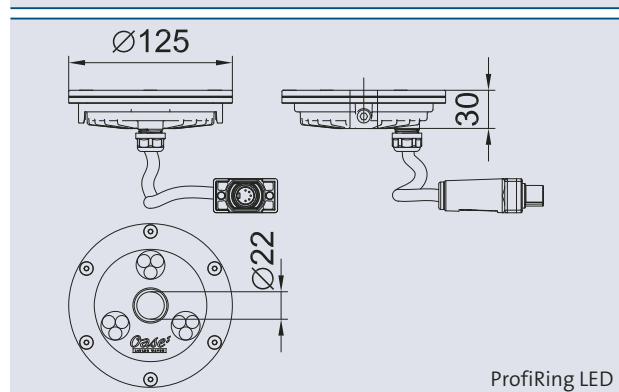
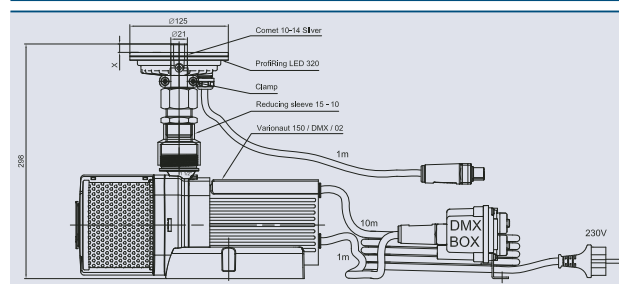
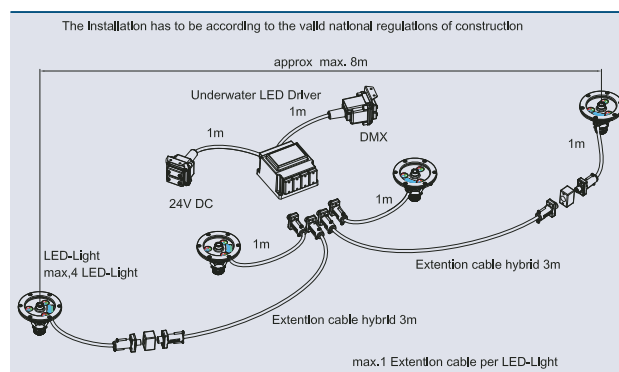
The ProfiRing LED has one plug with one meter cable to connect with the Underwater LED-Driver. For larger distances is designed the Extension cable hybrid 3,0 m is used (see on page 120). The Underwater LED Driver contains two con-

nection boxes for the 24 Volt power supply and DMX/RDM data source. Through this special connection technology, wiring by hand is no longer necessary. Pumps and other consumer loads (e.g. Varionaut) can be connected easily to DMX/RDM of the light. The pluggable Underwater power supply 250 24 V /01 (see on page 122) is required for the plug and spray function on the 24 Volt power supply.



Accessories (must be ordered separately)

Recommended Nozzles	Order no.
Comet 10-14 silver (see page 26)	50723
Comet 10-12 T (see page 28)	50968
Comet 10-14 T (see page 28)	50969
Extension cable hybrid / 3.0 m (see page 120)	50728
Underwater LED Driver (see page 100)	50720
Connecting cable DMX/01	Order no.
Connecting cable DMX/1.0 m/01	12368
Connecting cable DMX/3.0 m/01	12369
Connecting cable DMX/5.0 m/01	12371
Connecting cable DMX/10.0 m/01	12372
Connecting cable DMX/20.0 m/01	12373
End Resistant for Bus-System DMX/01	12007
Connecting cable 24V DC/01	Order no.
Connecting cable 24V DC /1.0 m/01	12762
Connecting cable 24V DC /3.0 m/01	12552
Connecting cable 24V DC /7.5 m/01	12553
Connecting cable 24V DC /15.0 m/01	11720
PowerBox 24 V DC / 01 (see page 118)	50493
Underwater power supply 250 / 24 V / 01 (see page 122)	50733
Easy Control (see page 126)	50289
Easy Control (see page 126)	50175
WECS 1024 (see page 128)	50596
WECS 2048 (see page 128)	50597



DMX-Channel	Function
Channel 1	red
Channel 2	green
Channel 3	blue

ProfiRing LED 320/DMX/02		
Dimensions (Ø x h)	[mm]	125 x 47
Consumption current	[A]	0.7
Nominal voltage	[V/DC]	24
Luminous flux	[lm]	320
Power consumption	[W]	16
Beam angle	[°]	18
Protection class		IP 68
Power / Data connection	[m]	Hybrid cable 1
Illumination range	[m]	approx. 7.5
Material		stainless steel
Weight	[kg]	1.0
Order no.		50718



	Fresh Water	Pool Water	Sea Water	220-240 V	400 V	110-120 V	50 Hz	60 Hz	12 V AC	24 V DC	DMX	DMX/RDM	Plug and Spray
ProfiPlane LED	✓	✓	✓	✓	✓	✓	✓	✓	✓	✓	✓	✓	✓

PROFIPLANE LED 320/DMX/02

The ProfiPlane is developed for in-ground installation. These LED-lights can be built into practically any natural stone or paving. This makes them ideal for use in wet or dry fountain installations.

Nozzles can be integrated in the middle of the LED spotlights to illuminate the fountains. Thus attractive symmetric illumination with continuously changing colour nuances is produced.

However these vibrant colour wonders show their full potential when combined with the Vario-Switch system or the Varionaut-pumps. In combination they pave the way for a completely new composition of open space and fountain installation.

The new generation of LED-RGB light comes with high-quality stainless steel housing for fresh-, pool- and saltwater (definition see on page 202). These LED-light have temperature regulation and overheating protection so that dry installation is also possible. They have a lifetime up to 100.000h.*

The basic colours of the LED-RGB-lights are each measured for their brightness. Our OASE LED-Driver (see page 100) ensures equal brightness for all lights in the system, thereby creating a homogeneous colour combination.

Product characteristics at a glance

- Energy efficient LED-RGB spotlight with flange and hole D=22mm
- Power consumption only 16 W
- Temperature controlled high class LED for an extra-long life time up to 100.000h*
- Illumination height up to approx. 7,5 m
- External electronic in a separate control/power box – easy plugable connection
- Wet and dry installation - waterproof IP 68
- RDM-DMX capable with Underwater LED Driver
- Reverse polarity protection
- walk-on-able

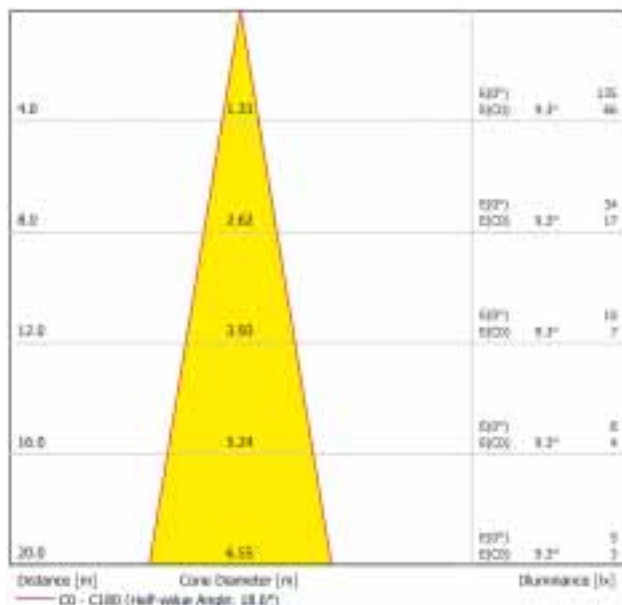
*In case of underwater application, an intelligent heat management and quality LED enables a lifetime of up to 100.000 hrs. This claim does not entitle to a guarantee.

INNOVATION – MADE BY OASE



ProfiPlane LED

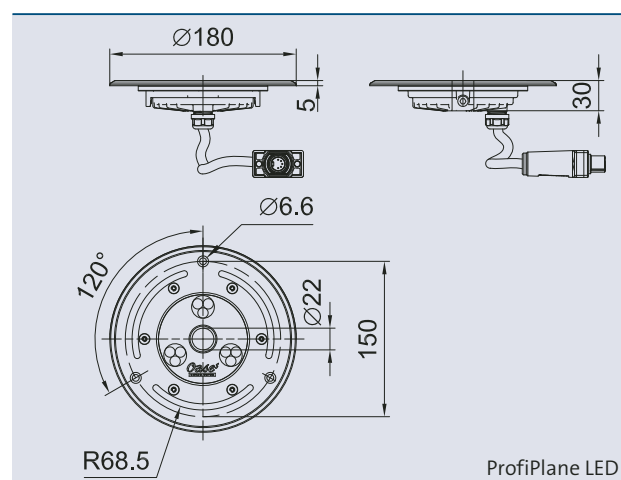
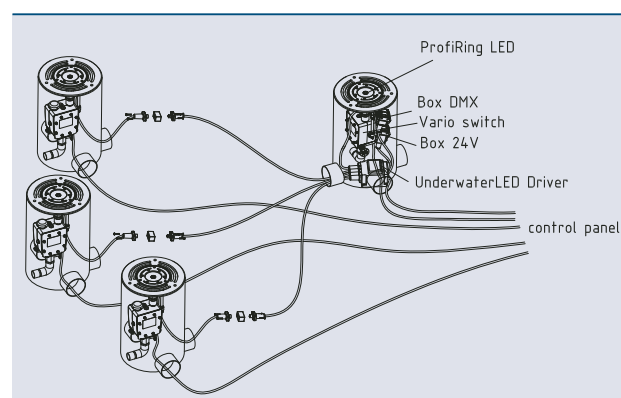
The Underwater LED Driver (see on page 100) is required for the DMX/RDM capable use of the ProfiPlane LED. Also a RDM-capable controller like the WECS (WECS 1024 and WECS 2048 see on page 128) is necessary. Due to this capability they send information back to the control panel.



Accessories (must be ordered separately)

Recommended Nozzles	Order no.
Comet 10-14 silver (see page 26)	50723
Comet 10-12 T (see page 28)	50968
Comet 10-14 T (see page 28)	50969
Nozzle-Chamber (see page 182)	Order no.
Nozzle-Chamber Single	50477
Nozzle-Chamber Vario	50478
Exention cable hybrid / 3.0 m (see page 120)	50728
Underwater LED Driver (see page 100)	50720
Connecting cable DMX/01 (see page 120)	Order no.
Connecting cable DMX/1.0 m/01	12368
Connecting cable DMX/3.0 m/01	12369
Connecting cable DMX/5.0 m/01	12371
Connecting cable DMX/10.0 m/01	12372
Connecting cable DMX/20.0 m/01	12373
End Resistant for Bus-System DMX/01	12007
Connecting cable 24V DC/01 (see page 118)	Order no.
Connecting cable 24V DC /1.0 m/01	12762
Connecting cable 24V DC /3.0 m/01	12552
Connecting cable 24V DC /7.5 m/01	12553
Connecting cable 24V DC /15.0 m/01	11720
PowerBox 24 V DC / 01 (see page 118)	50493
Underwater power supply 250 / 24 V / 01 (see page 122)	50733
Easy Control (see page 126)	50289
Easy Control (see page 126)	50175
WECS 1024 (see page 128)	50596
WECS 2048 (see page 128)	50597

The ProfiPlane LED has one plug with one meter cable to connect with the Underwater LED-Driver. For larger distances the Extension cable hybrid 3,0 m is used (see on page 120). Up to 4 LEDs can be controlled individually with this external control. The Underwater LED Driver contains two connection boxes for the 24 Volt power supply and DMX/RDM data source. Through this special connection technology, wiring by hand is no longer necessary. Pumps and other consumer loads (e.g. Varionaut) can be connected easily to DMX/RDM of the light. The pluggable Underwater power supply 250 24 V /01 (see on page 122) is required for the plug and spray function on the 24 Volt power supply.



DMX-Channel	Function
Channel 1	red
Channel 2	green
Channel 3	blue

ProfiPlane LED 320/DMX/02		
Dimensions (Ø x h)	[mm]	180 x 47
Consumption current	[A]	0.7
Nominal voltage	[V/DC]	24
Luminous flux	[lm]	320
Power consumption	[W]	16
Beam angle	[°]	18
Protection class		IP 68
Power / Data connection	[m]	Hybrid cable 1
Illumination range	[m]	approx. 7.5
Material		stainless steel
Weight	[kg]	1.5
Order no.		50719



	Fresh Water	Pool Water	Sea Water	24 V DC	DMX	DMX/RDM	Plug and Spray
Underwater LED Driver							

UNDERWATER LED DRIVER

The Underwater LED Control /DMX/02 is the driver for the new generation of LED-RGB light; ProfiPlane LED 320/DMX/02, ProfiRing LED 320/DMX/02 and ProfiLux LED 320/DMX/02. Up to 4 lights can be controlled individually.

These new LED-RGB lights in combination with the Underwater LED control are DMX/RDM controlled and can send information back to the control panel, e.g. running time. These status requests allow for remote diagnosis and remote maintenance which are the service concept of the future.

The robust structure supports the whole system for use for fresh-, pool- and saltwater conditions (definition see on page 202).

The Underwater LED Control is equipped with one DMX-box with one meter cable and one power-box with one meter cable. Through this special connection technology, wiring by hand is no longer necessary.

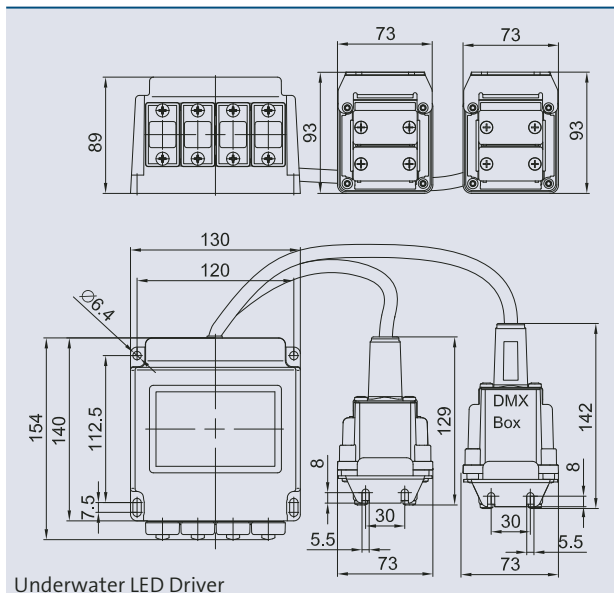
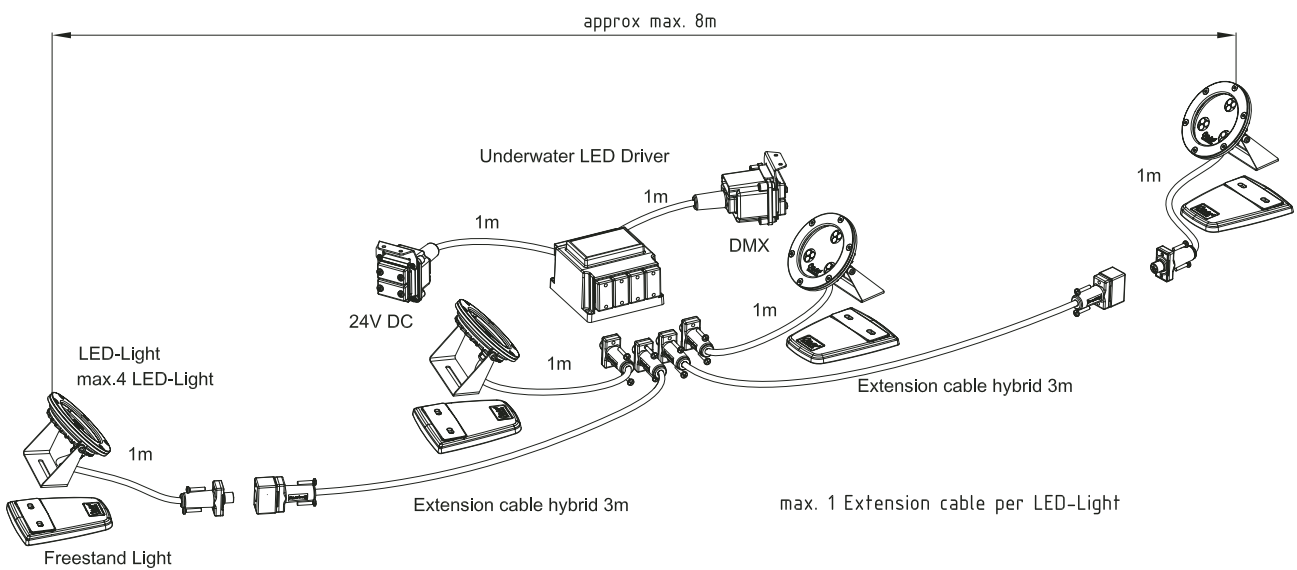
Product characteristics at a glance

- Controller for LED-light
- Underwater LED control for:
 - ProfiLux LED 320/DMX/02 (50717)
 - ProfiRing LED 320/DMX/02 (50718)
 - ProfiPlane LED 320/DMX/02 (50719)
- Input: 1 x 24 V/DC ;1 x DMX-RDM
- up to 4 LED Spots
- individual controllable by DMX/RDM
- IP 68 rated

INNOVATION – MADE BY OASE



Underwater LED Driver



Accessories (must be ordered separately)

ProfiLux LED 320/DMX/02 (see page 94)	50717
ProfiRing LED 320/DMX/02 (see page 96)	50718
ProfiPlane LED 320/DMX/02 (see page 98)	50719
Extension cable hybrid (see page 120)	50728

Underwater LED Driver / DMX / 02		
Dimensions (L x W x H)	[mm]	154 x 130 x 89
Slot		4 x Hybrid (Data + Power)
Protection class		IP 68
DMX Connection		1.0 m with Box
Power Connection		1.0 m with Box
Weight	[kg]	2.9
Order no.		50720



	Fresh Water	Pool Water	Sea Water	220-240 V	400 V	110-120 V	50 Hz	60 Hz	12 V AC	24 V DC	DMX	DMX/RDM	Plug and Spray
Profilux 370 LED 12 V/01	✓	✓	✓	✓	✓	✓	✓	✓	✓	✓	✓	✓	✓
Profilux 370 LED 24 V/01	✓	✓	✓	✓	✓	✓	✓	✓	✓	✓	✓	✓	✓
LunAqua 10 LED /01	✓	✓	✓	✓	✓	✓	✓	✓	✓	✓	✓	✓	✓

PROFILUX 370 LED / LUNAQUA 10 LED

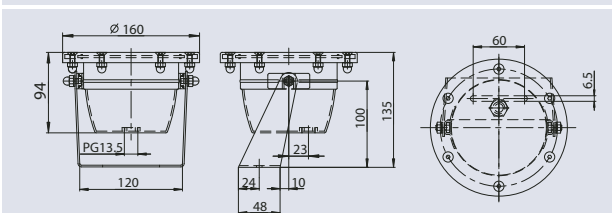
Our well-proven spotlights are now equipped with a warm-white, energy efficient LED platine generating an impressive illumination. Both are equipped with performance-adjustment capability should the surrounding temperature increase to avoid damaging. Applicable at voltages are 12 V and also 24 V.

Product characteristics Profilux 370 LED

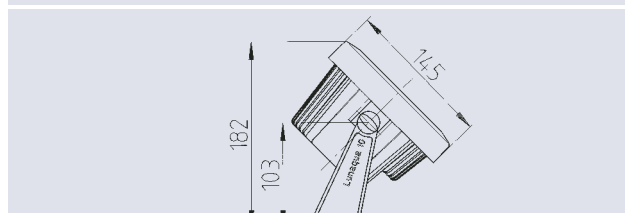
- 12 V AC/24 V DC compatible
- Stainless steel housing, warmwhite and circular LED platine
- Up to 8 spotlights of the 12V version can be connected to transformer UST 150 by using the power boxes
- Temperature protection
- Reverse polarity protection
- Incl. illuminant (not dimmable)

Product characteristics LunAqua 10 LED

- LED Spotlight warmwhite
- Compatible with connection cable and transformer of the LunAqua 10 Halogen system
- 12 V AC/24 V DC compatible
- Up to 8 spotlights of the 12V version can be connected to transformer UST 150 by using the power boxes
- Temperature protection
- Reverse polarity protection
- Incl. illuminant (not dimmable)



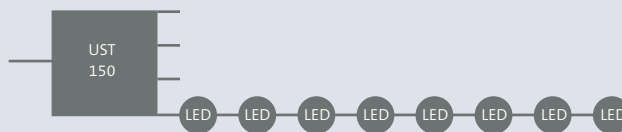
Profilux 370 LED 12V/01 and Profilux 370 LED 24V/01



LunAqua 10 LED/01

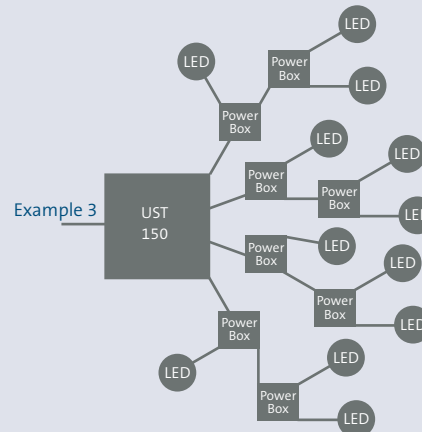
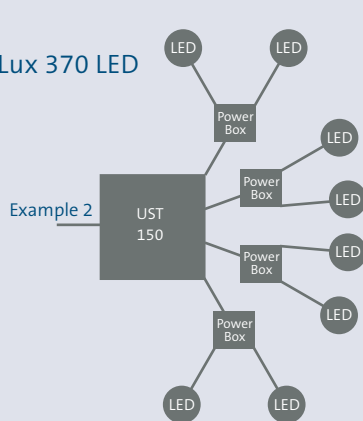
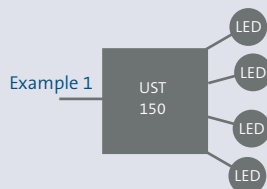
Series circuit:

- max. 8 x ProfiLux 370 LED in series
- for a series circuit the PowerBox plus cable is additionally required per spotlight!



Star circuit::

- max. 12 x LunAqua 10 LED / ProfiLux 370 LED



Accessories (must be ordered separately)

Connecting cable 24V DC/01 (see page 118)	Order no.
Cable 24V DC /1.0 m/01	12762
Cable 24V DC /3.0 m/01	12552
Cable 24V DC /7.5 m/01	12553
Cable 24V DC /15.0 m/01	11720

Power Box 24V DC/01 (see page 118)	Order no.
Power Box 24V DC/01	50493

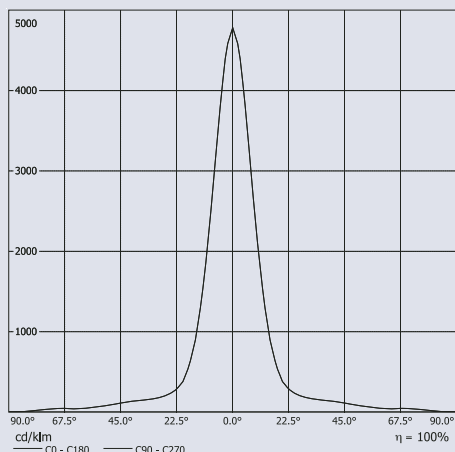
Underwater power supply 250 / 24 V / 01 (see page 122)	Order no.
Underwater power supply 250 / 24 V / 01	50733

Connecting cable 12V AC/01 (see page 118)	Order no.
Cable 12V AC /1.0 m/01	12768
Cable 12V AC /3.0 m/01	12374
Cable 12V AC /7.5 m/01	12375
Cable 12V AC /15.0 m/01	11740

Power Box 12V AC/01 (see page 118)	Order no.
Power Box 12V AC/01	50492

Underwater transformer UST 150/01 (see page 122)	Order no.
Underwater transformer UST 150/01	50401

Underwater transformer UST 150/A/01 (see page 122)	Order no.
Underwater transformer UST 150/A/01	50517



Abstand [m]	Kegeldurchmesser [m]	E(0°) E(C0)	9.1°	lx
0.5	0.16	E(0°) E(C0)	9.1°	6981 3372
1.0	0.32	E(0°) E(C0)	9.1°	1745 843
1.5	0.48	E(0°) E(C0)	9.1°	776 375
2.0	0.64	E(0°) E(C0)	9.1°	436 211
2.5	0.80	E(0°) E(C0)	9.1°	279 135
3.0	0.96	E(0°) E(C0)	9.1°	194 94

Abstand [m] Kegeldurchmesser [m] Beleuchtungsstärke [lx]
 — C0 - C180 (Halbstrahlwinkel: 18.2°)

	ProfiLux 370 LED 12V/01	ProfiLux 370 LED 24V/01	LunAqua 10 LED/01
Dimensions (Ø x H)	[mm] 160 x 135	160 x 135	145 x 100
Voltage	[V/Hz] 12 AC / 50-60	24 DC	12 AC / 24 DC / 50
Power consumption max.	[W] 10	10	10
Light intensity; Luminous flux	[cd/lm] 1800/370	1800/370	1800/370
Beam angle	[°] 20	20	20
IP 68	IP 68	IP 68	IP 68
Dimmable	no	no	no
Cable length	[m] 1.0 (with box)	1.0 (with box)	—
Material	Stainless Steel	Stainless Steel	Plastic
Weight	[kg] 2.5	2.5	1.6
Order no.	50367	50474	50366

* bulbs excluded from the guarantee

Please consider the informations given in the manual if you wish to connect existing and new products!



	Fresh Water	Pool Water	Sea Water	50 Hz	60 Hz	12 V AC	24 V DC
Profilux E 101 Halogen							
LunAqua 10 Halogen							

PROFILUX E 101 AND LUNAQUA 10 HALOGEN

Thanks to the compact design the Profilux E 101 to accentuate public areas with focused light effects and allow sculptures, water features, individual fountains, or plants, to radiate in light.

The housing of the halogen spotlight is made of robust stainless steel and is fitted with a PG 13.5 cable gland, as well as with a pivoting spotlight holder – also made of stainless steel.

Product characteristics at a glance

- High-quality stainless steel spotlights
- Stainless steel bracket for simple and safe installation
- Halogen bulbs: 50 W, 75 W and 100 W
- With PG 13.5 cable entry

The spotlight, made of impact-resistant plastic, is connected to the 12-Volt safety transformer via special connections that can also be used underwater. This means that even greater distances to the 230 Volt outlet can be bridged with conventional cable. The transformer is equipped with 4 couplings to connect either 4 x 35 W, 3 x 50 W or 2 x 75 W, 12 V. The special structured glass cover, in conjunction with the aluminium reflector, creates optimal light efficiency. The mounting bracket enables a pivot range of approximately 180°.

Product characteristics at a glance

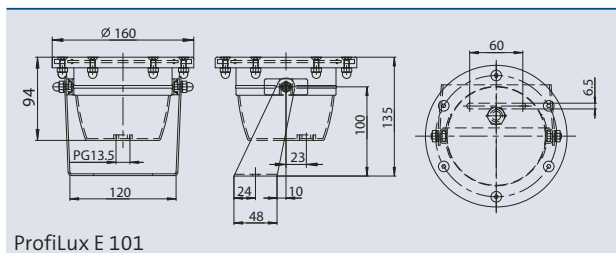
- Accentuates with rich light effects
- Can be implemented underwater and above the water surface (excl. 75 W lamp)
- Housing made of impact-resistant plastic
- Structured special glass cover for optimal light efficiency
- Mounting bracket with 180° pivot range



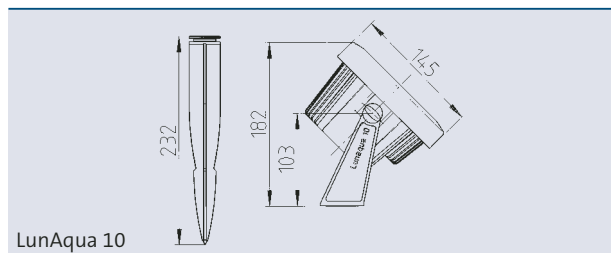
Profilux E 101



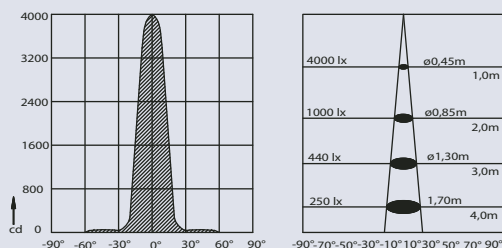
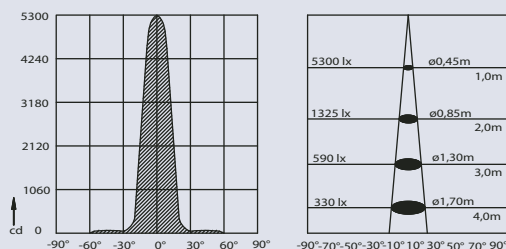
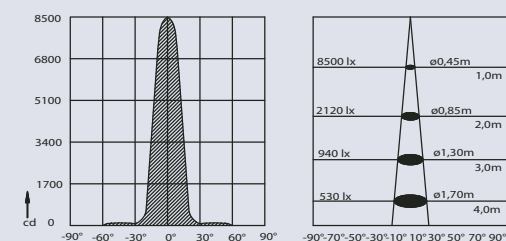
LunAqua 10



ProfiLux E 101



LunAqua 10

Halogen 50W 24°

Halogen 75W 24°

Halogen 100W 24°

Accessories for ProfiLux E 101 (must be ordered separately)

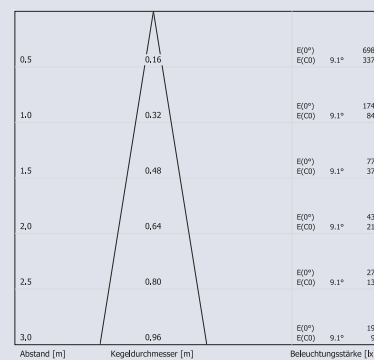
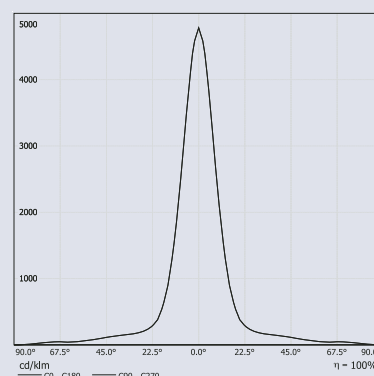
Halogen reflector bulb			
Voltage [V/Hz]	12/50-60	12/50-60	12/50-60
Power output [W]	50	75	100
Beam angle	24°	24°	24°
Order no.	52939	52941	52943

ProfiLux E 101 Delivered without bulb, transformer and cable

Dimensions (∅ x H)	[mm]	160 x 135
Beam angle	[°]	24
Light intensity	[cd]	4000-5000
Bulb	[V/Hz]	12/50-60
Power consumption max.[W halogen]		50, 75 W halogen
Protection class		IP 68
Cable entries		1x PG 13.5
Material		Stainless steel
Weight	[kg]	1.5
Order no.		56133

*bulbs excluded from the guarantee

Please consider the informations given in the manual if you wish to connect existing and new LunAqua 10 products!


Accessories for LunAqua 10 (must be ordered separately)

Bulbs halogen bulb			
Colour	white	white	white
Voltage [V/Hz]	12/50-60	12/50-60	12/50-60
Power output [W]	35	50	75
Order no.	54035	54036	54037

Accessories (must be ordered separately)

Underwater transformer UST 150/01 (see page 122)	50401
Underwater transformer UST 150/A/01 (see page 122)	50517
Connecting cable 12V AC/01 (see page 118)	Order no.
Cable 12V AC /3.0 m/01	12374
Cable 12V AC /7.5 m/01	12375
Cable 12V AC /15.0 m/01	11740
Power Box / Underwater power supply	Order no.
Power Box 12V AC/01 (see page 118)	50492

Spotlight LunAqua 10 halogen Delivered without bulb, transformer and cable

Dimensions in mm (∅ x H)	[mm]	145 x 100
Nominal voltage	[V/Hz]	12/50-60
Bulb max.	[W halogen]	35 – 75 W halogen
Beam angle	[°]	24
Protection class		IP 68
Weight	[kg]	1.1
Order no.		54034



	Fresh Water	Pool Water	Sea Water	220-240 V	400 V	110-120 V	50 Hz	60 Hz	12 V AC	24 V DC	DMX	DMX/RDM	Plug and Spray
LunAqua 5.1	✓	✓	✓	✓	✓	✓	✓	✓	✓	✓	✓	✓	✓
UWS TN 508	✓	✓	✓	✓	✓	✓	✓	✓	✓	✓	✓	✓	✓

LUNAQUA 5.1 / UWS TN 508

The LunAqua 5.1 creates dazzling beauty, particularly underwater. This powerful spotlight brings even more light into the darkness and can also be installed in larger fountain systems.

LunAqua 5.1 has been especially designed for underwater operation and can be operated with PAR 38 100 W reflector bulbs in 12 Volts. This powerhouse convinces by a perfect price/ performance ratio, easy and safe installation, and versatile implementation as a single spotlight or in parallel group cabling. Input and output are fitted with high-quality PG cable glands for H05 or H07 cable.

Product characteristics at a glance

- Maximum power above the water surface or underwater
- Housing made of impact-resistant plastic
- Extremely corrosion resistant
- PAR 38 reflector bulbs with 100 W
- Including stainless steel mounting bracket



LunAqua 5.1

Individual fountains, water effects, or plants are easily illuminated with the small but robust UWS TN 508 spotlights.

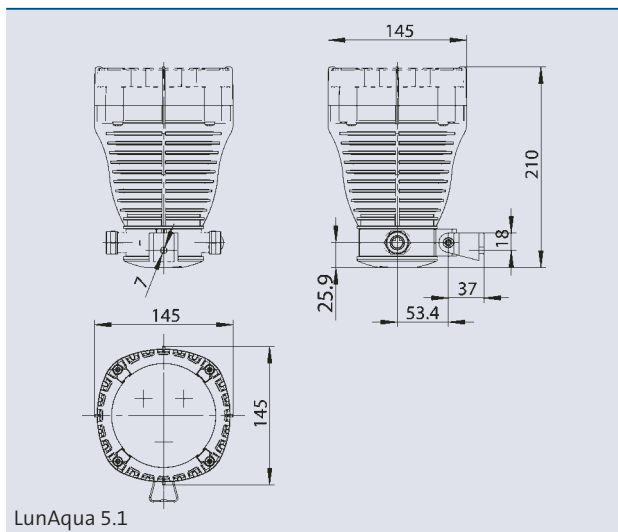
The compact design with a robust and corrosion-resistant Tombac construction: The UWS TN 508 spotlight is ideal for use in public displays. And the PG 11 cable glands enable individual spotlights to be connected in a chain.

Product characteristics at a glance

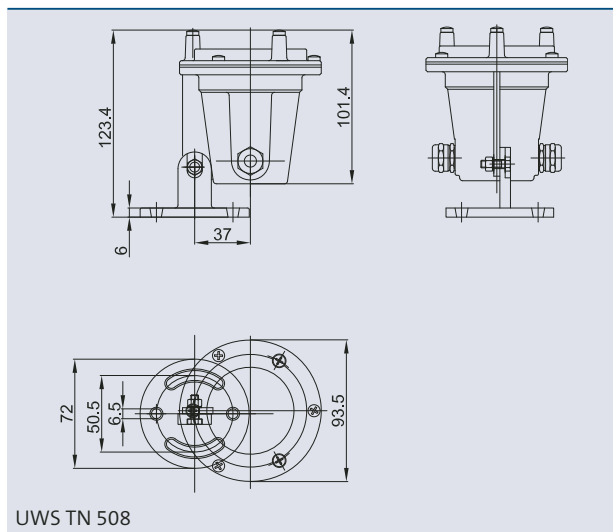
- Accentuates with rich light effects
- Can be implemented underwater and above the water surface
- Power consumption: 50 Watts
- Can be switched in series for a lighting chain



UWS TN 508



LunAqua 5.1



UWS TN 508

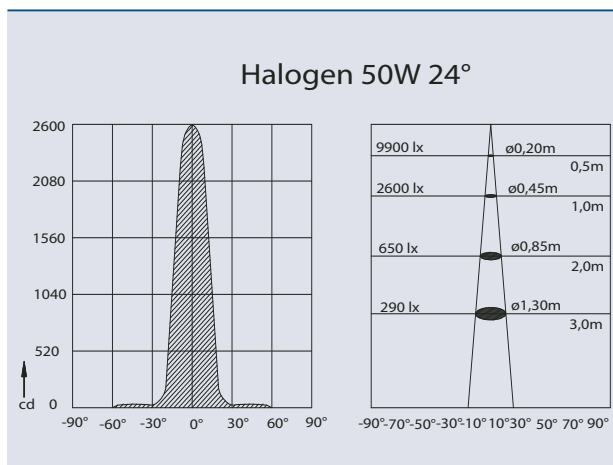
Accessories for LunAqua 5.1 (must be ordered separately)

Reflector bulb PAR 38	
Voltage [V/Hz]	12/50-60
Power output [W]	100
Beam angle	30°
Weight [kg]	0.4
Order no.	56812

Connection cable 12V AC/01 (see page 118)		Order no.
Cable 12V AC /3.0 m/01		12374
Cable 12V AC /7.5 m/01		12375
Cable 12V AC /15.0 m/01		11740
Power Box / Underwater power supply		Order no.
Power Box 12V AC/01 (see page 118)		50492

Underwater transformer UST 150/01 (see page 122)	50401
Underwater transformer UST 150/A/01 (see page 122)	50517

LunAqua 5.1 Delivered without bulb, transformer and cable		
Dimensions (ø x H)	[mm]	145 x 210
Cable inlets		2x PG 16
Cable diameter		H05 and H07
Power consumption	[W]	max. 100
Nominal voltage	[V/Hz]	12/50-60
Protection class		IP 68
Mounting		E 27
Cable length		–
Weight	[kg]	1.2
Order no.		57427


Accessories for TN 508 (must be ordered separately)

Replacement Halogen reflector bulb		
Power consumption	[W]	50 W
Beam angle		24°
Order no.		51394

UWS TN 508 Delivered without transformer and cable, with bulb		
Dimensions (ø x H)	[mm]	94 x 125
Nominal voltage	[V]	12
Power consumption	[W]	50
Light intensity	[cd]	2600
Beam angle		24°
Protection class		IP 68
Cable inlets		2x PG 11
Material		tombac
Weight	[kg]	1.10
Order no.		51446



	Fresh Water	Pool Water	Sea Water	220-240 V	400 V	110-120 V	50 Hz	60 Hz	12 V AC	24 V DC	DMX	DMX/RDM	Plug and Spray
UWS T 111	✓	✓	✓	✓	✓	✓	✓	✓	✓	✓	✓	✓	✓
UWS TS 111	✓	✓	✓	✓	✓	✓	✓	✓	✓	✓	✓	✓	✓

UWS T 111 AND UWS TS 111

These underwater spotlights have been designed with extra strength for professional use in public installations. In underwater operation they effectively set the stage for fountains and water features, out of the water they illuminate sculptures, buildings, or trees.

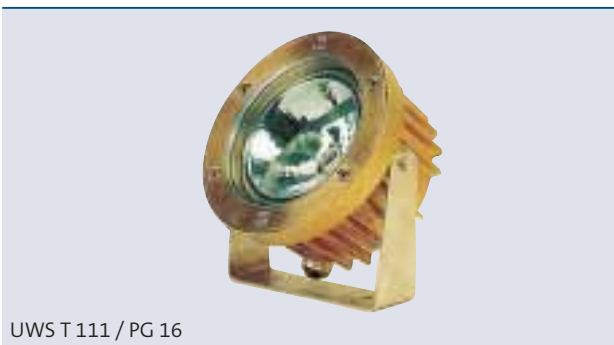
They have been designed with appropriate stability and strength for their area of implementation. The spotlight housing is made of cast tombac and has a PG 16 cable gland for UWS T 111 and UWS TS 111.

Halogen reflector bulbs are protected by a 15 mm thick, shatterproof safety glass lens, which is screw-fastened to the housing. The smooth surface ensures long cleaning intervals.

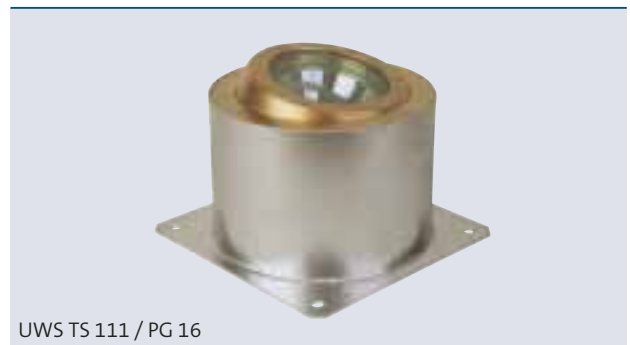
The UWS TS 111 spotlight can be turned in all directions by 12.5° in its stainless steel installation housing. Two clamp rings enable precise alignment on site.

Product characteristics at a glance

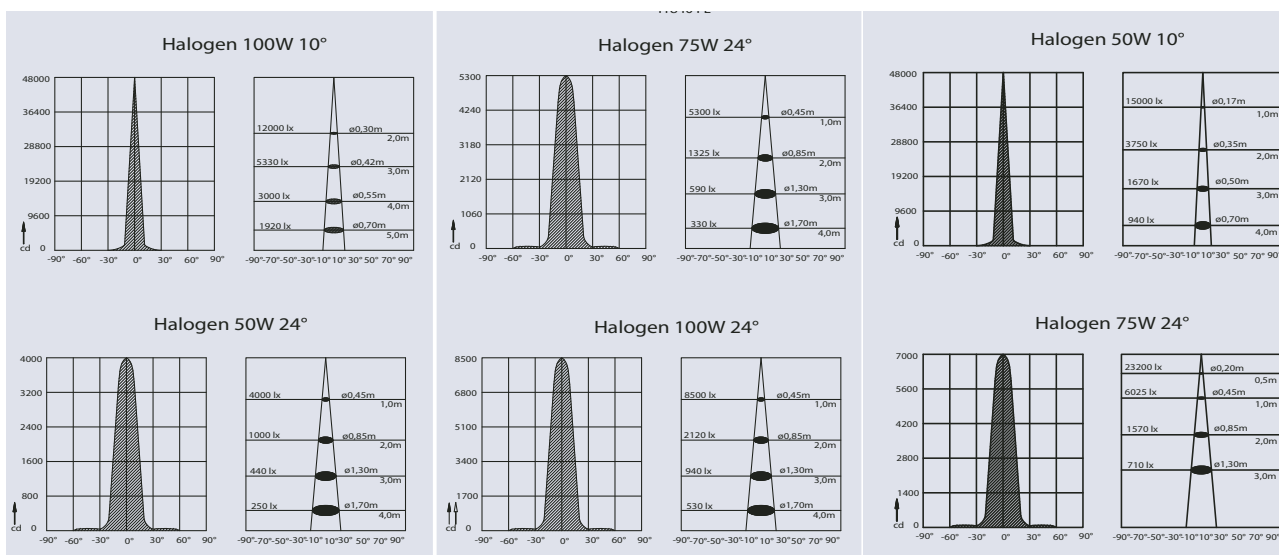
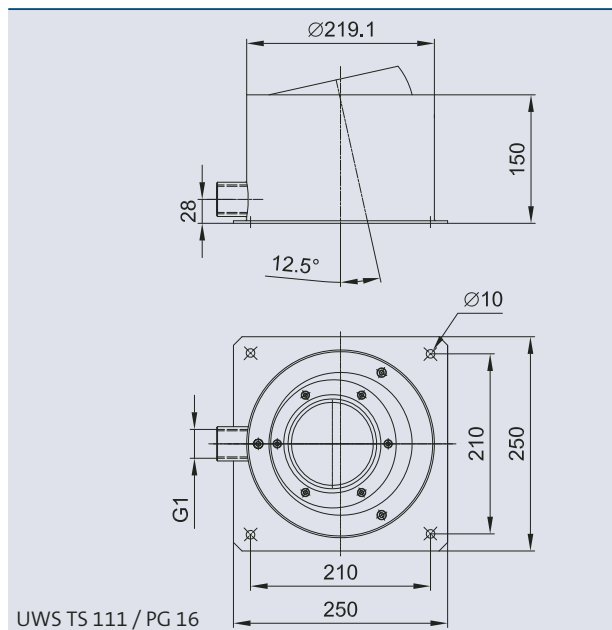
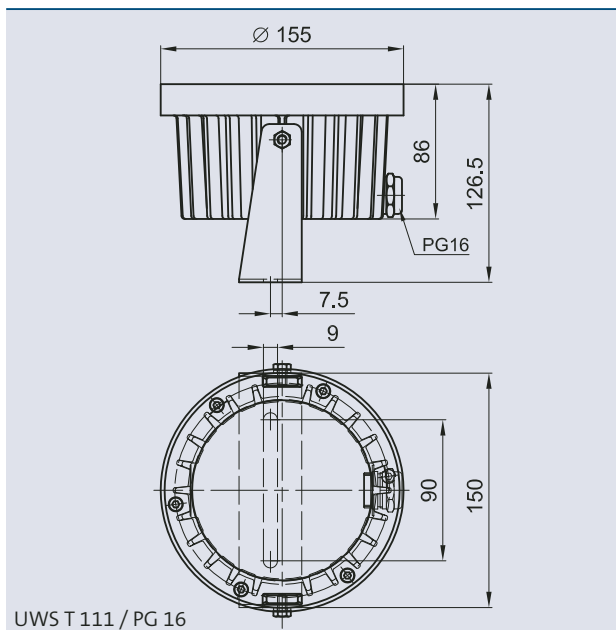
- Extremely robust tombac and stainless steel design
- Safety glass cover
- Flat surface for easy cleaning
- Extremely corrosion resistant
- Can also be used out of the water
- Supplied exclusive of connection cable, transformer, and bulb



UWS T 111 / PG 16



UWS TS 111 / PG 16



Accessories for UWS T 111/TS 111 (must be ordered separately)

Halogen reflector bulb 12 V				
Colour	white	white	white	white
Power Output [W]	50	75	100	100
Beam angle	24°	24°	10°	24°
Order no.	52939	52941	52942	52943
Underwater transformer UST 150/01 (see page 122)				50401
Underwater transformer UST 150/A/01 (see page 122)				50517

Connecting cable 12V AC/01 (see page 118)		Order no.
Cable 12V AC /3.0 m/01		12374
Cable 12V AC /7.5 m/01		12375
Cable 12V AC /15.0 m/01		11740
Power Box / Underwater power supply		Order no.
Power Box 12V AC/01 (see page 118)		50492

Underwater spotlight Delivered without bulb, transformer and cable		UWST 111	UWS TS 111
Dimensions (Ø x H)	[mm]	155 x 127	219 x 155
Nominal voltage	[V]	12	12
Power consumption	[W]	50, 75 or 100	50, 75 or 100
Light intensity	[cd]	4500 – 50000	4500 – 50000
Beam angle	[°]	10 or 24	10 or 24
Protection class		IP 68	IP 68
Cable inlets		1 x PG 16	1 x PG 16
Material		tombac/stainless steel	tombac/stainless steel
Cable length		–	–
Weight	[kg]	4.0	11.0
Order no.		52904	52909



	Fresh Water	Pool Water	Sea Water
Lamp Holder			
Freestand Light			

LAMP HOLDER AND FREESTAND LIGHT

For fast, easy, and secure mounting of up to six spotlights with the associated underwater transformers.

The holders can be mounted on all types of pipes above and below the water surface with an adjustable quick clamp fixture. Thus the spotlights can be symmetrically fixed in place around a nozzle pipe.

Product characteristics at a glance

- Lamp Holder compatible with:
 - ProfiLux LED 320/DMX/02 (50717)
 - ProfiLux E 100 (56898)
 - ProfiLux E 101 (56133)
 - LunAqua 10 halogen (54037)
 - ProfiLux LED 12V/01 (50367)
 - ProfiLux LED 24V/01 (50474)
 - LunAqua 10 LED/01 (50366)
- For Pipes from ½" to 2" (24 mm up to 67 mm)

Thanks to the corrosion-resistant total metal construction and the robust design the spotlight holders are extremely reliable and offer a long service life.

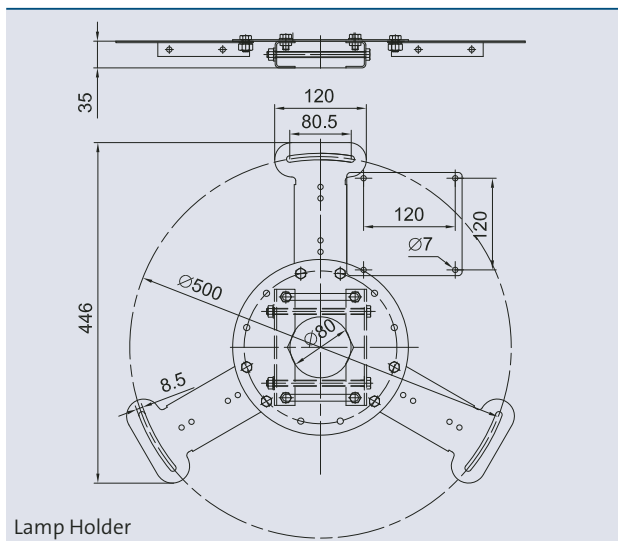
Product characteristics at a glance

- Stand for lights compatible with:
 - ProfiLux LED 320/DMX/02 (50717)
 - ProfiLux E 100 (56898)
 - ProfiLux E 101 (56133)
 - LunAqua 10 halogen (54037)
 - ProfiLux LED 12V/01 (50367)
 - ProfiLux LED 24V/01 (50474)
 - LunAqua 10 LED/01 (50366)
- Packing unit 4

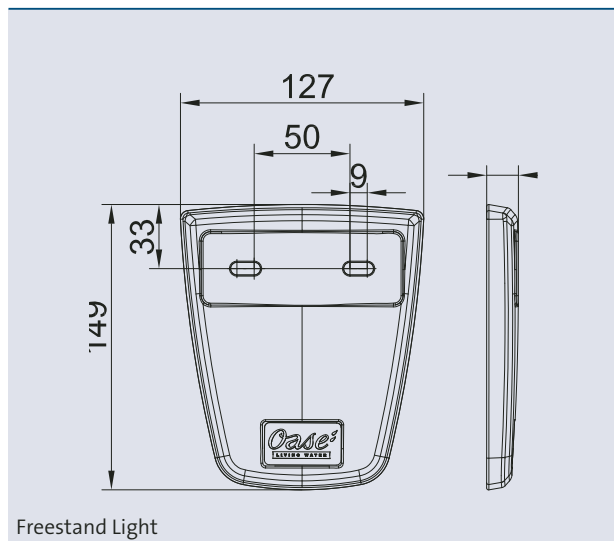
In the scope of delivery:

- Stand for lights
- 2 x screw M6x18
- 2 x screw nut M6

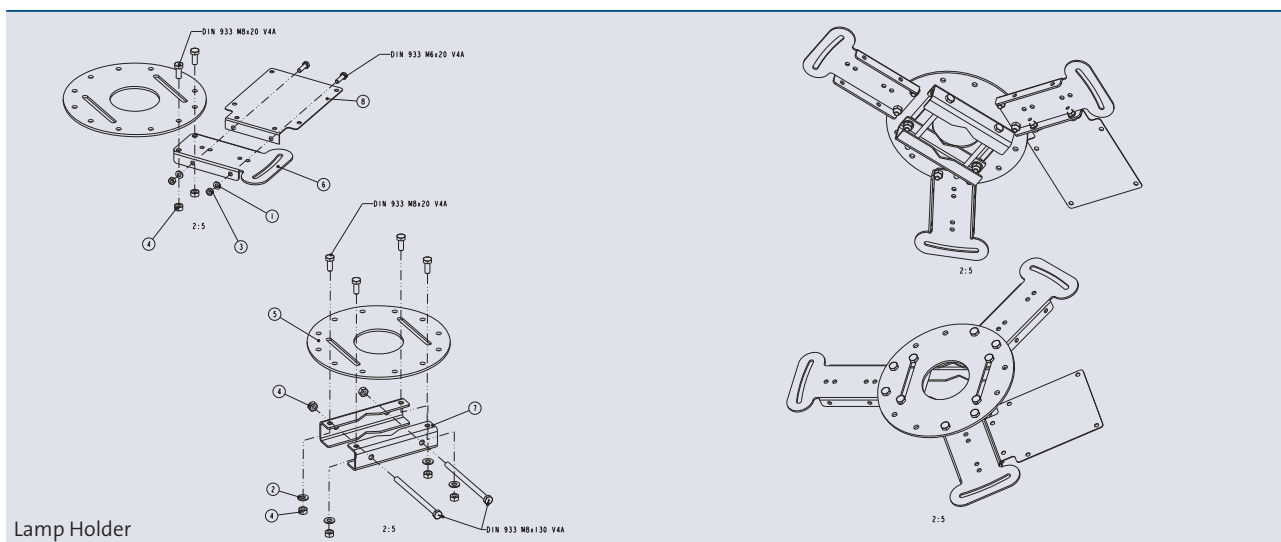




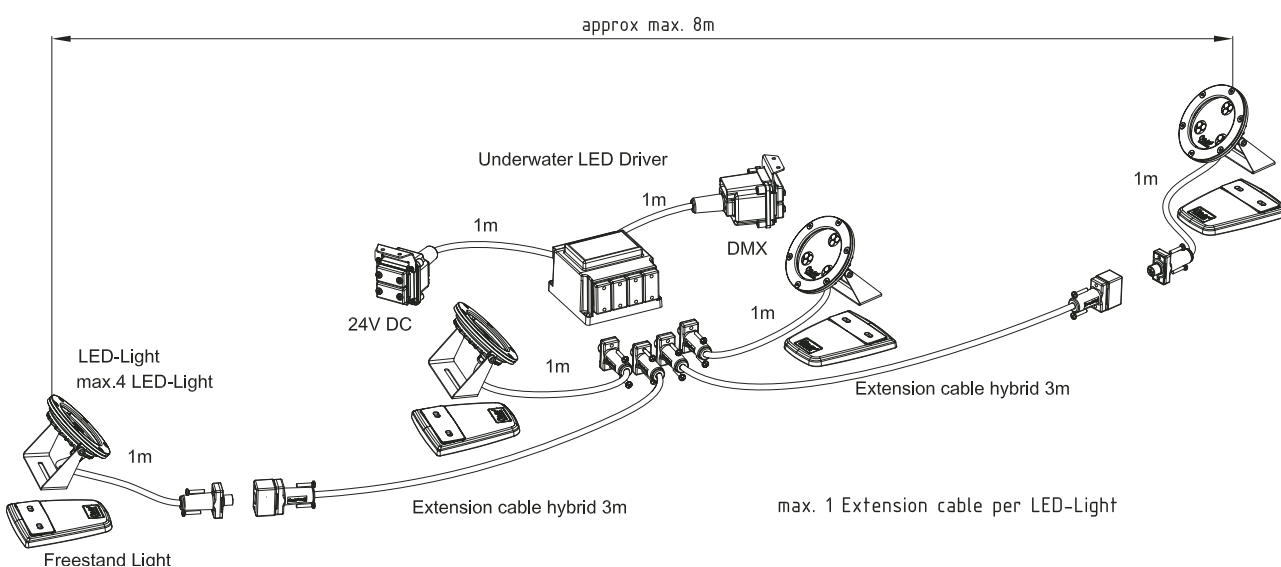
Lamp Holder



Freestand Light



Lamp Holder



Lamp Holder		
Dimensions (L x W x H)	[mm]	446 x 446 x 37
Material		Stainless steel
Weight	[kg]	3.4
Order no.		50786

Freestand Light		
Dimensions (L x W x H)	[mm]	149 x 127 x 17
Material		Stainless steel
Weight	[kg]	0.55
Order no.		50978

CITY FOUNTAINS

Location:

Nice –

Place Massena

OASE reference object, left

POWER

MEASURE – CONTROL – REGULATE



POWER – MEASURE – CONTROL – REGULATE

Precision-matched measurement, control and regulating technology from OASE are key essentials in display and programming fountains. There are some basic principles in this regard:

- For water features, fountains, and water show systems, it is important that pumps, throttle devices, filters, and water treatment systems operate in precise coordination.
- Electrical cables must be laid out in the pool, and they must be connected in such a manner that they are waterproof.
- If there is wind, the fountain height must be adapted to wind conditions, and the water level must always be compensated.
- When it gets dark, each fountain radiates with a fascinating brilliance produced by the use of underwater lights and the sophisticated play of colour.
- Sound, video, lasers, and pyrotechnics complete the fascinating water show effects.

Through the use of the easy control systems, programmable controllers or through the perfect combination of the ensemble comprising of all integrated components in an extensive network, the operator always has a full overview of system functions in any size and configuration.

The DMX/RDM technology opens up new possibilities. The DMX/RDM controller sends instructions to the products and receive information back, e.g. running time and electronic temperature. These status requests allow for remote diagnosis and remote maintenance which are the service concept of the future.

New in the catalogue:
WECS 1024
 (Water entertainment control system)
WECS 2048
 (Water entertainment control system)



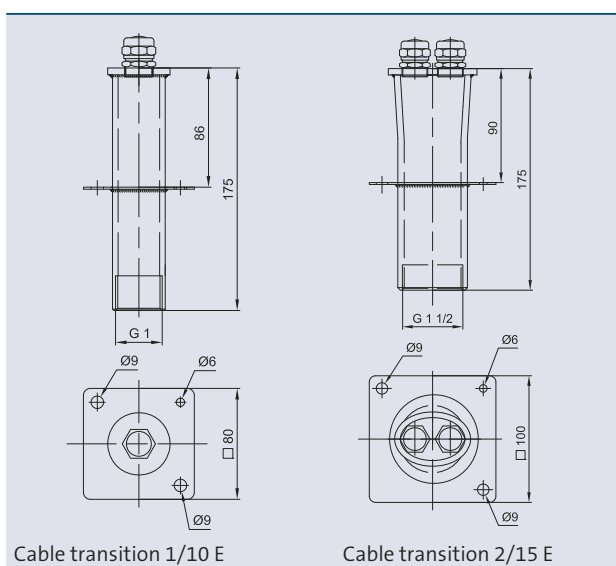
The OASE Easy Control can program your system from a PC or laptop.

• Cable transition armatures	page 114
• Underwater cable connectors	page 116
• Connection cable 12V AC/24 V DC	page 118
• Connection cable DMX	page 120
• Extension cable hybrid	page 120
• Electrical control systems	page 124
• Easy Control	page 126
• WECS 1024 and 2048	page 128
• Water level regulators	page 132
• Solenoid valves	page 132
• Water level sensors	page 134
• Wind level fountain controller	page 136
• Command Center	page 138



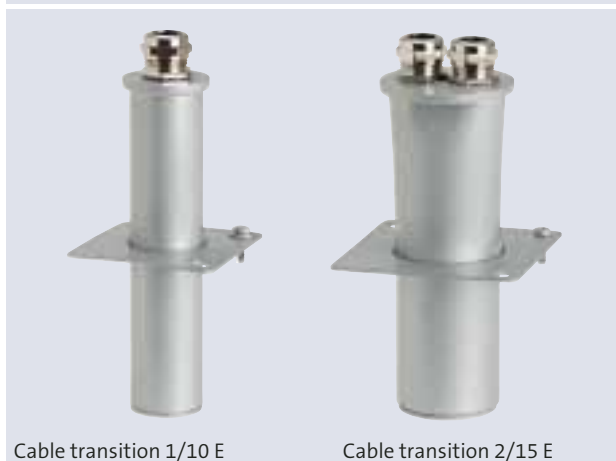
Cable transition	Fresh Water	Pool Water	Sea Water

CABLE TRANSITION KD 1/10 E AND KD 2/15 E CABLE TRANSITION KD 4/70 T, KD 7/100 T AND KD 12/100T



Cable transition 1/10 E

Cable transition 2/15 E



Cable transition 1/10 E

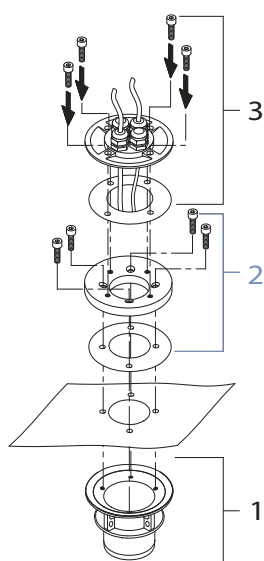
Cable transition 2/15 E

Electrical cables are routed under the water surface in all types of pools via cable transition armatures, in a manner that keeps cable transitions waterproof and invisible.

Product characteristics at a glance

- Elegant and professional connection to cable protection pipes
- Water-tight cable transitions through concrete basins
- Some units are suitable for liner
- Plug connection for connecting to the KG channel pipe or ED house installation pipe

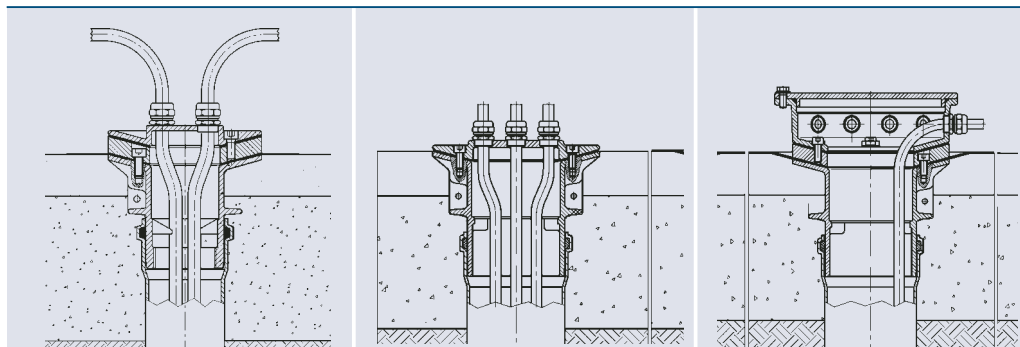
Cable transition		1/10 E	2/15 E
Dimensions (W x H)	[mm]	80 x 175	100 x 175
Number of cable connections		1	2
Suitable for cable diameter	[mm]	7 – 14	7 – 14
Connections	[inch]	1	1½
Material		stainless steel V4A	
Weight	[kg]	0.6	0.9
Order no.		51741	51740



1 The concrete part is the basis of every configuration. Available for DN 70 and/or DN 100 pipes.

2 The clamping flange for fastening with or without liner. Products without cable transitions are listed on page 184 ff.

3 Depending on the requirement a decision is made at this point concerning the specific implementation: Plug, sieve, overflow or level regulator.



3	Cable transition 4/70 T	Cable transition 7/100 T	Cable transition 12/100 T
Dimensions (ø x H) [mm]	150x50	190x50	230x70
Designation	cable transition	cable transition	cable transition
Number of cable connections	4	7	12
DN	70	100	100
Material	tombac	tombac	tombac
Weight [kg]	1.1	1.9	5.5
Order no.	57470	57464	57465

2 (optional)	Liner clamping flange 70 T KD	Liner clamping flange 100 T KD
Dimensions (ø x H) [mm]	150x25	190x40
Designation	liner clamping flange KD	liner clamping flange KD
DN	70	100
Material	tombac	tombac
Weight [kg]	2.0	2.9
Order no.	57473	57474

1	Concrete part 70 T	Concrete part 100 T
Dimensions (ø x H) [mm]	70x110	100x141
Designation	concrete part	concrete part
DN [mm] / [inch]	70 / 2"	100
Material	tombac	tombac
Weight [kg]	2.1	3.2
Order no.	57471	57467

Please follow the international and local norm



	Fresh Water	Pool Water	Sea Water	220-240 V	400 V	110-120 V	50 Hz	60 Hz	12 V AC
Underwater cable connector									
Junction Box									

UNDERWATER CABLE CONNECTOR T 3 AND JUNCTION BOX 8/M20 AND 14/M20

OASE underwater cable connectors are used for connecting and separating elements for electrical consumers, such as underwater pumps, or underwater spotlights, in all areas of water technology.

They enable trouble-free connection and disconnection of consumers from supply lines. Separation is necessary for example if the consumer must be removed for service purposes. With OASE underwater cable connectors, usually connecting and disconnecting is possible without draining the water.

All types have a transparent lid. Several blind plugs are supplied with each underwater cable connector to seal unused cable glands.

Product characteristics at a glance

- A solution that has proven itself in practice
- For small, medium-sized, and larger consumers
- With transparent lid for checking
- Corrosion resistant



Underwater cable connector T 3

Cable connectors are connecting and separating elements for electrical consumers in all areas of water technology. Consumers can be conveniently connected and disconnected – and thanks to OASE – even without draining the water!

The new junction box is a revolution in the field of underwater cable connectors: It is easy to install and offers many combination possibilities.

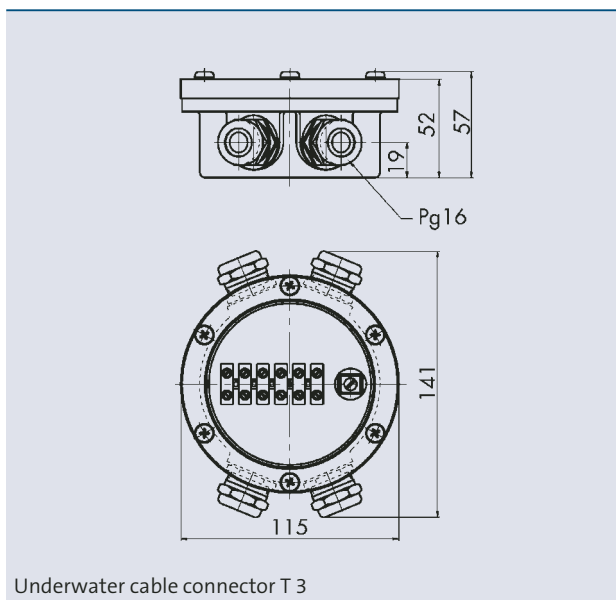
The junction box is available in 2 standard versions: The junction box 8/M20 contains 8 and the 14/M20 comes with 14 pieces of M20 cable glands.

Product characteristics at a glance

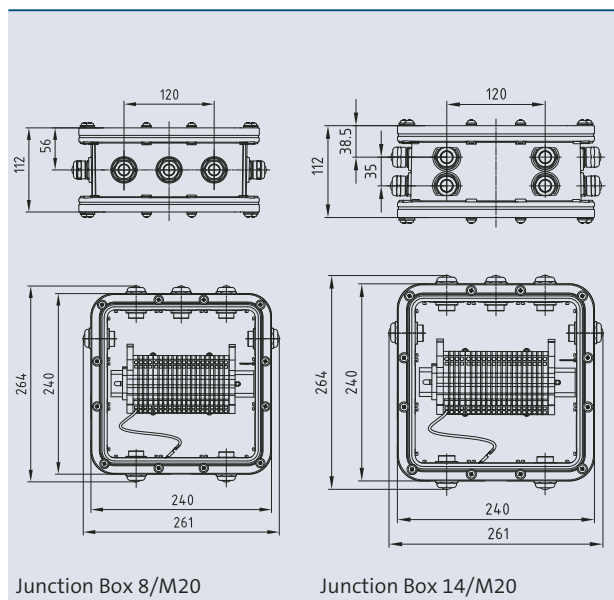
- 8 or 14 cable glands
- Easy service



Junction Box 8/M20 and 14/M20



Underwater cable connector T 3



Junction Box 8/M20

Junction Box 14/M20

Junction Box	Underwater cable connector	8/M 20	14/M 20
Dimensions (L x W xH) [mm]	(\varnothing x H) 115 x 57	264 x 261 x 112	264 x 261 x 112
Protection class	IP 68	IP 68	IP 68
Number of cable glands	4	8 x M20	14 x M20
Suitable for cable diameter [mm]	7 – 14	6 – 13	6 – 13
Number of terminals	5	16 (4 mm ²)	18 (4 mm ²)
Number of PE terminals	1	5 (4 mm ²)	6 (4 mm ²)
Material	tombac	PET-GF45 / Makrolon	PET-GF45 / Makrolon
Weight [kg]	1.2	3.4	3.9
Order no.	51334	57486	50358

Please follow the international and local norm



	Fresh Water	Pool Water	Sea Water	220-240 V	400 V	110-120 V	50 Hz	60 Hz	12 V AC	24 V DC	DMX	DMX/RDM	Plug and Spray
Connection cable 12V AC	✓	✓	✓	✓	✓	✓	✓	✓	✓	✓	✓	✓	✓
Connection cable 24V DC	✓	✓	✓	✓	✓	✓	✓	✓	✓	✓	✓	✓	✓

CONNECTION CABLE 12V AC AND 24V DC

OASE connection cables 12 V AC/01 and 24 V DC/01 are designed specially for underwater applications.

The unique connection sockets are IP 68 rated. The gaskets are integrated in the plugs.

Product characteristics at a glance

- female / female connections
- IP 68 rated



Connection cable 12V AC

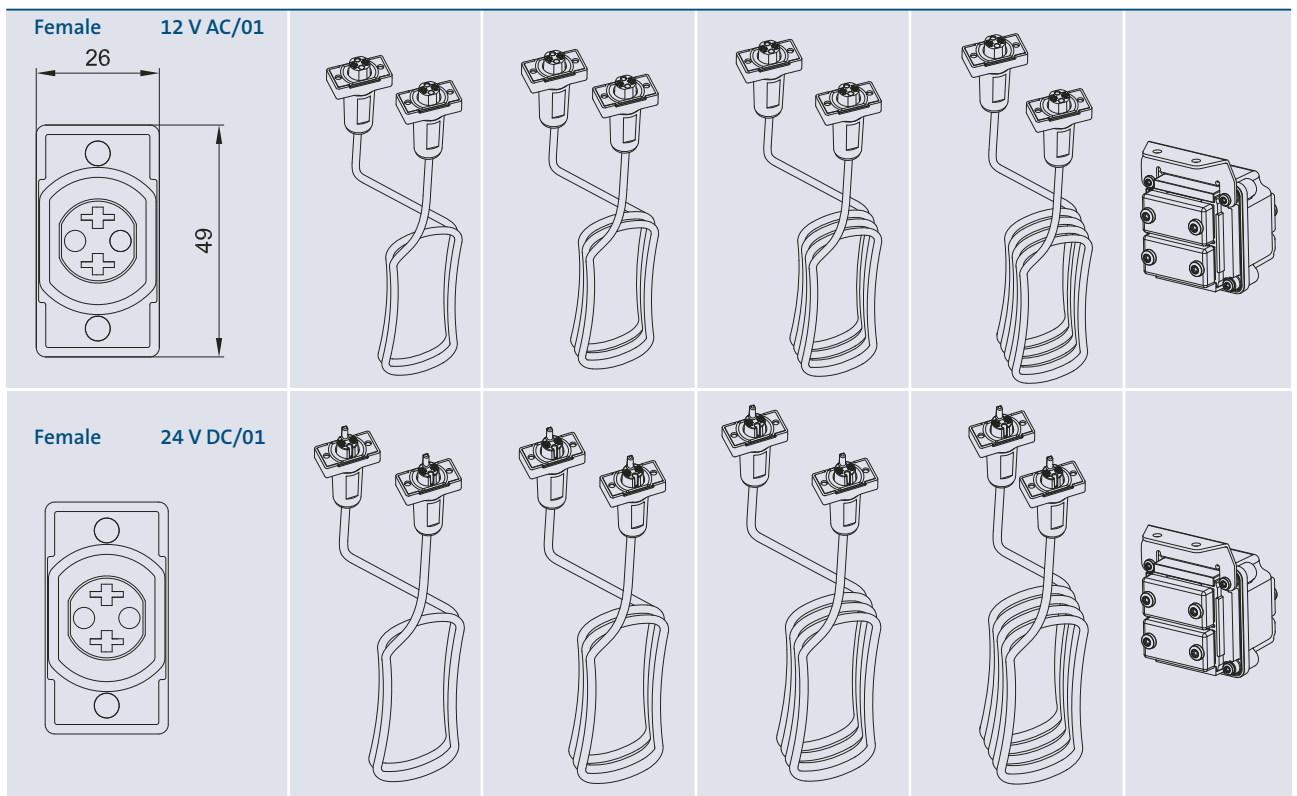


Connection cable 24V DC



Accessories (must be ordered separately)

Service Pack	Order no.
Service Pack 12 V AC / 01	12808
Service Pack 24 V DC / 01	12810



Connection Cable 12 V AC/01	1.0 m	3.0 m	7.5 m	15.0 m	Power Box 12 V
Length [m]	1.0	3.0	7.5	15.0	
Diameter (ø) [mm]	2 x 2.5 ²	2 x 2.5 ²	2 x 2.5 ²	2 x 2.5 ²	
Weight [kg]	0.2	0.4	1.4	2.6	0.47
Order no.	12768	12374	12375	11740	50492
Connection cable 24 V DC/01	1.0 m	3.0 m	7.5 m	15.0 m	Power Box 24 V
Length [m]	1.0	3.0	7.5	15.0	
Diameter (ø) [mm]	2 x 2.5 ²	2 x 2.5 ²	2 x 2.5 ²	2 x 2.5 ²	
Weight [kg]	0.2	0.4	1.4	2.6	0.47
Order no.	12762	12552	12553	11720	50493



	Fresh Water	Pool Water	Sea Water	220-240 V	400 V	110-120 V	50 Hz	60 Hz	12 V AC	24 V DC	DMX	DMX/RDM	Plug and Spray
Connection cable DMX	✓	✓	✓	✓	✓	✓	✓	✓	✓	✓	✓	✓	✓
Extension cable hybrid	✓	✓	✓	✓	✓	✓	✓	✓	✓	✓	✓	✓	✓

CONNECTION CABLE DMX

OASE connection cable DMX/01 cables are designed specially for underwater applications.

The unique connection sockets based on XLR standards (5-pole) are IP 68 rated. The gaskets are integrated in the plugs.

Product characteristics at a glance

- female / male connections
- IP 68 rated
- 2-core shielded



Connection cable DMX

EXTENSION CABLE HYBRID 3.0 M

OASE Extension cable hybrid is also designed for underwater applications.

These Extension cable hybrid(Data+Power) is for:

- ProfiLux LED 320/DMX/02 (50717)
- ProfiRing LED 320/DMX/02 (50718)
- ProfiPlane LED 320/DMX/02 (50719)

Only one extension can be used per LED unit.

Product characteristics at a glance

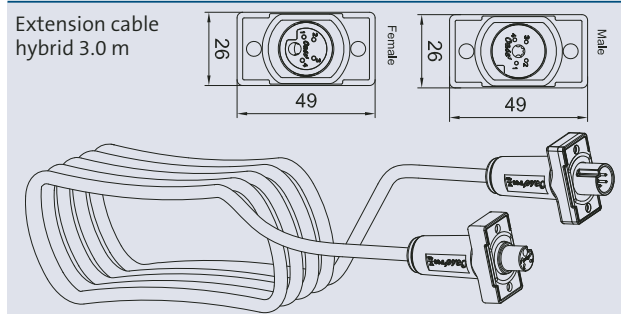
- Extension cable hybrid 3m long with connector
- female / male connections
- IP 68 rated
- 4-core shielded

In the scope of delivery:

- 4 x screw M5
- 1 x cable
- 1 x connector



Extension cable hybrid 3.0 m



Extension cable hybrid / 3,0m / 01		
Length	[m]	3
Diameter (ø)	[mm]	4 x 0,34²
Weight	[kg]	0.38
Order no.		50728

Accessories (must be ordered separately)

Service Pack	Order no.
Service Pack DMX / 01	12807

		1.0 m	3.0 m	5.0 m	10.0 m	20.0 m	End Resistant for
							Bus-System DMX/01
Length	[m]	1.0	3.0	5.0	10.0	20.0	—
Diameter (ø)	[mm]	2 x 0.34²	2 x 0.34²	2 x 0.34²	2 x 0.34²	2 x 0.34²	—
Weight	[kg]	0.2	0.4	0.7	1.8	3.3	0.1
Order no.		12368	12369	12371	12372	12373	12007



	Fresh Water	Pool Water	Sea Water	220-240 V	400 V	110-120 V	50 Hz	60 Hz	12 V AC	24 V DC	DMX	DMX/RDM	Plug and Spray
Underwater power supply	✓	✓	✓	✓	✓	✓	✓	✓	✓	✓	✓	✓	✓
Transformer UST 150/01	✓	✓	✓	✓	✓	✓	✓	✓	✓	✓	✓	✓	✓
Transformer UST 150/A/01	✓	✓	✓	✓	✓	✓	✓	✓	✓	✓	✓	✓	✓

UNDERWATER POWER SUPPLY 250 24V/01 AND UNDERWATER TRANSFORMER UST 150/01, 150/A/01

The Underwater Power Supply and the underwater transformer have the protection class IP 68 and are equipped with 4 slots.

Through this special connection technology, wiring by hand is no longer necessary.

Product characteristics at a glance

- 24V DC Power Supply for underwater
- Fixing by 4 screw possible
- 4 x female 24 V DC OASE connector
- IP 68 rated

Product characteristics at a glance

- 12V AC Power Supply for underwater
- Fixing by 4 screw possible
- 4 x female 12 V AC OASE connector
- IP 68 rated

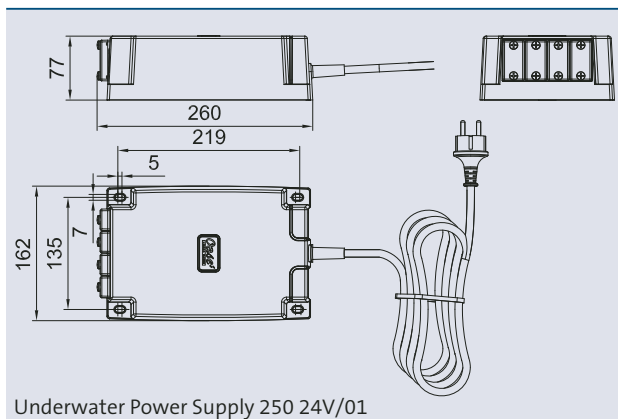
INNOVATION – MADE BY OASE



Underwater Power Supply 250 24V/01



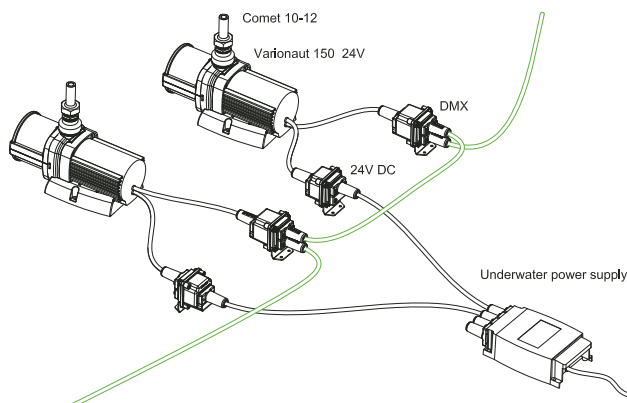
Underwater transformer UST 150/01 and 150/A/01



Underwater Power Supply 250 24V/01

One Underwater Power Supply 250 24V/01 can be connected with max. 2 x Varionaut 150/24V or max. 4 x Varionaut 90/24V or max. 4 x Underwater LED Control with 4 x ProfiPlane LED 320/DMX/02, ProfiRing LED 320/DMX/02 or ProfiLux LED 320/DMX/02 (=max. 16).

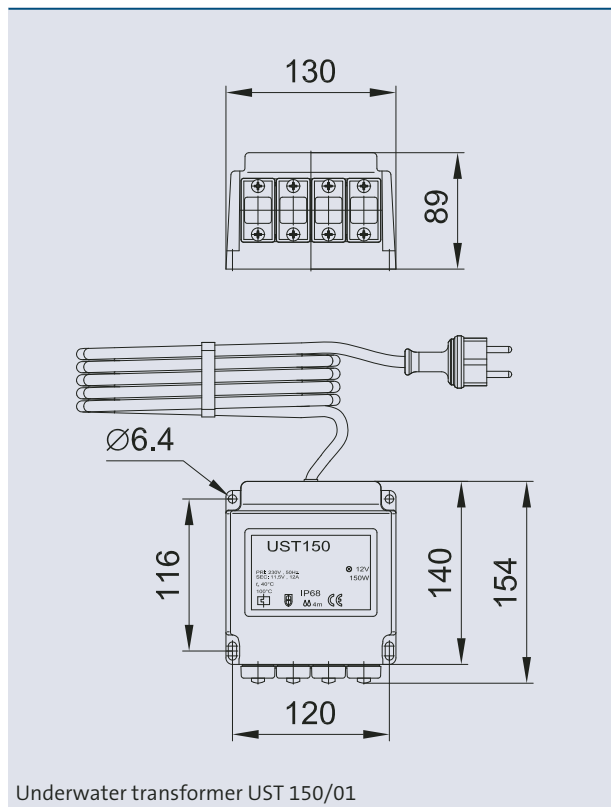
This Underwater Power Supply is also for the LED Modul II 960 (see on page 18), the MDD II and ProfiLux 370 LED (see on page 100).



Additional informations are available on the internet www.oase-livingwater.com

Underwater Power Supply 250 24V/01		
Dimensions(L x W x H)	[mm]	260 x 162 x 77
Nominal input voltage	[V/AC]	100-240
Nominal input frequency	[Hz]	50/60
Secondary voltage	[V/DC]	24
Secondary current	[A]	10,5
Efficiency	[%]	≥90
Stand by power consumption	[W]	≤1
Environmental conditions: submersible application	Water temperature: min 4°C to max. 35°C	
Environmental conditions: dry application	Ambient temperature: max 30°C with natural convection, no direct sun exposure permitted	
Slot S	[V/DC]	4 x 24
Immersion depth max.	[m]	4
Protection class		IP 68
Cable length	[m]	10
Weight	[kg]	5,5
Order no.		50733

Please follow the international and local norm



Underwater transformer UST 150/01



Underwater transformer	UST 150/01		150/A/01	
<ul style="list-style-type: none"> • 4 couplings • Connection of 4 x 35 Watt, 3 x 50 Watt or 2 x 75 Watt halogen spotlights • Connection of 4 x 10 Watt LunAqua 10 LED • Connection of 8 x ProfiLux LED 12V/01 with 4 power boxes 				
Dimensions (L x W x H)	[mm]	154x130x89	[inch]	6x5.1x3.5
Primary voltage	[V/Hz]	230/50	[V/Hz]	120/60
Secondary voltage	[V]	12	[V]	12
Consumption	[VA]	150	[VA]	150
Cable length	[m]	10	[ft]	20
Weight	[kg]	4.5	[lbs]	9.9
Order no.		50401		50517

Example drawings on page 103

Please follow the international and local norm



	220-240 V	400 V	110-120 V	50 Hz	60 Hz	12 V AC	24 V DC
Switchgear	✓	✓	✓	✓	✓	✓	✓

ELECTRICAL SWITCHGEAR IN STANDARD AND SPECIAL DESIGN

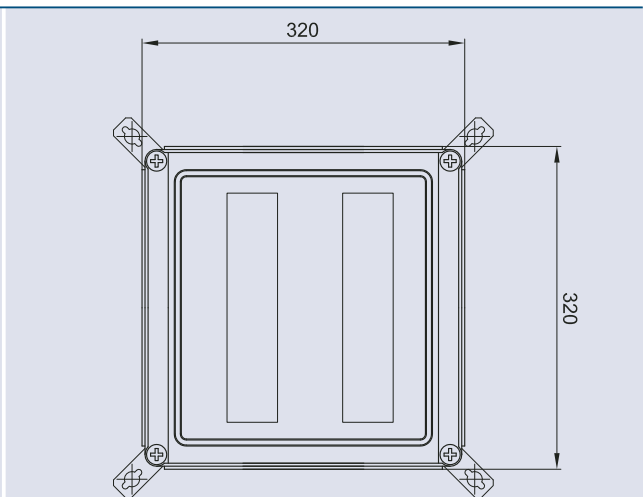
OASE switchgear and control centres for spray fountain or fountain installations are manufactured with the latest technology. They satisfy the VDE guidelines in all points and are equipped with all required protection and safety fixtures.

Product characteristics at a glance

- Especially suitable for public systems
- Equipped with all required protection and safety fixtures
- Wired ready-to-connect
- Special solutions are manufactured on customer request



Switchgear



Switchgear

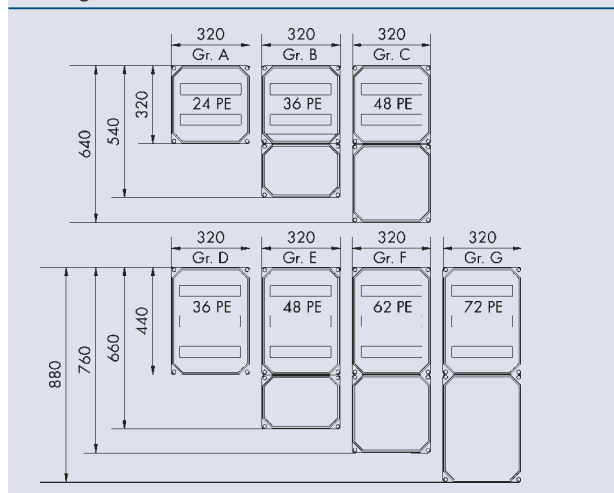


A residual current protection switch cuts the system off immediately if nominal residual current greater than 30 mA is detected, so that complete safety is always ensured for people, animals and equipment. Safety cut-outs protect individual components in the event of overload and short-circuit. Special motor circuit breakers with 3-phase protection avoid the motor in the event of overload and running in 2-phases. Depending on the requirements and customer desires switchgear systems can be fitted with special start-up processes such as star-delta starting or soft start-up to ensure safe start-up of the motors.

Pump, lighting, and water level regulator can be switched on or off automatically or manually with the manual-0-automatic switch in conjunction with 2-channel timers.



Switchgear



The standard models offer suitable switchgear for a variety of applications. In addition OASE manufactures the perfect switchgear with all required additional fixtures for all conceivable customer requirements.

Switchgear		EL 100 W	EL 101 W	EL 110 W	EL 111 W
Dimensions (LxWxH)	[mm]	320x320x200	320x320x200	320x320x200	320x320x200
Protection class		IP 55	IP 55	IP 55	IP 55
Input voltage	[V/Hz]	1 x 230/50	1 x 230/50	1 x 230/50	1 x 230/50
Residual current protection switch	[A]	25/0.03	25/0.03	25/0.03	25/0.03
Timer, Number of programs		2	2	2	2
Output voltage pumps [V]		1x 230	1x 230	1x 230	1x 230
Output power pumps [kW]		1x 0.55	1x 0.55	1x 0.55	1x 0.55
Type of motor start-up		direct	direct	direct	direct
Motor protection switch		no	no	no	no
Output voltage illumination	[V/AC]	none	none	1x230	1x 230
Output power illumination	[kW]	none	none	1x0,30	1x 0,30
Output voltage water-level regulator	[V/DC]	none	24	none	24
Output voltage water-level regulator	[W]	none	1x 15	none	1x 15
Number of M-0-A switches		1	2	2	3
Number of indicator lights		1	2	2	3
Weight [kg]		6.0	6.2	6.2	6.8
Order no.		51341	51342	51343	51344



	220-240 V	400 V	110-120 V	50 Hz	60 Hz	12 V AC	24 V DC	DMX	DMX/RDM	Plug and Spray
Easy Control	✓	✓	✓	✓	✓	✓	✓	✓	✓	✓

EASY CONTROL – FOR YOUR INDEPENDENCE!

With the OASE Easy Control you can easily program your system from a PC or laptop – on a well-organised user interface, with freely programmable sequential programs of up to 256 programmable channels, and everything is transmitted simply via USB – a convincing concept!

The device is quite simple to operate: The interface module is connected to a laptop or PC via USB connectors, the software is installed, and you are ready to program. Thanks to the well-organised and clearly structured user interface you can create sequential programs without programming skills. The interface module has 256 channels that can be controlled individually. Signals are transmitted via DMX-512.



Easy Control

Product characteristics at a glance

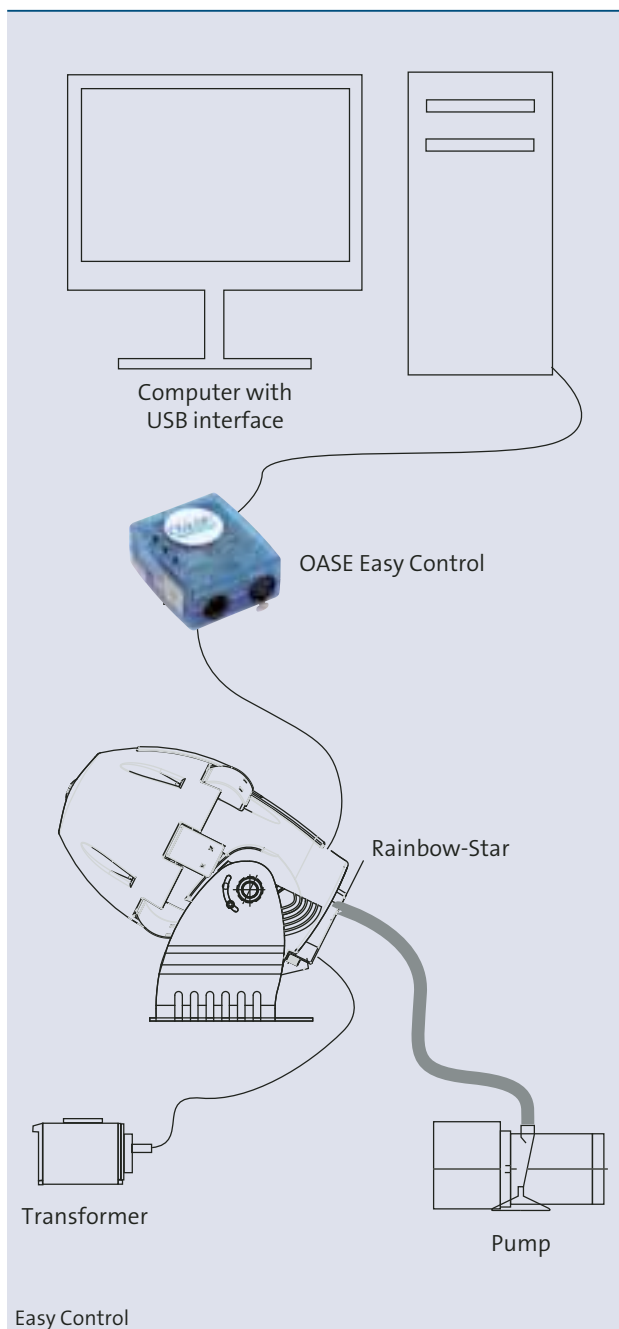
- Simple programming from PC or laptop
- Signal transmission via USB
- Freely programmable sequential
- Up to 256 channels can be programmed in stand alone operation

Scope of delivery:

- USB cable
- Power Supply Unit



PC not in the scope of delivery



DMX IN DETAIL: INFORMATION ON THE TRANSMISSION PROTOCOL

The transmission protocol for our components (e.g. Jumping Jet, Varionaut etc.) is sent via a serial bus system (in accordance with the industrial protocol RS 485).

The protocol is based on DMX-512 or DMX-512/1990 and originally comes from the application area of stage and show technology. DMX means Digital MultipleXed.

DMX-512 is an accord concerning the connection between control device (transmitters, such as OASE DMX Easy Control or OASE WECS (Water Entertainment Control System)), and receivers (such as Jumping Jet, Varionaut, dimmer pack, scanners, etc.)

The data network is structured as a bus topology (daisy chain). The advantage of this structure is that you only need one data line to activate the components (spotlights, Jumping Jet, etc.) because you simply loop the DMX line through from device to device. With DMX-512 up to 512 different information signals can be transferred over one DMX line. A maximum of 32 devices (receivers) can be connected to one DMX line

Attention: To ensure correct signal transmission the DMX line should not exceed a length of 100 m and end with DMX resistant.

DMX-capable devices are equipped with standardised 5-pole XLR connectors.

Easy Control				
Dimensions (L x W x H)	[mm]	100 x 80 x 45	[ft]	0.33 x 0.26 x 0.15
Compatibility		DMX-512 / 1990		DMX-512 / 1990
Channels		256 (transmit mode on the PC) 256 (stand-alone mode)		
Connection PC		USB 2.0		USB 2.0
Connection bus system		XLR 5-pin male/female		XLR 5-pin male/female
Supply voltage	[V]	5 per USB	[V]	5 per USB
Operating System		Windows XP, Vista, Win 7		Windows XP, Vista, Win 7
Weight	[kg]	0.2	[lbs]	0.44
Order no.		50289		50175



	220-240 V	400 V	110-120 V	50 Hz	60 Hz	12 V AC	24 V DC	DMX	DMX/ RDM	Plug and Spray
WECS 1024	✓	✓	✓	✓	✓	✓	✓	✓	✓	✓
WECS 2048	✓	✓	✓	✓	✓	✓	✓	✓	✓	✓

WATER ENTERTAINMENT CONTROL SYSTEM WECS 1024 AND 2048

These are DMX Controller for up to 1024 or 2048 channels and RDM suitable. The DMX/RDM technology opens new possibilities.

Product characteristics at a glance

- Controller for up to 1024 Channels
- Suitable for standard and musical fountains
- RDM ready
- Including a time and calendar function
- Can be mounted into control cabinets direct on DIN-rails
- Musical fountain together with PC*

The controller send a RDM-data packages to components and the participants analyse the data and sends answers on the same line e.g. running time and temperature. These status requests require remote diagnosis and remote maintenance which are the service concepts of the future.

Product characteristics at a glance

- For big Multimedia installations
- For Stand-alone-operation
- Controls big installations music synchronal
- RDM capable: RDM capable terminals are tied into shows very easily and can be configured and supervised
- Software available also for PC (Programming environment)
- Show installation and component test by W-Lan
- Ordering in addition real time 3D simulation



WECS 1024

* PC is not included in content of delivery



WECS 2048

WECS 1024 Product Specification	
Ethernet/DMX Interface	
2 x 512 DMX channels (RDM Ready)	
Stand alone capable: plays stored shows	
Power supply via mains circuit (12/24V, AC/DC) or power-over-Ethernet	
Access 1 x RJ 45 (Ethernet - e-net) DMX 512 access 2 x RJ 45 , 2x clamp terminals	
Serial interface input RS 232	
Changeable intern micro SD memory card	
7-Segment LED display	
Real time clock	
Aluminium housing	
DIN rail capable	
Dimensions (LxWxH): 175 x 60 x 75 mm	
Weight: 0,4 kg	
Colour: silver / red	
In the scope of delivery:	
Hardware (see picture)	
System documentation,	
Software Programmer Enterprise on CD, with media player for audio and video*	
OASE Scheduler	
SD card inclosed	
Dongle for licence protection	
Order no.	50596

* PC is not included in content of delivery *¹

²

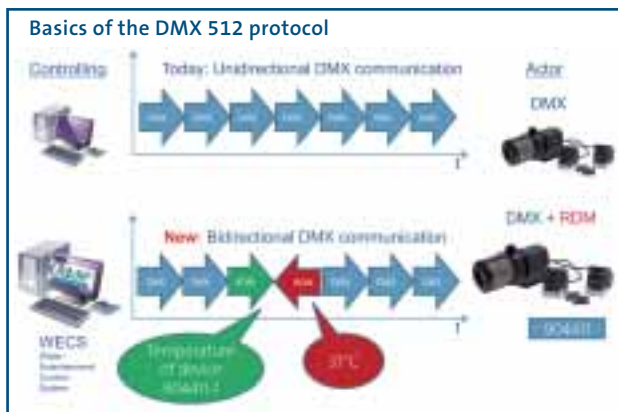
Following requirements of the PC should be fulfilled for WECS1024 applications:

- Windows Vista Professional (English Version) or Windows 7 Professional (English Version)
- Microsoft .Net Framework 3.5 (for Oase Scheduler)
- Intel Pentium 4 or later
- 2048 MB RAM
- 1024 x 768 Screen resolution or better
- Minimum 2 USB Ports (Mouse and Dongle)
- Audio output
- Ethernet Port (100MBit)
- Option: Second Ethernet Port (100MBit) for Remote Service Access

Water Entertainment Control System 2048	
WECS 2048 server (19" PC 2,5 GHz dualCore 2GB Ram XP-Embedded)	
PC housing: 19 Zoll 3 HE front colour black/blue	
PC Power Supply: 110/230 V AC	
Mainboard Gigabyte G31M-ES2L	
Graphic adapter card	
Solid state drive 60 GB or higher	
19" wide-Screen TFT monitor	
Junction box with 4 x RDM/DMX-Output XLR 5 pin male/female,	
4 x RDM/DMX-Input XLR 5 pin male/female,	
2 x symmetrical audio outputs and 1 x audio output	
Keyboard with touchpad	
© WECS2048 Software	
Dimensions (L x W x H): 1000 x 750 x 400 mm	
Weight: 30 kg	
In the scope of delivery:	
Hardware (see at the picture)	
System Documentation	
Order no.	50597



The DMX-Technology make fountain effects possible; Variation of the water pattern, RGB colour changes, multidirectional movements of interactive fountains.



The DMX-Bus now is bidirectional. This is possible because of the protocol expansion RDM (Remote Device Management).

The connecting technique stays unchanged! Both existing connection (Pin 2 and 3) at the established XLR-plugs are being used.



The new RDM/DMX Technology operate as follow: The WECS-Controller will send permanently DMX – data flow. It is paused for a short moment then one RDM-data package will be sent directly to a component. The participant analyses the data and sends an answer on the same line (Graphic DMX/RDM). The targeted requesting (polling) avoids that multiple participants are sending at the same time. The protocol expansion has no effect on participants without RDM.

The controller basically gets a reply for all RDM-based data packages while ...

...Addressing participants

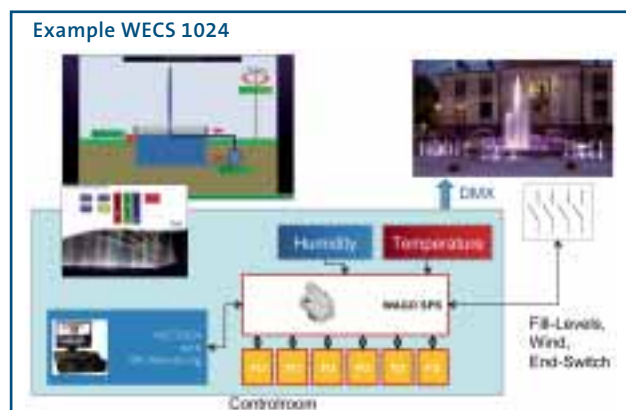
...Configuration

...Status request

...Malfunction request

...Doing software updates or parameter adjustings

With this new Technology, an automatic address placing is possible. It simplifies the implementation and the error search and lower costs in the After-Sales-section. Status requests are also possible (Malfunction protocol, work hours counter, temperature, etc.).



OASE WATER ENTERTAINMENT CONTROL SYSTEM (WECS)



		Easy Control	WECS 1024	WECS 2048
Hardware	DMX Output RDM Input Connection to PC	1 half Universe (256 DMX Channels) – Digital Inputs: 8 USB	2 Universe (2 x 512 DMX Channels) Yes. (Not in Stand Alone) Digital Input: 8 Ethernet 100MBit	4 Universe (4 x 512 DMX Channels) Yes – PCI, Card built-in 19" Rack PC with Windowx XP Embedded 19" WS-Monitor + Keyboard + Mouse Junction box for DMX and Audio Output WECS 2048 console terminal (Optional)
Hardware	Stand Alone capable Stand Alone Memory Stand Alone Calendar	Yes Built In (64k) – –	Yes miniSD-Card (1GB) Yes. Clock built in. Infrared Remote Control (Optional)	– – – –
Computer	Hardware Operating System	Laptop or Desktop PC Windows XP, Vista ,7 (32/64-Bit)	Laptop, Desktop PC or Embedded PC Windows, Vista, Windows 7 (32/64-Bit)	Included in hardware delivery content
Connectivity	Input/Output	USB	USB Ethernet e:net (Butler Red, Butler XT, a.s.o.) Ethernet Art-Net (1 Universe) Ethernet Modbus UDP with Script Language Ethernet UDP Messaging Ethernet HTTP Midi-Timecode In/Out SMPTE-Timecode In RS232-Remote Control Audio-Out –	USB – Ethernet Art-Net Full Support Ethernet Modbus TCP/UDP Built-In Ethernet TCP/UDP Messaging – Midi-Timecode In/Out SMPTE-Timecode Out RS232-Remote Control Audio-Out Connection for Faderunit
Software	Fixture Library Patching Parameter Curves Cues Sequences Media Support FX Effects Scripts/Macros Scheduler Special Water Effects Operating and Monitoring	– – – Yes – – – – – –	Yes Yes MinMax- Values Only Merging HTTP Yes Yes Yes (Audio + Video, not in Stand Alone) SINUS, RECT, WAVES and much more Good support for matrix programming Text output Bitmap Effects FX Templates Complex Scripting Language OASE Scheduler Dayplans and Yearplans – – – Editable User Interface (Action PAD) RDM-Monitor Logbook files DMX Channel Preview	Yes Yes Editable Curve Merging HTTP Yes Yes Yes (Audio + Video) SINUS, RECT, WAVES and much more Editable Effect waves Good support for matrix programming Text output Bitmap Effects FX Templates – Built In Scheduler Dayplans, Weekplans, Yearplans ACL (Function for Varioswitch) ACD (Automatic Channel Dimming) for fountain lights MDN-Controller (MDN Motion Control) Small User Interface (TechViewer) RDM-Monitor – DMX Channel Preview



	Fresh Water	Pool Water	Sea Water	220-240 V	400 V	110-120 V	50 Hz	60 Hz	12 V AC	24 V DC
Electronic water level control										
Solenoid valve										

ELECTRONIC WATER-LEVEL REGULATOR EWR 1, EWR 2 AND SOLENOID VALVES MV 0.5" 24V, MV 1" 24V

The EWR water-level regulator can be used for electronic water-level monitoring, and consequently for automatic top-up infeed of pool water, but it can also be used to switch off pump systems in the event of dry run.

Product characteristics at a glance

- Electronically monitoring of water level
- Automatic top-up infeed of pool water
- Automatic switch off of pump technology when using water-level sensors incl. dry-run protection electrode

OASE solenoid valves to top-up pool water are installed in the fresh water infeed line of a pool system or in a water reservoir.

Product characteristics at a glance

- For automatic regulation of the water level



Electronic water level control 1



Electronic water level control 2



Solenoid valve 1/2" 24 V

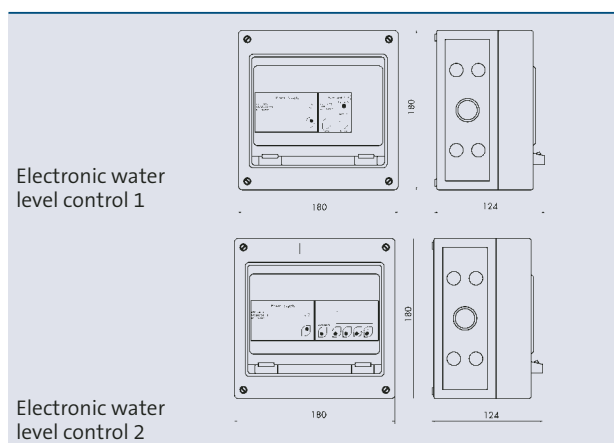


Solenoid valve 1" 24 V

The water-level control device essentially consists of an electronic water-level regulator, a water-level sensor, and a solenoid valve. Depending on the area of implementation individual components are available in different models.

In automatic mode, and if there is an empty pool, the solenoid valve in the fresh water in feed line opens and the water flows until it reaches the maximum electrode. As soon as the maximum electrode is reached a non-hazardous control current flows between the maximum electrode and the common electrode. This switches the solenoid valve off and water infeed is interrupted. If the water level drops to a level where the minimum electrode is no longer covered with water, the control current will be interrupted. The solenoid valve opens and allows water to flow until the water level has reached the maximum electrode and the control current flows again.

For greater reliability and safety there are only 24-Volt models.



		Electronic water level control 1	Electronic water level control 2
Dimensions (LxWxH)	[mm]	180 x 180 x 124	180 x 180 x 124
Housing		plastic	plastic
Protection class		IP 54	IP 54
Voltage	[V/Hz]	100-240/50-60	100-240/50-60
Output power			
Solenoid valve	[V/Hz]	230/50	230/50
	[A]	5.0	5.0
Solenoid valve	[V/DC]	24	24
	[A]	0.5	0.5
Pump	[V/Hz]	230/50	230/50
	[A]	5.0	5.0
Switch/Button		1	2
Indicator lights		1	1
Connections for electrodes		3	4
Dry-run protection		no	yes
Alarm monitoring		no	yes
Weight	[kg]	2.1	2.1
Order no.		51554	55846

		Solenoid valves ½" 24 V	Solenoid valves 1" 24 V
Dimensions (LxWxH)	[mm]	67 x 45 x 88	96 x 70 x 108
Function		normally closed	normally closed
Nominal diameter		½"	1"
Directions		2/2	2/2
Voltage	[V/DC]	24	24
Duty cycle		100 %	100 %
Protection class		IP 65	IP 65
Pressure range	[bar]	0.4 – 10	0.4 – 10
Material		brass	brass
Weight	[kg]	0.5	1.3
Order no.		51556	51557

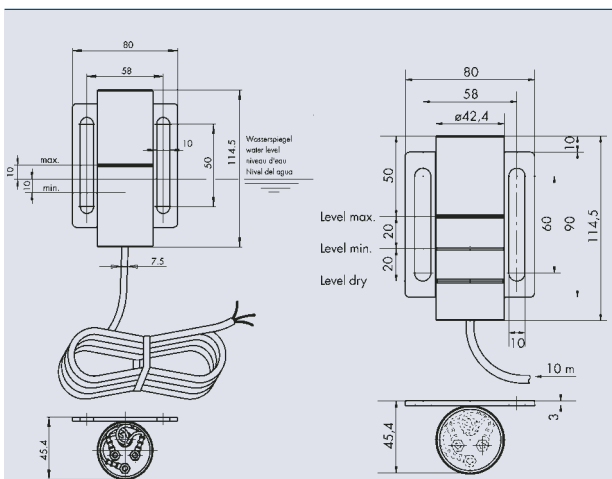


	Fresh Water	Pool Water	Sea Water	220-240 V	400 V	110-120 V	50 Hz	60 Hz	12 V AC	24 V DC	DMX	DMX/RDM	Plug and Spray
Water-Level Sensor													
Supplemental electrode													

WATER-LEVEL SENSORS 20-3, 20-4 AND 2000-3/5

OASE water-level sensors ensure reliable control of the water level and thus prevent the pool from overflowing.

The Water-Level Sensor 2000-3/5 is designed for greater level differences of approximately 50 to 2000 mm, such as occur in water reservoirs.

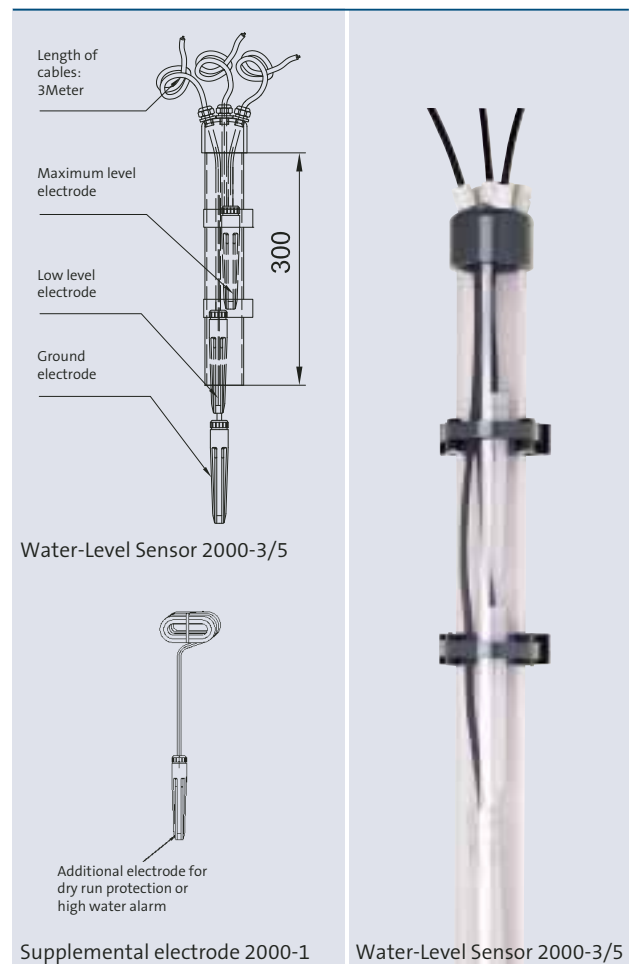


Water-Level Sensor 20-3

Water-Level Sensor 20-4



Water-Level Sensor 20-3



Water-Level Sensor 2000-3/5

Supplemental electrode 2000-1

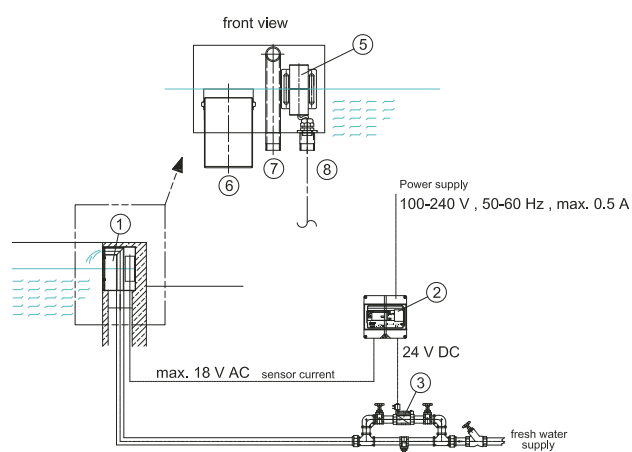
Water-Level Sensor 2000-3/5

The stainless steel housings of the Water-Level Sensor 20-3 and 20-4 also take on the function of the common electrode. The minimum and maximum electrodes are in the housing. The permanently set level difference is 20 mm. In addition the 20-4 has a dry-run protection electrode.

It can be retrofitted with a dry run protection electrode. The electrodes can be adjusted according to the level differences via the cable length. They give switch on and switch off commands to regulate the water level or to protect the pump technology (Supplemental electrode 2000-1).

Product characteristics at a glance

- For automatic infeed and top-up feed of freshwater if the water level drops
- With dry-run protection and alarm function
- Compensates different water levels
- Robust and reliable technology
- Safe operation



- ⊙ 51120 Overfl. wall-inst. comb. armature 100 E
- ⊙ 51554 Electronic water level control 1
- ⊙ 51557 Solenoid valve 1" 24 V
- ⊙ fresh water supply
- ⊙ 51559 Water level sensor WSS 20-3
- ⊙ overflow pipe
- ⊙ fresh water inlet in fountain pool
- ⊙ protective pipe for water level sensor cable

Accessories (must be ordered separately)

Electronic water level control 1 (see page 132)	51554
Electronic water level control 2 (see page 132)	55846
Solenoid valve ½ 24 V (see page 132)	51556
Solenoid valve 1 24 V (see page 132)	51557

		Water-Level Sensor 20-3	Water-Level Sensor 20-4
Dimensions (L x W x H)	[mm]	115 x 80 x 46	115 x 80 x 46
Housing		stainless steel	stainless steel
Protection class		IP 68	IP 68
Electrodes		3	4
Common		1	1
Minimum		1	1
Maximum		1	1
Dry-run		-	1
Level difference	[mm]	20	20
Cable length	[m]	10.0	10.0
Weight	[kg]	2.2	2.3
Order no.		51559	53918

		Water-Level Sensor 2000-3/5	Supplemental electrode 2000 -1
Dimensions (L x W x H)	[mm]	315 x 135 x 150	150 x 125 x 75
Housing		plastic	plastic
Protection class		IP 68	IP 68
Electrodes		3	1
Common		1	-
Minimum		1	-
Maximum		1	-
Dry-run		-	1
Level difference	[mm]	max. 2500	max. 2500
Cable length	[m]	3.0	3.0
Weight	[kg]	2.5	0.3
Order no.		55845	55843



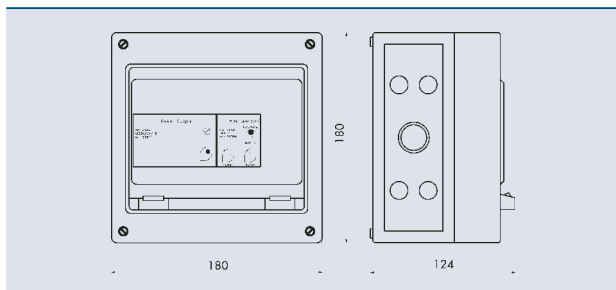
	220-240 V	400 V	110-120 V	50 Hz	60 Hz	12 V AC	24 V DC
Wind-dependent fountain control							
Anemometer							

WIND-DEPENDENT FOUNTAIN CONTROL AND ANEMOMETER

During stormy weather, fountains often have an inharmonious effect and normal fountain operation will get the surrounding area wet. Wind-level fountain controls can reduce the fountain height, or completely switch the system off, depending on weather conditions.

Product characteristics at a glance

- Wind-dependent switch-off in 3 stages
- Saves water and power costs
- Weather-dependent harmonious water pattern
- No irritated pedestrians
- Easy to install



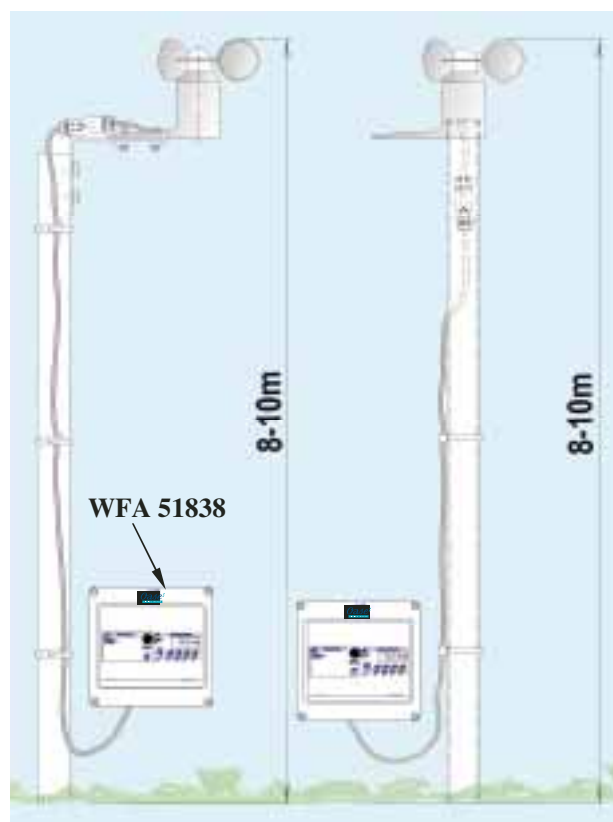
Wind-dependent fountain control 3K



Anemometer

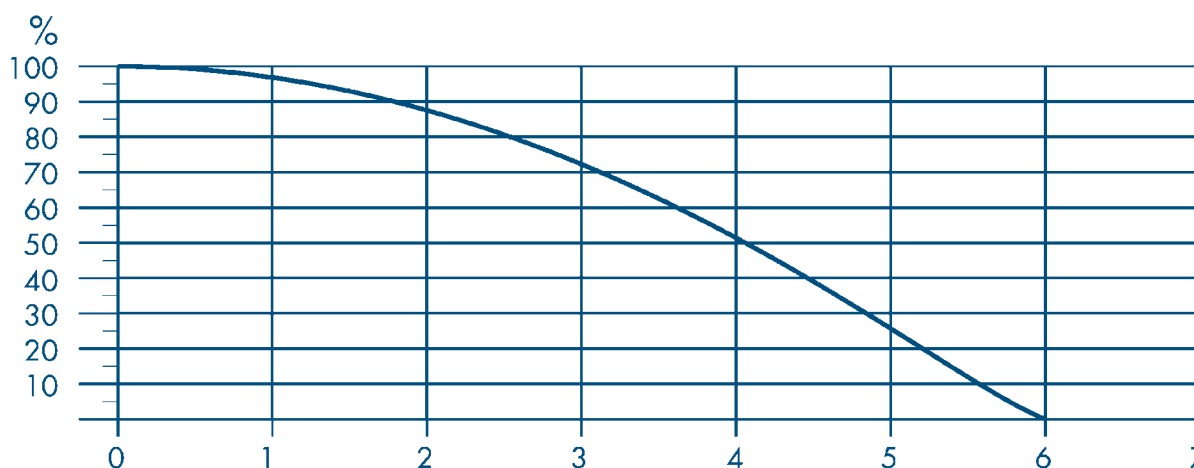
The Wind-dependent fountain control 3K control device directly switches off the pump at a certain preset wind level. If multiple pumps are operated that feed one fountain, they can be switched off one after the other. Or two bypass valves are opened depending on the wind and the pump is switched off only in the third step.

The control device is usually placed next to the control cabinet of the fountain system. The control cables of the pumps are routed out of the control cabinet and connected. Wind conditions on the anemometer and on the fountains should be identical if possible, consequently the anemometer should be slightly elevated and mounted on a mast or a roof in the vicinity of the fountain. The pulse lines of the anemometer should be shielded and routed to the control device via the shortest path possible.



Cable: starting from 20m cable length, please use screened cable

Possible fountain heights in %



Wind forces from 0 – 6 according to the Beaufort wind force scale

	Wind-dependent fountain control 3K	Anemometer K
Dimensions (L xW xH)	[mm] 180 x 180 x 124	145 x 104 x 93
Housing	plastic	plastic
Protection class	IP 54	IP 33
Voltage	[V / Hz] 230 / 50	24 V / DC
Switch/button	5	–
Indicator light	1	–
Control lines	3	–
Contact load	[A] 5	–
Weight	[kg] 2.2	0.8
Order no.	51838	53913



	Fresh Water	Pool Water	Sea Water	220-240 V	400 V	110-120 V	50 Hz	60 Hz	12 V AC	24 V DC	DMX	DMX/RDM	Plug and Spray
Command Center	✓	✓	✓	✓	✓	✓	✓	✓	✓	✓	✓	✓	✓

COMMAND CENTER 2 HP AND 5 HP 3-PHASE

OASE control panels are designed to power and control the 60Hz versions of MIDI II (2 HP) and MAXI II (5HP) floats.

Manufactured according to the NEC guidelines for protection and safety, the standard panels include:

- GFCI 5mA protection
- Safety circuit breakers to protect individual components in the event of overload and short-circuit
- Motor circuit breakers to protect the motor in the event of overload or phase failure

Product characteristics at a glance

- Prewired and ready to connect
- Compact IP66 NEMA 4 Enclosure
- Equipped with 2 channel timers for automatic switching of lights and pump



Command Center 2 HP / 5 HP / 3-phase



POWER

COMMAND CENTER



Command Center		2HP	5HP/3-phase
Dimensions (L x W x H)	[inch]	8.27 x 23.63 x 23.63	8.27 x 23.63 x 14.96
Protection class		IP66, NEMA 4	IP66, NEMA 4
Connection Voltage	[V/AC]	115	115/230
Frequency	[Hz]	60	60
Fault current GFCI	[mA]	5	5
Ambient temperature	[°C/°F]	0-40/32-104	0-40/32-104
Air humidity	[%]	Relative Humidity 10-95, not condensed	
Channel assignment, timer		Channel 1: pump motor, Channel 2: lighting system	
Breaking capacity	[V/AC;A]	115; 13	115; 13
Weight	[kg]	29	18.6
Order no.		50500	50502



WATER QUALITY

THE SAME PRINCIPLE APPLIES FOR LARGE BODIES OF WATER:
TRUE BEAUTY COMES FROM WITHIN AND MUST BE CULTIVATED!

Many factors determine the quality of a body of water. Fish and waterfowl introduce nutrients, and falling leaves in autumn, as well as blossoms in spring increase the availability of nutrients. The results are algae growth and formation of sludge that silts up the body of water. OASE water quality products offer a wide range of options; the regenerative powers of the body of water are reinforced and accumulating nutrients are broken down biologically. Such artificial lakes and ponds enjoy sustainable clarity and create a habitat where not only plants and fish thrive – due to innovative OASE products!

Our selection table on the following page helps you to select the right OASE products for the size of your body of water, and it also shows the space that may be required for the appropriate installation. Contact us with any questions, we would be pleased to advise you and to prepare a non-binding quotation.

New in stock:

- OASE ProfiClear Premium page 158
- OASE Wall Skimmer page 164

• Configuration chart	page 142
• Aerators	page 144
• UVC Clarifiers	page 148
• Flow through filters	page 150
• Modular filters	page 152
• Crystal quartz sand filter	page 162
• »Clear Fountain System«	page 166
• Water treatment	page 167
• »Clear Lake System«	page 168
• Surface skimmers	page 170
• Water quality	page 172



CONFIGURATION CHART

	Lake	Lake	Lake	Lake
Active system	Improved water values through aeration	Silt removal	Surface cleaning	ProfiClear Module Filter
Size in m³ ≤ 100	1x Aqua Air 250 1x BioKick CWS	1x SediFree	1x Skimmer 250	1x ProfiSkim 100, 1x M1, 1x AquaMax Expert 1x ProfiClear Premium Drum filter 1x ProfiClear Premium Moving Bed module 1x ProfiClear Premium Individual module 2x Bitron Gravity, 15x Phosless
Space requirements [cm]				max. 150 x 400
Size in m³ ≤ 150	1x Aqua Air 250 2x BioKick CWS	2x SediFree	1x Skimmer 250	1x ProfiSkim 100, 1x M1, 1x AquaMax Expert 1x ProfiClear Premium Drum filter 2x ProfiClear Premium Moving Bed module 1x ProfiClear Premium Individual module 2x Bitron Gravity, 15x Phosless
Space requirements [cm]				max. 150 x 500
Size in m³ ≤ 200	1x Aqua Air 250 2x BioKick CWS	2x SediFree	1x Skimmer 250	2x ProfiSkim 100, 1x M1, 2x AquaMax Expert 2x ProfiClear Premium Drum filter 2x ProfiClear Premium Moving Bed module 2x ProfiClear Premium Individual module 4x Bitron Gravity, 15x Phosless
Space requirements [cm]				max. 200 x 400
Size in m³ ≤ 300	2x Aqua Air 250 3x BioKick CWS	3x SediFree	2x Skimmer 250	3x ProfiSkim 100, 2x M1, 3x AquaMax Expert 3x ProfiClear Premium Drum filter 3x ProfiClear Premium Moving Bed module 3x ProfiClear Premium Individual module 6x Bitron Gravity, 15x Phosless
Space requirements [cm]				max. 300 x 400
Size in m³ ≤ 500	2x Aqua Air 250 5x BioKick CWS	5x SediFree	2x Skimmer 250	4x ProfiSkim 100, 2x M1, 4x AquaMax Expert 4x ProfiClear Premium Drum filter 4x ProfiClear Premium Moving Bed module 4x ProfiClear Premium Individual module 8x Bitron Gravity, 15x Phosless
Space requirements [cm]				max. 400 x 400
Size in m³ ≤ 750	2x Aqua Air 250 7x BioKick CWS	7x SediFree	3x Skimmer 250	6x ProfiSkim 100, 3x M1, 6x AquaMax Expert 6x ProfiClear Premium Drum filter 6x ProfiClear Premium Moving Bed module 6x ProfiClear Premium Individual module 12x Bitron Gravity, 30x Phosless
Space requirements [cm]				max. 600 x 400
Size in m³ ≤ 1.000	1x Air Flo 1.5 kW 9x BioKick CWS	9x SediFree	4x Skimmer 250	8x ProfiSkim 100, 4x M1, 8x AquaMax Expert 8x ProfiClear Premium Drum filter 8x ProfiClear Premium Moving Bed module 8x ProfiClear Premium Individual module 16x Bitron Gravity, 30x Phosless
Space requirements [cm]				max. 800 x 400
Size in m³ ≤ 2.000	1x Air Flo 1.5 kW 18x BioKick CWS	18x SediFree	8x Skimmer 250	On request
Space requirements [cm]				
Size in m³ ≤ 5.000	1x Air Flo 4.0 kW, 1x Air Flo 1.5 kW, 45x BioKick CWS	On request	On request	On request
Space requirements [cm]				
Size in m³ ≤ 10.000	2x Air Flo 4.0 kW 90x BioKick CWS	On request	On request	On request
Space requirements [cm]				
Size in m³ ≤ 15.000	3x Air Flo 4.0 kW 135x BioKick CWS	On request	On request	On request
Space requirements [cm]				
Size in m³ ≤ 20.000	4x Air Flo 4.0 kW 180x BioKick CWS	On request	On request	On request
Space requirements [cm]				

Note on runtimes: For lake configurations all of the systems should be operated continuously 24 h a day during the vegetation period. Pool configurations should be operated at least 12 out of every 24 h. BioKick CWS prices on request.

* Assumption: Module filter system in pumped setup

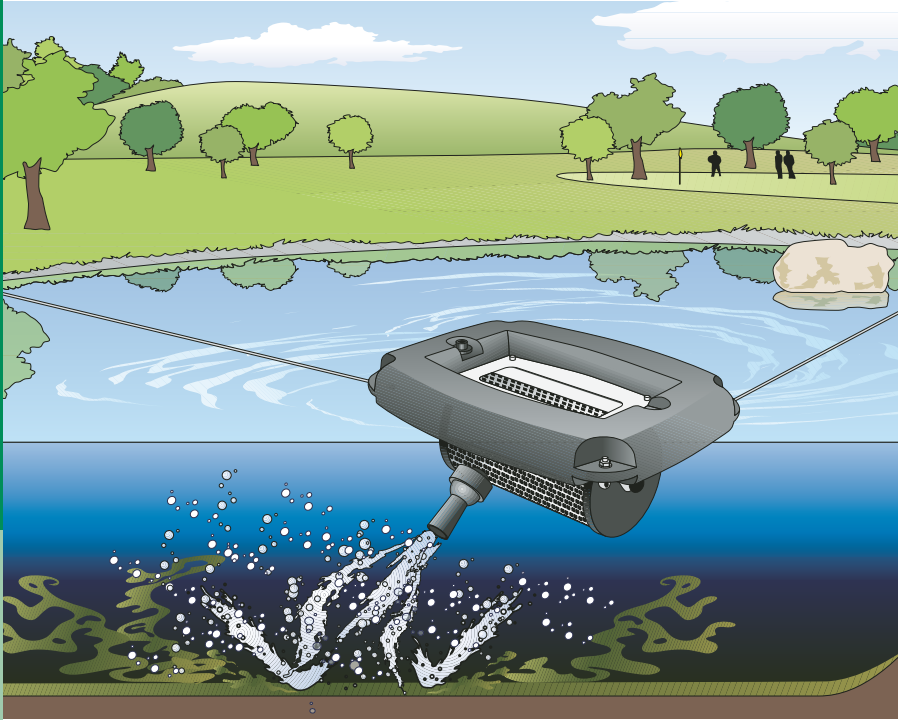
Abbreviations:

M1 = ProfiClear Classic pump chamber
M2 = ProfiClear Classic coarse debris extractor
M3 = ProfiClear Classic filter foam module
M5 = ProfiClear Classic phosphate binder module

Clear Fountain System = dosing station
PHW = active ingredient: Sulphuric acid **SF** = suction filter basket
ADR = active ingredient: Hydrogen peroxide **D** = sand filter
ASS = active ingredient: Ammonium chloride **AFM** = activated filter medium

	Lake	Pool	Pool
Active system	Clear Lake System	Clear Fountain System	Clear Lake System
Size in m³ ≤ 100	1x Clear Lake 250 1x D 800, 2x SF 200/250/25E, 13x Quartz sand (25 kg), 1x Control panel	1x Clear Fountain System, 1x PHW 30, 1x ADR 90, 1x ASS 100, 2x SF 200/250/25E, 2x D 800, 26x AFM (25 kg), 1x Control panel	1x Clear Lake 250, 2x SF 200/250/25E, 1x D 800, 13x AFM (25 kg), 1x Control panel
Space requirements [cm]	max. 100 x 250	max. 100 x 350	max. 100 x 300
Size in m³ ≤ 150	1x Clear Lake 250, 2x SF 200/250/25E, 1x D 800, 13x Quartz sand (25 kg), 1x Control panel	1x Clear Fountain System, 1x PHW 30, 1x ADR 90, 1x ASS 100, 3x SF 200/250/25E, 3x D 800, 39x AFM (25 kg), 1x Control panel	1x Clear Lake 250, 3x SF 200/250/25E, 2x D 800, 26x AFM (25 kg), 1x Control panel
Space requirements [cm]	max. 100 x 250	max. 100 x 450	max. 100 x 400
Size in m³ ≤ 200	1x Clear Lake 250, 2x SF 200/250/25E, 1x D 800, 13x Quartz sand (25 kg), 1x Control panel	1x Clear Fountain System, 1x PHW 30, 1x ADR 90, 1x ASS 100, 4x SF 200/250/25E, 4x D 800, 52x AFM (25 kg), 1x Control panel	1x Clear Lake 250, 3x SF 200/250/25E, 2x D 800, 26x AFM (25 kg), 1x Control panel
Space requirements [cm]	max. 100 x 250	max. 100 x 550	max. 100 x 400
Size in m³ ≤ 300	1x Clear Lake 250, 3x SF 200/250/25E, 2x D 800, 26x Quartz sand (25 kg), 1x Control panel	1x Clear Fountain System, 1x PHW 30, 1x ADR 90, 1x ASS 100, 6x SF 200/250/25E, 6x D 800, 78x AFM (25 kg), 1x Control panel	1x Clear Lake 250, 4x SF 200/250/25E, 3x D 800, 39x AFM (25 kg), 1x Control panel
Space requirements [cm]	max. 100 x 350	max. 250 x 450	max. 100 x 500
Size in m³ ≤ 500	1x Clear Lake 500, 3x SF 200/250/25E, 2x D 800, 26x Quartz sand (25 kg), 1x Control panel	1x Clear Fountain System, 1x PHW 30, 1x ADR 90, 1x ASS 100, 10x SF 200/250/25E, 10x D 800, 130x AFM (25 kg), 1x Control panel	1x Clear Lake 500, 5x SF 200/250/25E, 4x D 800, 52x AFM (25 kg), 1x Control panel
Space requirements [cm]	max. 100 x 350	max. 250 x 550	max. 100 x 600
Size in m³ ≤ 750	1x Clear Lake 500, 4x SF 200/250/25E, 3x D 800, 39x Quartz sand (25 kg), 1x Control panel	1x Clear Fountain System, 1x PHW 30, 1x ADR 90, 1x ASS 100, 15x SF 200/250/25E, 15x D 800, 195x AFM (25 kg), 1x Control panel	1x Clear Lake 500, 7x SF 200/250/25E, 6x D 800, 78x AFM (25 kg), 1x Control panel
Space requirements [cm]	max. 100 x 450	max. 250 x 750	max. 250 x 450
Size in m³ ≤ 1.000	1x Clear Lake 500, 1x Clear Lake 250, 6x SF 200/250/25E, 4x D 800, 52x Quartz sand (25 kg), 1x Control panel	1x Clear Fountain System, 1x PHW 30, 1x ADR 90, 1x ASS 100, 20x SF 200/250/25E, 20x D 800, 260x AFM (25 kg), 1x Control panel	2x Clear Lake 500, 9x SF 200/250/25E, 8x D 800, 104x AFM (25 kg), 1x Control panel, 1x Skimmer 250
Space requirements [cm]	max. 100 x 550	max. 250 x 1200	max. 250 x 450
Size in m³ ≤ 2.000	2x Clear Lake 500, 8x SF 200/250/25E, 6x D 800, 78x Quartz sand (25 kg), 1x Control panel	On request	On request
Space requirements [cm]	max. 250 x 550		
Size in m³ ≤ 5.000	1x Clear Lake 5000, 11x SF 200/250/25E, 10x D 800, 130x Quartz sand (25 kg), 1x Control panel	On request	On request
Space requirements [cm]	max. 250 x 750		
Size in m³ ≤ 10.000	1x Clear Lake 20000, 11x SF 200/250/25E, 10x D 800, 130x Quartz sand (25 kg), 1x Control panel, 1x Air Flo 2000	On request	On request
Space requirements [cm]	max. 250 x 850		
Size in m³ ≤ 15.000	1x Clear Lake 20000, 11x SF 200/250/25E, 10x D 800, 130x Quartz sand (25 kg), 1x Control panel, 2x Air Flo 2000	On request	On request
Space requirements [cm]	max. 250 x 850		
Size in m³ ≤ 20.000	1x Clear Lake 20000, 11x SF 200/250/25E, 10x D 800, 130x Quartz sand (25 kg), 1x Control panel, 3x Air Flo 2000	On request	On request
Space requirements [cm]	max. 250 x 850		

Comment on space requirements: Net surface requirement, incl. distance between the filter units, plus walk-on surface.



	Fresh Water	Pool Water	Sea Water	220-240 V	400 V	110-120 V	50 Hz	60 Hz
AquaAir 250								
AquaAir 250 / A								

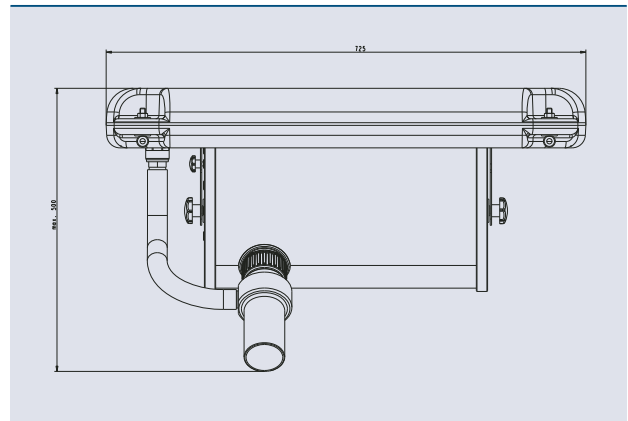
AQUAAIR 250 / AQUAAIR 250/A

Oxygen plays a crucial role in breaking down nutrients in water. Many of the problems associated with an artificial lake or pond, such as algae infestation, silt or odour nuisance can be attributed to oxygen deficits. Missing oxygen can be fed into the body of water through specific water movement that introduces air. This stabilises a body of water's biological power of regeneration and results in optimal quality of the artificial lake or pond.

Product characteristics at a glance

- Adjustable injection nozzle for specific application of oxygen
- Depth penetration to 4 metres
- High flow speeds transform any standing body of water into a flowing body of water

Ideal supplements to this product are BioKick CWS and SediFree. Information on each of these products are found on pages 172 and 173.





Injection nozzle
Adjustable injector nozzle for specific oxygen input with supplemental bore for deep ventilation

Drive
Pump drive with venturi nozzle

Stainless steel basket
High-quality design with corrosion-resistant filter basket and suspension

Fastening material
Easy, secure anchoring of the aerator thanks to the fastening material included in the scope of delivery

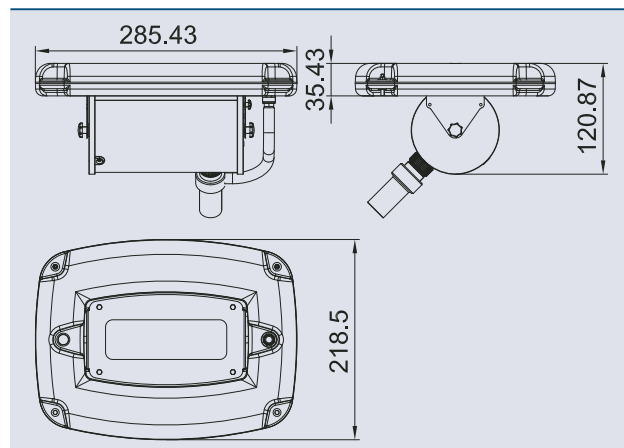
Before:



After:



The Aqua Air 250 is a floating aerator that provides an adequate supply of oxygen for bodies of water up to 250,000 litres. A pump supplies the air/water mixture to the artificial pond or lake via the venturi principle. The high volume flow guarantees air supply in the entire body of water through strong flow movements. Deep zones as well as shallow water zones can be optimally supplied with oxygen through the adjustable angle of the flow injector.



AquaAir		250	AquaAir		250 / A
Dimensions (L x W x H)	[mm]	725 x 555 x 310	Dimensions (L x W x H)	[inch]	29 x 22 x 12
Rated voltage	[V/Hz]	230 / 50	Rated voltage	[V/Hz]	110-120 / 60
Power consumption (Pump)	[W]	650	Power consumption (Pump)	[W/A]	700 / 5.8
Flow rate max.	[l/h]	30000	Flow rate max.	[ghp max]	7000
Air displacement quantity	[l/h]	ca. 8500	Air displacement quantity	[ghp max]	2500
Radiation depth	[m*]	up to 4.0	Radiation depth	[ft*]	up to 13
Filter surface intake	[cm²]	ca. 3000	Filter surface intake	[sq.inch]	approx. 465
For bodies of water to max.	[m³]	250	For bodies of water to max.	[gal]	65000
Minimum water depth	[m]	0.5	Minimum water depth	[inch]	20
Cable length	[m]	30.0	Cable length	[ft]	75
Weight	[kg]	28.0	Weight	[lbs]	66
Order no.		57479			57487

* Depends on the jet angle set



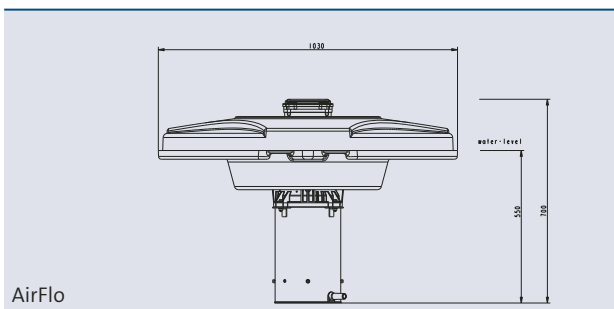
	Fresh Water	Pool Water	Sea Water	220-240 V	400 V	110-120 V	50 Hz	60 Hz	Plug and Spray
AirFlo 1,5 kW									
AirFlo 4 kW									
StrataFlo 2 HP									
StrataFlo 5 HP									

AIRFLO 1,5 kW/4 kW, STRATAFLO 2 2HP/5HP (3-PHASE)

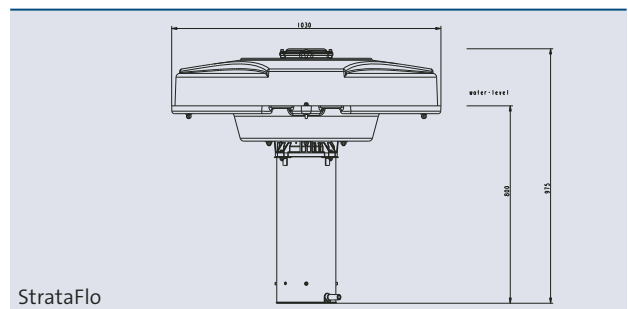
Air Flo sets new standards in the field of lake aeration and decoration: The axial propeller technology ensures impressive and unequalled water flow rates of up to 295,000 l/h – for an optimal supply of oxygen to the lake.

Product characteristics at a glance

- Axial propeller technology for maximum water flow rates
- Voluminous »Trumpet« type water patter
- Easy installation and maintenance through bayonet technology



AirFlo



StrataFlo



AirFlo



StrataFlo



Bayonet technology
for easy mounting.



Fastening material
Easy, secure anchoring of the aerator thanks to the fastening material included in the scope of delivery.



Earthing pin plug + control box
The 230 V version is delivered ready-to-operate with control box and earthing pin plug.
CEE-connector + protection switch
The 400 V version comes with a ready-to-connect, 5-pole CEE connector and motor protection switch.



Illumination Set MIDI / MAXI / AirFlo LED/01

Illumination Set MIDI / MAXI / AirFlo LED/01

For an impressive floating fountain even at night – as easy as our proven AirFlo system, we offer you a LED version of our illumination kit with three spotlights each. A unique connection system makes it very easy to install the spotlights on the float. The UST 150 transformer is mounted easily to the pump basket directly.

Set of 3 LED

- 3 x LunAqua 10 LED, each with a 10 W LED bulb
- 3 x Light mounting brackets
- 3 x Special stainless steel holder for fastening the transformer
- 1 x Safety transformer 150 VA, 230 V-12 V, 50 Hz incl. 50.0 + 2.0 m cable

Order no. 50479

Powerdata of the different water patterns	AirFlo 1.5 kW / 230V	AirFlo 4.0 kW / 400V		StrataFlo 2 HP	StrataFlo 5 HP (3-Phase)
Water pattern Fountain H x W* [m]	0.8 x 3.5	1.5 x 6.0	[ft]	3 x 12	5 x 20
Flow rate [l/h]	165000	295000	[gpm]	700	1250
Lake size					
Minimum lake size [m ²]	100	500	[sq.ft]	108	538
Opt. effect for lakes up to [m ²]	5000	15000	[sq.ft]	53800	16200
Suction depth max. [m]	4.0	5.0	[ft]	13.1	16.4

	AirFlo 1.5 kW / 230V	AirFlo 4.0 kW / 400V		StrataFlo 2 HP	StrataFlo 5 HP (3-Phase)
Dimensions (ø x H) [mm]	700 x 1150	950 x 1150	[inch]	46 x 28	46 x 38
Nominal voltage [V/Hz]	230/50	400/50	[V/Hz]	230/60	200-230/60
Pump power [KW]	1.5	4.0	[W/A]	2749/13.2	3738/19.8
Nominal current [A]	10.2	9.6	[W/A]	2749/13.2	3738/19.8
Minimum water depth [m]	0.90	1.15	[ft]	3	4
Cable length [m]	50.0 + 2.0	50.0 + 2.0	[ft]	160	160
Weight [kg]	ca. 40.0	ca. 60.0	[lbs]	88	132
Order no.	50183	50185		50272	50274



	Fresh Water	Pool Water	Sea Water	220-240 V	400 V	110-120 V	50 Hz	60 Hz
Bitron 110 C								
Bitron 55 W								

BITRON 110 C

The Bitron 110 C effectively reduces algae and the number of pathogens and bacteria in the body of water and thus consistently ensures clear and healthy water.

Product characteristics at a glance

- Well thought-out bypass technology for custom water flow adjustment on the UVC device enables optimum adaptation to the connected filtration pump
- Automatic and permanent bulb cleaning function sustainably ensures full efficiency of the UVC light source
- Integrated magnets protect the pond technology that is implemented (including pump and filter) from aggressive calcium deposits.
- Indicator light for visual monitoring of device function



Bitron 110 C

BITRON GRAVITY 55 W

Bitron Gravity 55 W, highly-efficient – perfect for gravity-fed filter systems

Product characteristics at a glance

- Suitable for ponds to 70 m³
- Extremely effective elimination of suspended algae and reduction in pathogenic bacteria levels (at 12.5 m³/h) – similar to an immersion UVC
- 100 %, VDE-certified safety; does not cause eye injuries
- Particularly energy efficient thanks to electronic ballast
- Unusually effective sterilisation, thanks to long water contact time in the Bitron
- Flow-optimised reactor design ensures direct and virtually loss-free UV radiation
- High-quality V4A stainless steel housing for stability and good reflection rates
- Inlet and outlet connection in DN 100



Bitron Gravity 55 W



Bitron 110 C

Clever bypass system combines high flow rates with optimal duration of radiation
 Permanent self-cleaning thanks to patented cleaning rotor
 Up to 30 % energy savings through electronic ballast

Recommendation

Do not forget to replace UVC bulbs regularly, ideally in the spring!

Accessories (must be ordered separately)



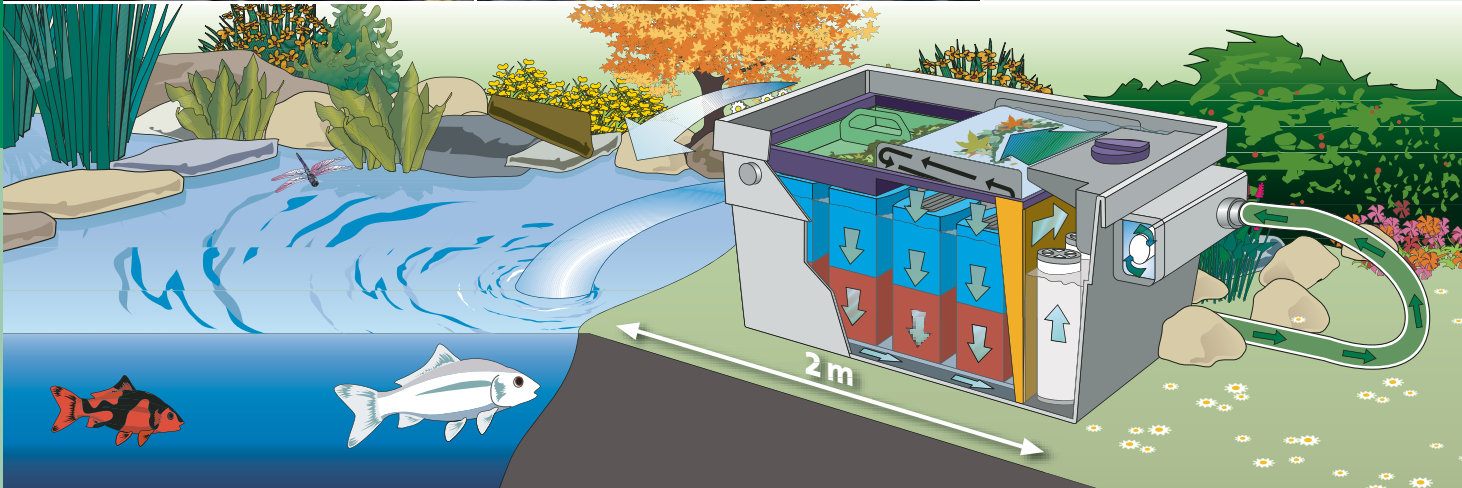
Replacement bulb for Bitron Gravity 55 W and Bitron 110 C	
1 bulb is required for complete configuration of Bitron Gravity 55 W	
2 bulbs are required for complete configuration of Bitron 110 C	
Order no.	56636

Bitron 110 C		
Dimensions (L x W x H)	[mm]	731 x 216 x 201
Rated voltage	[V/Hz]	220-240/50-60
Inlet stepped hose adapter	[inch]	¾ to 2
Outlet (2x)	[inch]	1 to 1 ½
Visual function check		Indicator light
Connection to		ProfiClear module filter/BioTec ScreenMatic 36
Operating pressure max.	[bar]	1.0
Suitable pump capacity max.	[l/h]	40000
Power consumption	[W]	110
Flow-through UVC, without bypass	[l/h]	12000
Cable length	[m]	5.0
Order no.		56902

Bitron Gravity 55 W

Unusually powerful, efficient UVC clarifier
 Extremely effective sterilisation thanks to well thought-out flow optimisation
 Extremely easy and flexible installation before or after the filter system

Bitron Gravity 55 W		
Dimensions (L x W x H)	[mm]	700 x 260 x 160
Rated voltage	[V/Hz]	220 – 240 / 50/60
Power consumption	[W]	55
Power cable length	[m]	5.00
Net weight	[kg]	7.10
Guarantee* ^G	[Years]	2
UVC power	[W]	55
Number of inlets	[Unit]	1
Connections, inlet		DN 100
Number of outlets	[Unit]	1
Connections, outlet		DN 100
Max. operating pressure	[bar]	1.00
Pump capacity, max.	[l/h]	30000
Rec. flow rate (gravitation)	[l/h]	12500
Pump capacity, min.	[l/h]	5000
Suitable for ponds to max.	[m³]	100.0
Suitable for ponds with fish stock	[m³]	50.0
Suitable for ponds with koi*	[m³]	20.0
Material		Plastic / stainless steel
Connection to		ProfiClear, AquaMax Gravity Eco
Type of use		Pump fed system, gravity-fed system
Other		Vis. function check
Order no.		50946



BioTec ScreenMatic 36	Fresh Water	Pool Water	Sea Water	220-240 V	400 V	110-120 V	50 Hz	60 Hz

BIO TEC SCREENMATIC 36

The biological-mechanical filtration function in tandem with outstanding technology for extracting coarse pollutants guarantee clear and healthy water with low maintenance.

Product characteristics at a glance

- Effective, mechanical and safe extraction of coarse pollutants, and thus significantly longer service life

- Collection tanks for simple removal of extracted coarse pollutants
- Extractor sieve is cleaned automatically
- Optimum growth of filter biology thanks to different filter media with extensive settlement surfaces



BioTec ScreenMatic 36



BioTec ScreenMatic 36



Setup possibility

Free access to the sponges through 90° setup possibility for easy and fast maintenance.



Water distributor with flow regulator

Adaptation of the ScreenMatic sieve to different pump capacities for optimal function.



Electric motor

For the electric drive of the ScreenMatic preliminary filter in 30 minute intervals.



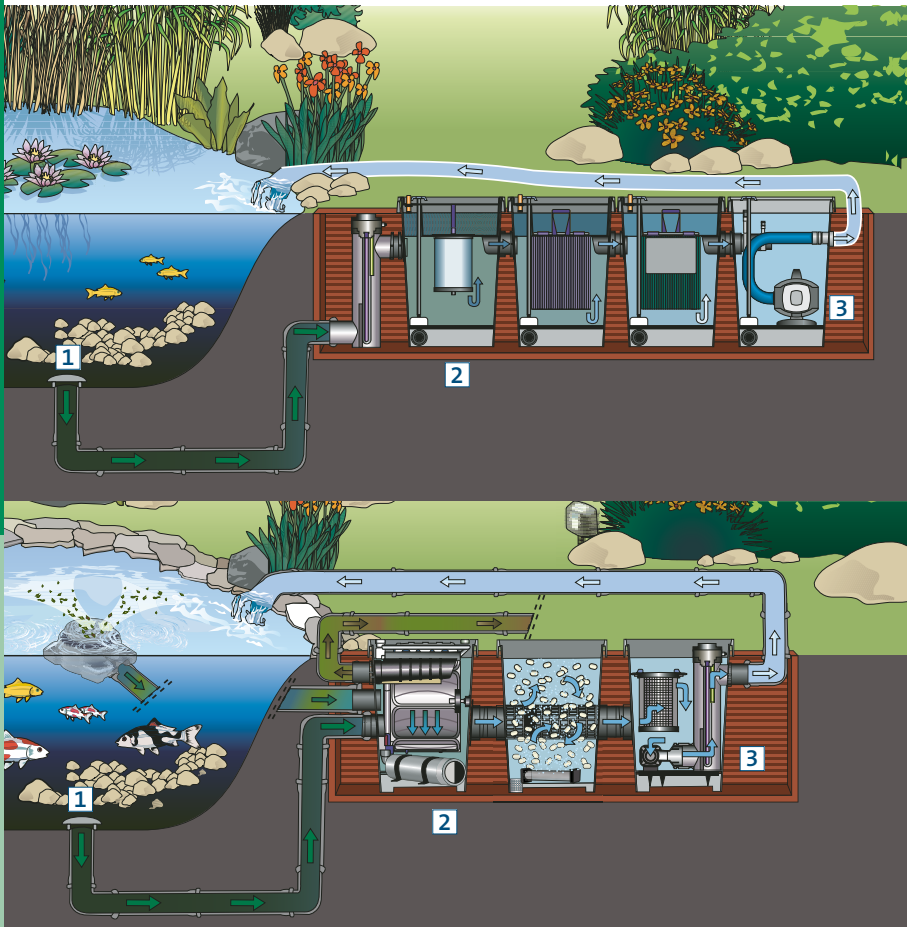
Triple separator

Frees the ScreenMatic from accumulated debris in three stages.

Accessories (must be ordered separately)

 <p>Spiral hoses, green with black -spirals (pressure: 6 bar)</p> <ul style="list-style-type: none"> • Frost-resistant and UV-resistant • Good sinking characteristics • Temperature-resistant to + 60 °C • Heavy-metal free – guaranteed 		
Spiral hoses		
1 1/2"	25 m length	Order no. 52981
2"	20 m length	Order no. 36500
Replacement filter sponges		
for BioTec 36 ScreenMatic	red	Order no. 56736
for BioTec 36 ScreenMatic	blue	Order no. 56737

BioTec ScreenMatic 36		
Dimensions (L x W x H)	[mm]	1200 x 800 x 760
Flow rate max.	[l/h]	23000
Inlet stepped hose adapter	[inch]	2 x 1 to 1 1/2
Outlet	[mm]	100
Number of blue filter sponges		18
Number of red filter sponges		18
Special granulate	[kg]	18.0
Coarse pollutant extraction	[µm]	300
Suitable for ponds with fish stock	[m³]	70
Suitable for ponds to max.	[m³]	140
Weight	[kg]	90
Order no.		57129



Schematic diagram: Module filter ProfiClear installed as »gravity-fed filter system«

Filter systems for clear water dreams

The ProfiClear modular filter systems can be operated in two different ways depending on the local conditions: In accordance with the **gravity-fed principle** or as a **pump-fed system**.

Regardless of the variant for which you decide – **ProfiClear modular filters offer variable implementation** and are based on decades of OASE experience in the field of pond and system technology. This means mature technology of the highest quality.

PROFICLEAR – GRAVITY-FED PRINCIPLE

With the gravity-fed system the filter is recessed into the ground and made level to the water line of the pond. Polluted pond water reaches the first filter module via the bottom drain or a liner transition. Because the pump is not positioned at the beginning of the system, the coarse debris

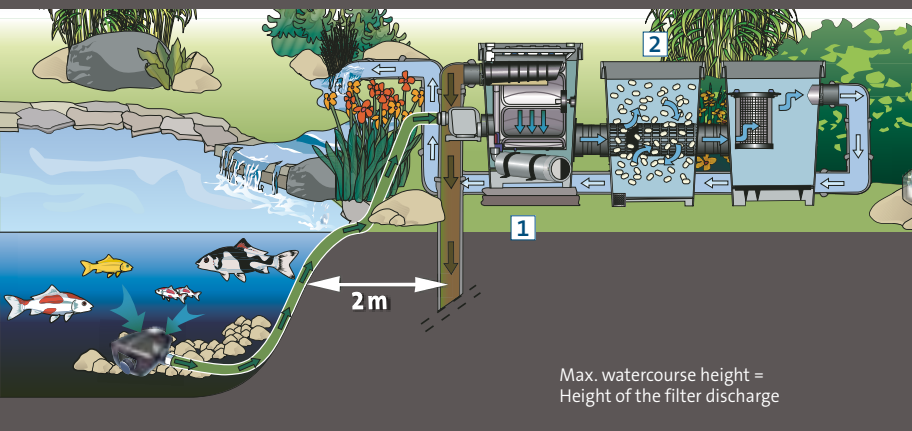
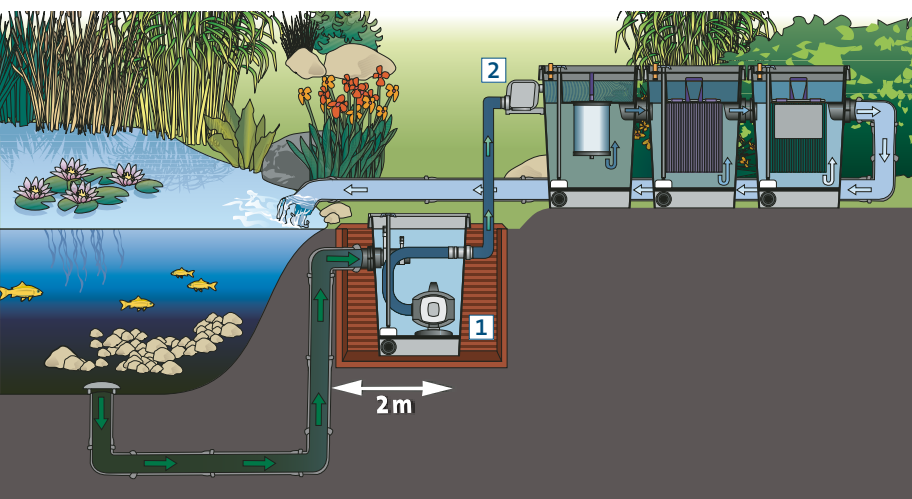


extractor can remove suspended matter in the water very effectively.

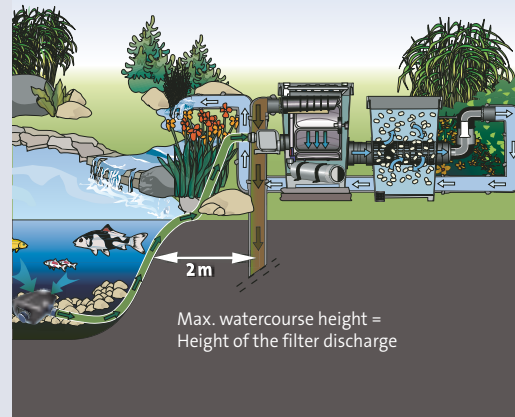
The pump is in the pump chamber at the back of the system and conveys the cleaned water back into the pond. Since there are no significant height differentials to overcome, energy-efficient AquaMax Gravity Eco pumps can be used.

System advantages at a glance:

- Effective removal of suspended matter through exploitation of the gravity-fed principle
- Energy-efficient, as there is virtually no height differential and only minimal friction losses occur
- Can be integrated inconspicuously in the water garden
- UVC devices can be installed downstream or even upstream with the new Bitron Gravity
- Optimally matched to OASE AquaMax Eco filter pumps



Schematic diagram: Module filter ProfiClear installed as »pump-fed system«



With the optional discharge adapter you can operate the ProfiClear Premium in pump-fed setup even without the individual chamber.


PROFICLEAR – PUMP-FED PRINCIPLE

With the pump-fed principle the filter system is installed above ground, and thus it is also above the water level of the pond. The polluted pond water is conveyed out of the pond or out of the levelled pump chamber and into the filter system using a pump. The cleaned water flows back via a freely inclined pipeline, watercourse, or waterfall. In this process the source of the watercourse is not higher than the filter discharge.

System advantages at a glance:

- Can be easily retrofitted to existing ponds
- Minimum installation effort
- Easy upstream installation of UVC devices
- Easy to extend the system
- Optimally matched to OASE AquaMax Eco Premium filter pumps

Accessories (must be ordered separately)

		Bottom drain <ul style="list-style-type: none"> • For secure connection of pond and ProfiClear modules • Is flanged or bonded to liner
Bottom drain BD 100		
Diameter	[mm]	380
Guarantee	[years]	3
Pipe connection		DN 100 (inner diameter 110)
Order no.		37143





Schematic diagram: ProfiClear module filters are outstandingly suited for use on swim ponds

Top 3 product characteristics

- Can be individually matched to the size and the conditions of the pond
- Can be modularly extended if the pond changes
- Can be used as a particularly energy-saving gravity-fed system

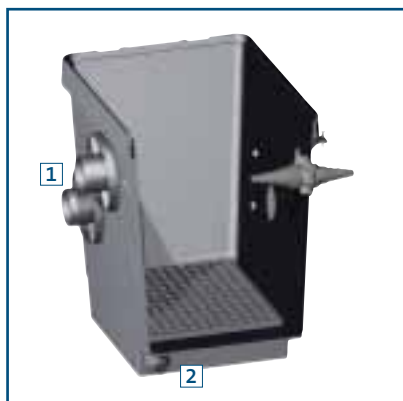
	Fresh Water	Pool Water	Sea Water
ProfiClear Classic			

PROFICLEAR CLASSIC – RELIABLE MODULAR FILTER SYSTEM FOR LARGE BODIES OF WATER

System advantages at a glance:

- Ideal for large ponds and swim ponds
- Modularly extendable filter system for individual adaptation to local conditions
- Individual solutions through the bringing together of different components
- Can be implemented in any size of pond and under any pond conditions
- Can be used as a pump-fed version as well as a particularly energy-saving gravity-fed filter
- Coarse pollutant extraction with automatic cleaning (optional accessory)
- Easy-maintenance cleaning handles and floor drains in each filter chamber
- High-quality and impact resistant GRP and perfect workmanship
- Optimally matched to OASE filter pumps
- Protection against disproportionate algae growth when using the phosphate binder module

PUMP CHAMBER



Whether gravity-fed principle or pump-fed system – the ProfiClear Classic pump chamber ensures the optimal pump position.

- Reduction of pressure losses
- Safe and standard-conformant setup for swim ponds
- Easy maintenance and winter care
- Protection against excessive silt
- Two inlets **1** incl. regulator for individual adjustment of the inflow

- Any sediment in the tank or accumulated pollutants are flushed out via the floor discharge. **2**

COARSE DEBRIS EXTRACTOR



Enables easy mechanical extraction of solids down to 800 µm.

- Incoming water is fed via two large-surface extraction sieves **1** into the next filter chamber
- Pulling the slide valve **2** flushes the debris out via a DN 75 discharge
- Incl. hose coupling for fresh water rinsing
- The extraction sieves can be quickly cleaned with interior and exterior brushes by operating the cleaning handles **3**

- A pollutant indicator **4** signals when maintenance is required
- Automatic and regular cleaning is possible via the ProfiClear Screendrive (optional accessory)

FILTER FOAM MODULE

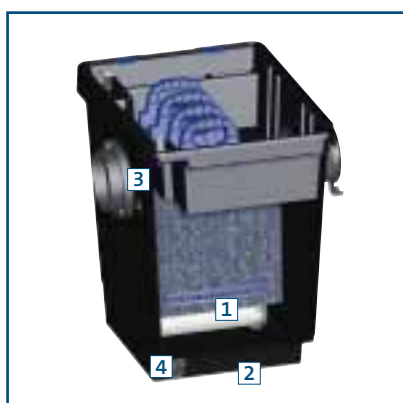


Reliably removes toxins such as ammonium / ammonia or nitrite.

- Water is channelled through the coarse and fine foams **1** that contain the important filter biology
- The oxygen necessary for the nitrification processes is supplied via connections on the housing
- To clean, use the cleaning levers **2** to compress the foams against the intermediate floor

- Pull the slide valve **3** to flush out contaminants via a DN 75 discharge, optionally supported by rinsing via cleaning nozzles
- Incl. hose coupling for fresh water rinsing

PHOSPHATE BINDER MODULE




Helps convert nitrate into gaseous nitrogen (denitrification) and eliminates phosphates.


- A majority of the water volume is channelled past the filter foam **1**. This establishes the low dissolved oxygen content that is so important for the denitrifying bacteria
- The lesser portion of the water volume is channelled through the PhosLess inserts **2** (4 units)
- Binders ensure quick and safe phosphate removal
- Elimination of these nutrients significantly restricts string algae growth

- Virtually maintenance-free because bypass regulation in the foam prevents clogging
- A pollutant level indicator **3** signals when maintenance is required
- Pollutant discharge **4** incl. slide valve
- Incl. hose coupling for fresh water rinsing

SELECTION TABLE PROFICLEAR CLASSIC

Natural ponds & SwimPonds (without fish stock)		40 m ³	60 m ³	80 m ³	100 m ³	120 m ³	160 m ³	200 m ³
		Coarse debris extractor	Unit	1	1	1	1	2*
Filter foam module	Unit	1	1	2	3	3	4	6
Phosphate binder module	Unit	–	1	1	1	1	2	2
Pump chamber	Unit	1	1	1	1	1	1	1
Bitron 72 W	Unit	1	1	–	–	2	–	–
Bitron 110W	Unit	–	–	1	1	–	2	2
Optional: Bitron Gravity	Unit	1	1	2	2	2	3	4
Pump capacity = pond size / x	Unit	8	8	8	8	8	8	8

* Double-row configuration (the filter system must be operated in two filter rows that are separate from each other) see illustration on page 156. This table considers the usual flow losses within the filter system.

With fish stock (up to 1 kg/1000 l)		20 m ³	30 m ³	40 m ³	50 m ³	60 m ³	80 m ³	100 m ³
		Coarse debris extractor	Unit	1	1	1	1	2*
Filter foam module	Unit	1	1	2	3	3	4	6
Phosphate binder module	Unit	–	1	1	1	1	2	2
Pump chamber	Unit	1	1	1	1	1	1	1
Bitron 72 W	Unit	1	1	–	–	2	–	–
Bitron 110W	Unit	–	–	1	1	–	2	2
Optional: Bitron Gravity	Unit	1	1	2	2	2	3	4
Pump capacity = pond size / x	Unit	4	4	4	4	4	4	4

* Double-row configuration (the filter system must be operated in two filter rows that are separate from each other) see illustration on page 156. This table considers the usual flow losses within the filter system.

All references regarding our Filter / UVC combinations for special pond sizes are based on Mid-European climatic conditions. For other regions they could differ due to the water temperature and sun intensity.

Rules of thumb

How to calculate the correct UVC power for your pond

- Ponds without fish stock: 1 W UVC power per m³ pond volume
- Ponds with fish stock: 2 W UVC power per m³ pond volume
- Ponds with koi stock: 4 W UVC power per m³ pond volume

How to calculate the required flow rate of the filter pump

- AquaMax Eco Premium (page 66) / Gravity Eco (page 76) in l/h:
- Ponds without fish stock: Displacement capacity = pond volume (l): 8
- Ponds with fish stock: Displacement capacity = pond volume (l): 4
- Ponds with koi stock: Displacement capacity = pond volume (l): 2

Note: To keep the bacteria count low in the koi pond, the Bitron Gravity should be operated with a max. flow rate of 12.5 m³/h. In regards recirculation, 55 % of the pond volume per hour should be the main objective. These recommendations are already considered in the table above.

Double-row configuration

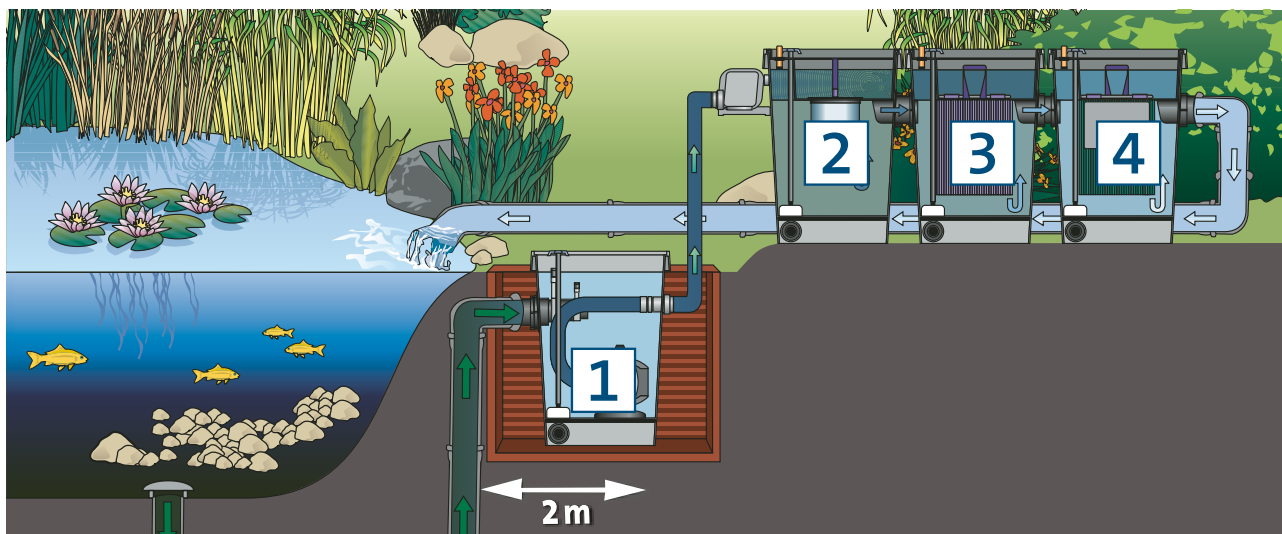
The filter system must be operated in two filter rows that are separate from each other.

Setup – gravity-fed system

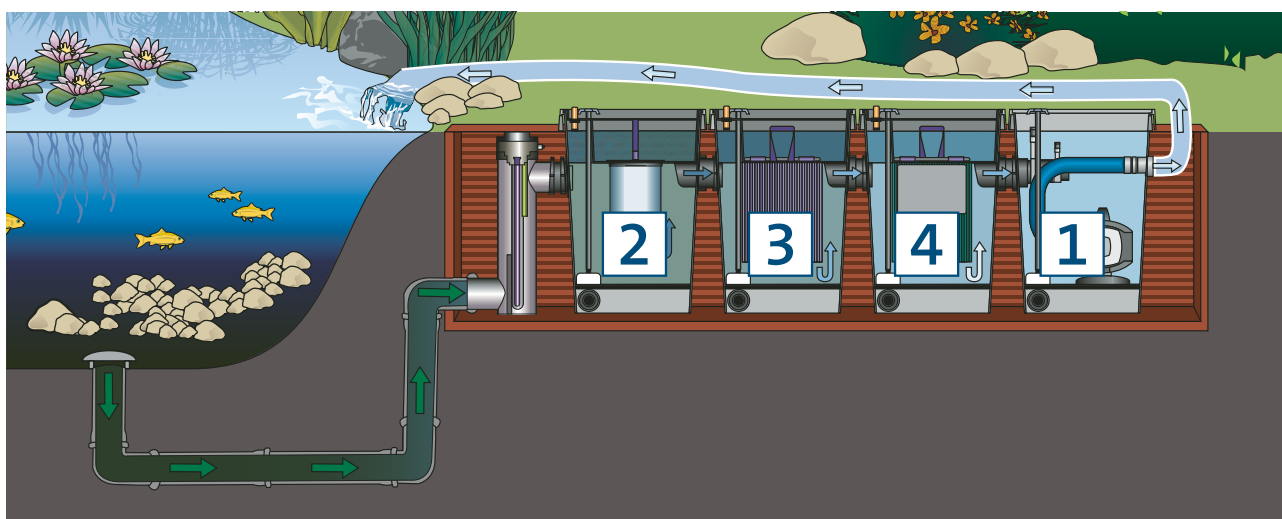


Setup – pump-fed system





MODULE FILTER PROFICLEAR CLASSIC PUMP FED SYSTEM



MODULE FILTER PROFICLEAR CLASSIC GRAVITY-FED SYSTEM

	ProfiClear Classic Pump chamber 1	ProfiClear Classic Coarse debris extractor 2	ProfiClear Classic Filter foam module 3	ProfiClear Classic Phosphate binder module 4
Dimensions (L x W x H) [mm]	800 x 600 x 800	800 x 600 x 800	800 x 600 x 800	800 x 600 x 800
Net weight [kg]	34.4	36.1	40.4	43.4
Guarantee ^G (+ request guarantee) [Years]	2 + 1	2 + 1	2 + 1	2 + 1
Coarse debris extraction [µm]	–	800	–	–
Biological filter surface [m ²]	–	–	90.0	148.0
Special filter granulate [kg]	–	–	–	4.00
Number of blue filter foams [Unit]	–	–	3	–
Number of red filter foams [Unit]	–	–	3	–
Number of black filter foams [Unit]	–	–	–	6
Inlets	2 x DN 100 / DN 150	1 x DN 100 / DN 150 + 2 x 50 mm	1 x DN 100 / DN 150 + 2 x 50 mm	1 x DN 100 / DN 150 + 2 x 50 mm
Outlets	1" – 2" + 1 x 50 mm	1 x DN 100 / DN 150	1 x DN 100 / DN 150	1 x DN 100 / DN 150
Connections, pollutant discharge	DN 70	DN 70	DN 70	DN 70
Pump capacity, max. [l/h]	25000	12500	12500	12500
Rec. flow rate (pumped) [l/h]	–	8000	8000	8000
Rec. flow rate (gravitation) [l/h]	–	6000	6000	6000
Other	Pollutant discharge incl. slide valve	2 sieve elements, pollutant discharge incl. slide valve	Pollutant discharge incl. slide valve	Pollutant discharge incl. slide valve
Order no.	51061	51064	51065	51066



The solution for large koi ponds. Koi pond owners know that what starts as a small pond with a few koi quickly, with increasing passion becomes a larger koi pond installation. With the number of fish and use of the pond, the demands imposed on performance and convenience of the a filter system, naturally increase as well, today no one wants to make any compromises.

The new generation ProfiClear Premium module filter system has been developed jointly in intensive cooperation with leading european koi experts, and with its extremely reliable filter performance, its well thought-out functions, and its unusual price / performance ratio, it sets totally new standards.

It consists of three modules, drum filter module, moving bed module and individual module, the entire system even ensures clear water if the pond is extended by an additional 50m³ or if their is a desire for swimming. The secret is its flexibility; depending on the use of the pond a second Moving Bed module can be connected, and the Individual module can be equipped with additional filter media. In the most uncomplicated way, this increases the overall filter capacity and large bodies of water, such as natural ponds and swim ponds up to 200m³ remain clear.

Discover the versatile functions and convincing advantages of this system; it remains unique in its class!

ProfiClear Premium	Fresh Water	Pool Water	Sea Water	220-240 V	400 V	110-120 V	50 Hz	60 Hz
Individual Module								
Moving Bed Module								
Drum filter pump-fed								
Drum filter gravity-fed system								




www.oase-livingwater.com/proficlearfilm

PROFICLEAR PREMIUM – SOPHISTICATED FILTER SYSTEM FOR KOI PONDS

System advantages at a glance:

- New generation high-end module filter system for koi ponds and other large bodies of water to 200 m³
- Outstanding filter capacity with intelligent control functions
- Intelligent self-cleaning function for unique maintenance-free operation (drum filter module)
- Highly effective decomposition of pollutants and nutrients, thanks to professional filter media and moving bed process (MovingBed module)


Accessories (must be ordered separately)



Bottom drain

- For secure connection of pond and ProfiClear modules
- Is flanged or bonded to liner

Bottom drain BD 100	
Diameter	[mm] 380
Guarantee	[years] 3
Pipe connection	DN 100 (inner diameter 110)
Order no.	37143



ProfiClear Premium sieve

- Accessories for the Drum Filter Module
- At 150 µm, ensures removal of coarser debris and thus reduces water consumption
- Ideal for use on natural ponds or swim ponds

ProfiClear Premium sieve	
Order no.	50947

DRUM FILTER MODULE



Intelligence sets the pace. The intelligent control unit removes coarse debris down 60 µm – i.e. thinner than a hair.

- Maximum filter capacity up to 60 µm and flow-through rates up to 25 m³/h for a crystal clear water
- Automatic self-cleaning offers maximum convenience
- A microcontroller system monitors and controls the main functions, operation is as easy as child's play
- Extensive VDE test certify reliability and safe functions
- Flexible implementation possibilities; can be used as a gravity-fed system, as well as a the pump-fed system
- Stable housing thanks to solid stainless steel elements and dimensionally stable Duroplast
- Easy-to-remove sieve elements and free-wheeling functions for easy access to the drum
- Incomparably quiet through extensive noise damping
- Powerful, high quality pressure pump is integrated for cleaning the drum



Solid stainless steel sieve elements give the drum maximum stability and durability.



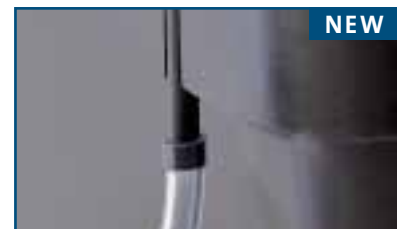
Easy-to-remove sieve elements (also available in 150 µm) and free-wheeling functions enable easy access to the drum.

MOVING BED MODULE



Original Hel-X bio media with optimum media circulation. Original Hel-X biomedica are highly effective at degrading pollutants in the moving bed process.

- Extremely large, protected settlement surface for microorganisms
- Innovative bypass technology for optimal movement of the Hel-X bio-elements even at high flow rates
- Removal of toxins, such as ammonium / ammonia and nitrite
- Aerator bar for optimal oxygen enrichment and circulation already installed
- Advantages of the moving bed process: Permanent, optimal oxygen supply; self-cleaning effect from dead biomass, knowhow from industrial water treatment
- Pollutant discharge with high-quality DN 75 slide valve
- 50 l of Hel-X decomposes approx 300 g of fish food per day (can be extended to 75 l / module)



Integrated aerator can be connected to AquaOxy aerator pumps.



Biological surface for settlement of the microorganisms (left biomedica that has not yet been used, right with settled microorganisms).

INDIVIDUAL MODULE

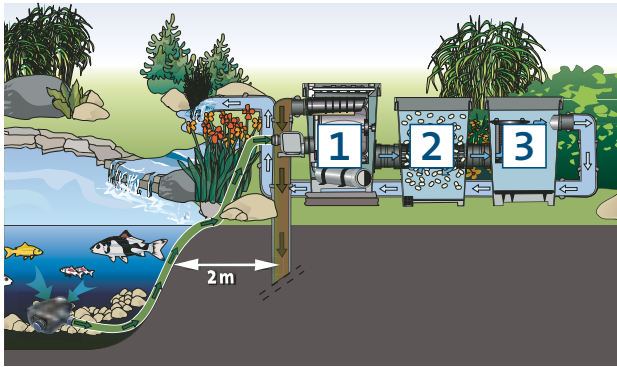


Flexible for maximum effectiveness. The filter system is flexibly aligned to the individual conditions of the body of water.

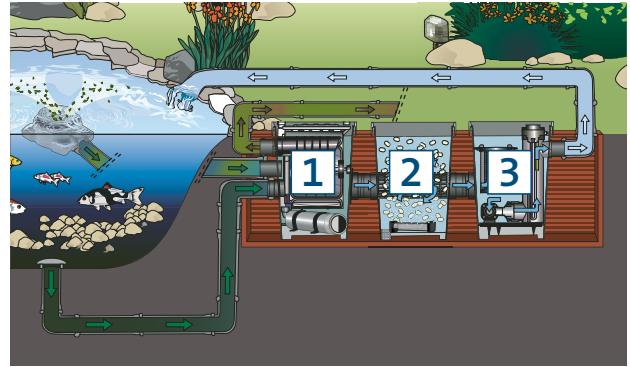
- To increase filter capacity, space-saving integration of: AquaMax Gravity filter pumps and Bitron Gravity UVC clarifiers
- Convenient filling of the 2 individual baskets in the flow area with up to 8 litres fill volume
- Integrated sludge drain with high-quality, finely engineered slide valve



Convenient filling of the 2 individual baskets with up to 8 litres fill volume.



MODULE FILTER PROFICLEAR PREMIUM PUMP FED SYSTEM



MODULE FILTER PROFICLEAR PREMIUM GRAVITY-FED SYSTEM

SELECTION TABLE PROFICLEAR PREMIUM

Natural ponds & SwimPonds (without fish stock)	Unit	Pond Size (m³)							
		40	60	80	100	120	160	200	
Drum filter module	Unit	1	1	1	1	1	1	1	
Moving Bed filter module	Unit	1	1	1	1	2	2	2	
Individual module	Unit	1	1	1	1	1	1	1	
Bitron 72 W (pump-fed system)	Unit	1	1	–	–	2	–	–	
Bitron 110 W (pump-fed system)	Unit	–	–	1	1	–	2	2	
Bitron Gravity (gravity-fed system)	Unit	1	1	1	1	2	2	2	
AquaMax Gravity Eco 10000	Unit	1	1	–	–	2	–	–	
AquaMax Gravity Eco 15000	Unit	–	–	1	1	–	2	–	
AquaMax Gravity Eco 20000	Unit	–	–	–	–	2	–	2	
Pump capacity = pond size / x	Unit	8	8	8	8	8	8	8	

This table takes into account the usual flow losses within the filter system.

With fish stock (up to 1 kg/1000 l)	Unit	Pond Size (m³)							
		20	30	40	50	60	80	100	
Drum filter module	Unit	1	1	1	1	1	1	1	
Moving Bed filter module	Unit	1	1	1	1	2	2	2	
Individual module	Unit	1	1	1	1	1	1	1	
Bitron 72 W (pump-fed system)	Unit	1	1	–	–	2	–	–	
Bitron 110 W (pump-fed system)	Unit	–	–	1	1	–	2	2	
Bitron Gravity (gravity-fed system)	Unit	1	1	1	1	2	2	2	
AquaMax Gravity Eco 10000	Unit	1	1	–	–	2	–	–	
AquaMax Gravity Eco 15000	Unit	–	–	1	1	–	2	–	
AquaMax Gravity Eco 20000	Unit	–	–	–	–	2	–	2	
Pump capacity = pond size / x	Unit	4	4	4	4	4	4	4	

This table takes into account the usual flow losses within the filter system.

Koi ponds (up to 3 kg/1000 l)	Unit	Pond Size (m³)							
		15	20	25	45	60	70	90	
Drum filter module	Unit	1	1	1	1	2*	2*	2*	
Moving Bed filter module	Unit	1	1	1	2	3	3	4	
Individual module	Unit	1	1	1	1	2	2	2	
Bitron 110 W (pump-fed system)	Unit	1	1	2	2	3	4	4	
Bitron Gravity (gravity-fed system)	Unit	1	1	2	2	3	4	4	
AquaMax Gravity Eco 10000	Unit	1	–	2	–	–	4	–	
AquaMax Gravity Eco 15000	Unit	–	1	–	2	3	–	4	
Pump capacity = pond size / x	Unit	1.5	1.5	1.5	1.5	1.5	1.5	1.5	

* Double-row configuration (the filter system must be operated in two filter rows that are separate from each other) see illustration on page 156. This table considers the usual flow losses within the filter system and expert recommendations for sterilisation capacity in koi ponds.

All references regarding our Filter / UVC combinations for special pond sizes are based on Mid-European climatic conditions. For other regions they could differ due to the water temperature and sun intensity.

		ProfiClear Premium Drum filter pump-fed 1	ProfiClear Premium Drum filter gravity-fed system 1
Dimensions (L x W x H)	[mm]	830 x 600 x 820	
Rated voltage	[V/Hz]	230/50	
Power consumption	[W]	5	
Power consumption cleaning	[W]	1090	
Cable length	[m]	2.00 + 5.00	
Net weight	[kg]	80.00	
Control unit		Microcontroller	
Temperature display		Yes	
Coarse debris extraction	[µm]	60	
Number of nozzles / rinse quantity	[l/min]	4 x 2.5	
Flush pump	[bar]	Ebara 6	
Flush automation		Sensor, time interval, manual	
Drum diameter	[mm]	516	
Drum width	[mm]	370	
Number of sieve elements	[Unit]	8	
Filter intake surface	[cm²]	4200	
Material		GRP Duroplast / stainless steel	
Number of inlets	[Unit]	2	3 + 1 (optional)
Connections, inlet		2"	DN 110
Number of outlets	[Unit]	2	
Connections, outlet		DN 150 (OASE system)	
Connections, pollutant discharge		DN 75, DN 110	
Connection to		Bitron UVC	Bitron Gravity
Pump capacity, max.	[l/h]	25000	
Install height above the water level	[cm]	40	13
Possible water level difference	[cm]	5	
Type of use		Pump fed system	Gravity fed system
Other		Pollutant discharge incl. slide valve	
Order no. (GB-Version)		50774	50776
Order no.		50773	50775

		OASE ProfiClear Premium Moving Bed Module 2	OASE ProfiClear Premium Individual Module 3
Dimensions (L x W x H)	[mm]	830 x 600 x 820	830 x 600 x 820
Net weight	[kg]	50.00	42.00
Biological filter surface	[m²]	43.0	–
Biolog. filter surface protected	[m²]	35.5	–
Individual granulate filter		–	2 x 8 Liter
Number of sieve elements	[Unit]	–	2
Material		GRP	GRP Duroplast / stainless steel
Number of inlets	[Unit]	2	2
Connections, inlet		DN 150 (OASE System)	DN 150 (OASE System)
Number of outlets	[Unit]	2	2
Connections, outlet		DN 150	2", DN 110
Connections, pollutant discharge		DN 75	DN 75
Litres per hour, min.	[l/h]	10000	10000
Max. flow rate	[l/h]	25000	25000
Connection to		AquaOxy CWS 2000–4800	Bitron Gravity, AquaMax Gravity Eco
Install height above the water level	[cm]	13	13
Type of use		Pump fed system, gravity-fed system	Pump fed system, gravity-fed system
Other		Aeration pre-installed, pollutant discharge incl. slide valve	Pollutant discharge incl. slide valve
Order no.		50772	50771



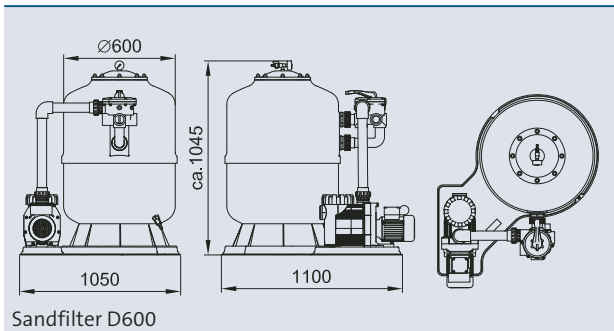
	Fresh Water	Pool Water	Sea Water	220-240 V	400 V	110-120 V	50 Hz	60 Hz
Sandfilter D 600	✓	✓	✓	✓	✓	✓	✓	✓
Sandfilter D 800	✓	✓	✓	✓	✓	✓	✓	✓
Backwash Automatic Eurotronik	✓	✓	✓	✓	✓	✓	✓	✓

SANDFILTER D600 / D800

Efficient water filtration significantly extends the interval between necessary cleaning tasks in spray fountains, ponds, and other systems.

Product characteristics at a glance

- Efficient, mechanical water filtration
- Extends the cleaning interval
- Environmentally-friendly mechanical filtration
- Pre-assembled, easy-to install unit comprised of filter, pump, and multi-port valve
- Easy to clean



Sandfilter D600



Sandfilter D600

Accessories (must be ordered separately)

NEW



Backwash Automatic Eurotronik

- For automatic backwash on

Backwash Automatic Eurotronik

Connect cable on D 600 or D 800

Dimensions (LxWxH)	[mm]	245 x 140 x 95
Power Supply	[V/Hz]	230/50
Power consumption of the controller	[VA]	approx. 10
Breaking capacity	[kW]	max. 1.1
Motor-operated valve	[V]	230
Order no.		55351

Crystal quartz sand 25 kg sack

Grain	0.4 – 0.8 mm
Order no.	53428

AFM filter medium 25 kg sack

The activated filter material comes with catalytic and oxidizing characteristics. Resists biofilm accumulation and enhances the service interval.

Grain	0.5 – 1.0 mm
Order no.	50433

The crystal quartz sand filter should be operated independently of and parallel to actual spray fountain and circulation technology. The filter can work during fountain operation, in periods when the fountain is not operating, or it can even work around the clock.

The filter system consists of a container made of fibre-glass reinforced plastic and a pump and a multi-port valve. Everything is compact and pre-mounted on a plastic pallet. The fill opening of the

filter tank is sealed with a cover and an integrated manometer. The tank can be filled with crystal quartz sand or AFM filter medium and contaminated water is suctioned in by the pump. In the filter the water is forced through the filter material via an upper distributor with sieve and then it is fed back into the pool through a lower distributor with small open-seam pipe. If the filter capacity is exhausted the filter is simply rinsed in reverse and the debris is discharged via the wastewater channel.

Table with guide values for filter runtime control / maximum pool water contents at filter runtimes of:

Sandfilter		D 600	D 800
At low contamination level			
Recirculations / day		2	2
9 hours / day	[m ³]	50	120
15 hours / day	[m ³]	70	200
24 hours / day	[m ³]	120	300
At medium level of contamination			
Recirculations / day		4	4
9 hours / day	[m ³]	30	60
15 hours / day	[m ³]	45	100
24 hours / day	[m ³]	60	150
At high level of contamination			
Recirculations / day		6	6
9 hours / day	[m ³]	20	40
15 hours / day	[m ³]	35	60
24 hours / day	[m ³]	50	100

Sandfilter		D 600	D 800
Dimensions (LxWxH)	[mm]	1000 x 870 x 1100	1000 x 1000 x 1250
Filter tank with base & lid			
Filter tank diameter	[mm]	630	830
Filter surface	[m ²]	0.28	0.50
Recirculation capacity at 8 m wc	[m ³ /h]	13	25
Filter speed at 8 m wc	[m/h]	50	50
Reverse rinse speed	[m/h]	50	50
Reverse rinse duration	[min.]	ca. 2 – 4	ca. 2 – 4
Water requirement per reverse rinse	[l]	approx. 650 in 3 min.	approx. 1250 in 3 min.
Grain of the filter material	[mm]	0.4 – 1.0	0.4 – 1.0
Quantity of the filter material	[kg]	approx. 125	approx. 325
Max. operating temperature	[°C]	40	40
Max. operating pressure	[bar]	2.5	2.5
Suction line connection	[inch]	2	2
Pressure line connection	[inch]	1 ½	2
Back wash connection	[inch]	1 ½	2
Nominal motor power	[kW]	0.65	1.3
Motor power consumption	[kW]	0.97	1.85
Nominal motor voltage	[V/Hz]	230/50	230/50
Nominal motor current	[A]	4.7	8.3
Motor protection class		IP x 4	IP x 4
Weight without sand	[kg]	40.0	72.0
Filter tank material		GFK (Polyester)	GFK (Polyester)
Pump material		PP TV 20/PP TV 40	PP GF 30/PP TV 40
Order no.		50431	50432



	Fresh Water	Pool Water	Sea Water
Wall Skimmer			

WALL SKIMMER

OASE stainless steel skimmers serve to suck in dirt particles floating on the water surface.

They are built into the side wall of the basin and connected to the suction pipe of the filter pump. Inside the large volume, stainless steel skimmer housing is a suction port, masking frame and dirt strainer basket with a floating flap. Masking frame, dirt strainer basket with floating flap form a compact unit. For discharge

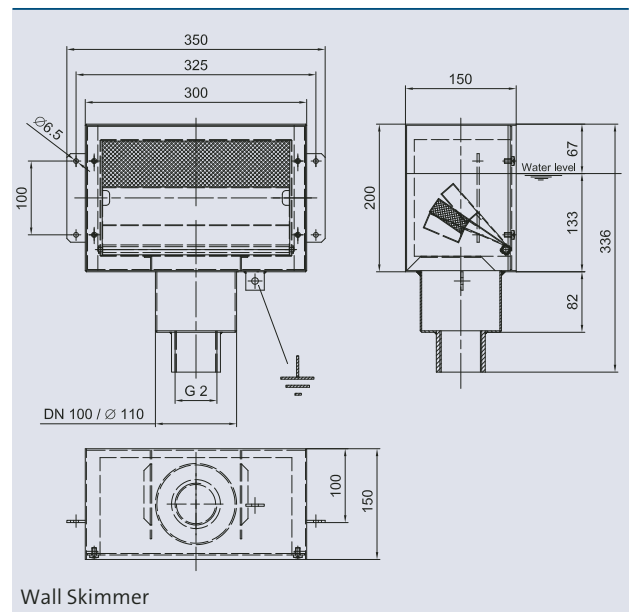
of collected dirt particles this unit can be easily taken out from the front side.

Product characteristics at a glance

- Skimmer housing made of high-grade steel
- High performance of dirt straining
- Dirt strainer basket easily to be taken out



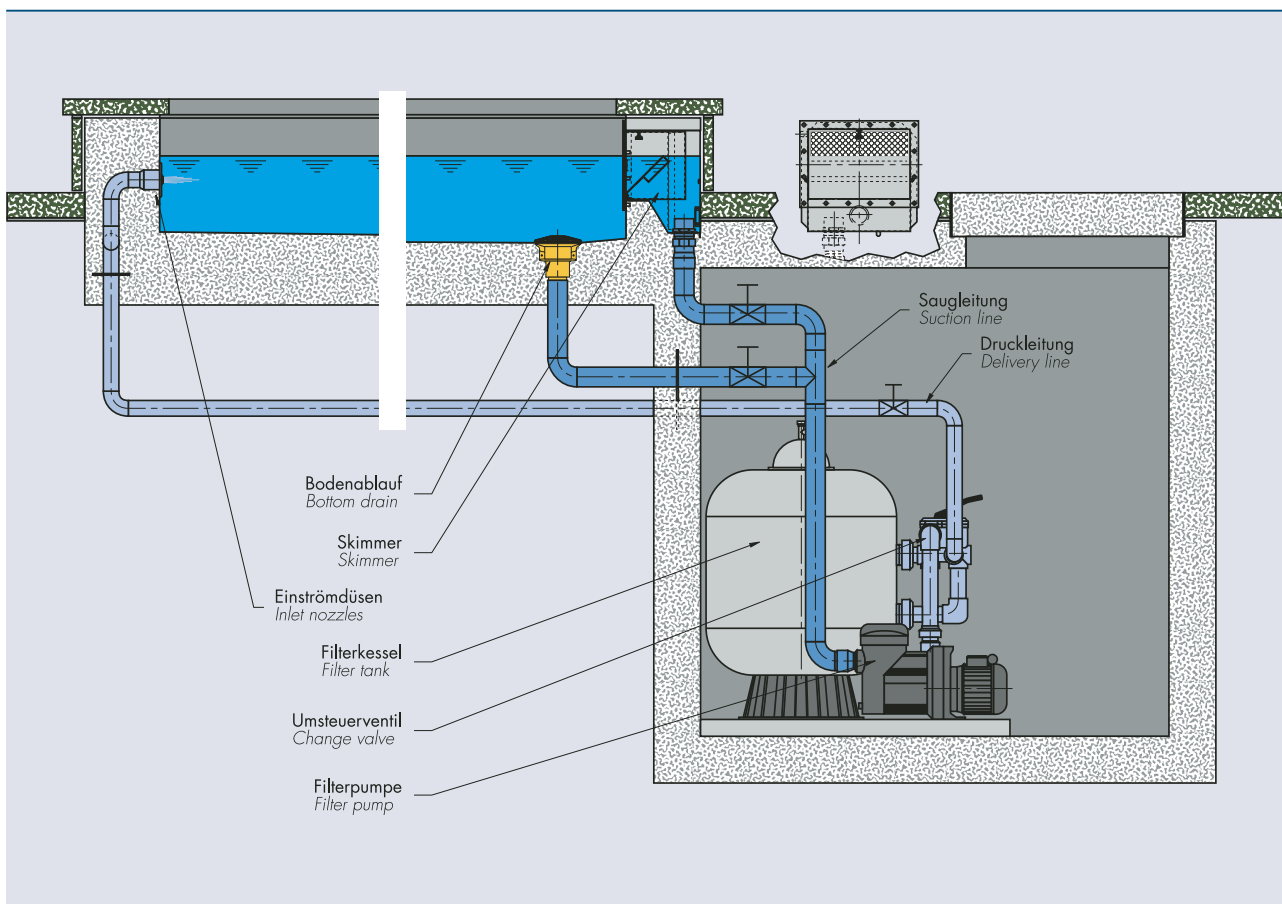
Wall Skimmer



Wall Skimmer

The floating flap is moving and adapts to the varying water level. It is provided to break the tension of water surface and increase the suction velocity of the skimmer inlet. Due to the increased suction

velocity the floating dirt is sucked into the strainer basket more efficiently and stored inside for discharge. The skimmer housing has got a suction port from beneath.



Accessories (must be ordered separately)

Concrete part 100 T (see page 184)	57467
Debris sieve 100 E (see page 184)	51974
Concrete part 70 T (see page 184)	57471
Debris sieve 70 E (see page 184)	51973
Inflow nozzle 15 E (see page 190)	53086
Floor/wall transition 15-175 E (see page 190)	51142
Suction filter basket 200/100/15 E (see page 194)	51082



Wall Skimmer

Wall Skimmer		
Dimensions (L x W x H)	[mm]	350 x 150 x 336
Connection	[DN/inch]	100/2
Material		stainless steel
Weight	[kg]	5.10
Order no.		54921



	Fresh Water	Pool Water	Sea Water	220-240 V	400 V	110-120 V	50 Hz	60 Hz
Clear Fountain System	✓	✓	✓	✓	✓	✓	✓	✓
Sonde Ph	✓	✓	✓	✓	✓	✓	✓	✓
Sonde Redox	✓	✓	✓	✓	✓	✓	✓	✓
Buffer solution calibration set	✓	✓	✓	✓	✓	✓	✓	✓

CLEAR FOUNTAIN SYSTEM AND WATER TREATMENT

Spray fountain technology requires optimal water conditions: Ideal pH value, no algae and no germs are the basic prerequisites. We use proven means to achieve this end. OASE has developed a special product range of dosing equipment and accessories for trouble-free treatment.

CLEAR FOUNTAIN SYSTEM


- Simple, reliable system in industrial casing with dosing pumps and control instruments.
- Password protected programming with user-friendly display and console.
- Proportional dosing via frequency modulation.




Clear Fountain System

Product characteristics at a glance


- Hygienically, visually, and technically clean water
- Perfectly matched system components
- High-quality components from a single source
- Easy to handle



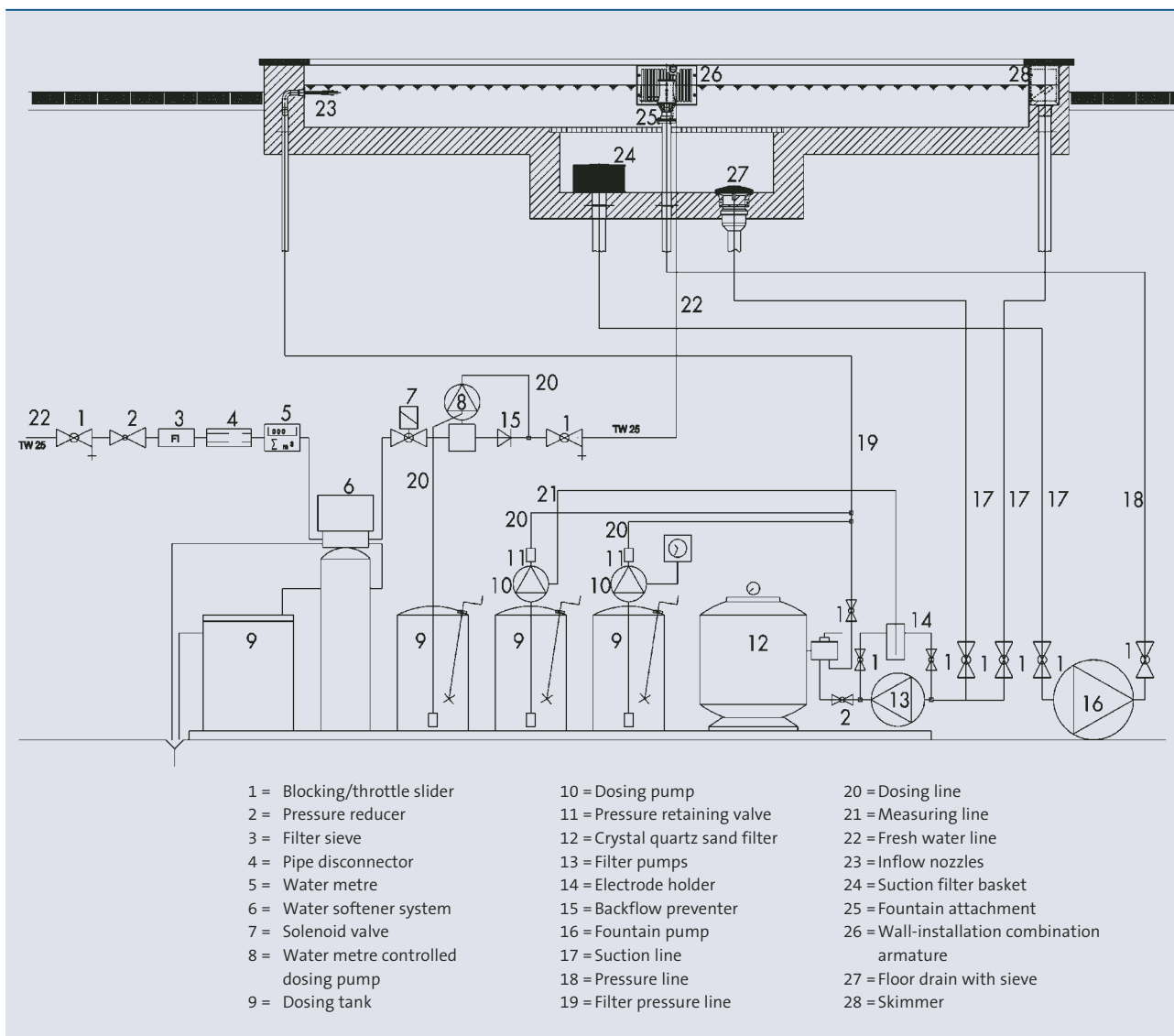
Sonde Ph
Order no. 51034



Sonde Redox
Order no. 51035



Buffer solution calibration set
Order no. 51036



	Clear Fountain System	OxyPool	ASS 100 *
Dimensions (LxWxH) [mm]	900 x 300 x 500	260 x 300 x 400	200 x 200 x 400
Agent	compact dosing station	Hydrogen peroxide 9.9% with silver ions	Ammonium chloride
Voltage [V/Hz]	100-240/50-60	-	-
Power consumption [W]	56	-	-
Litre	-	20.0	10.0
Weight [kg]	16.0	25.0	12.0
Order no.	50434	51062	51093

* Utilise algicides safely. Always read the instructions and identifications before applying algicides.



	Fresh Water	Pool Water	Sea Water	220-240 V	400 V	110-120 V	50 Hz	60 Hz
Clear Lake System CLS 250	✓	✓	✓	✓	✓	✓	✓	✓
Clear Lake System CLS 500	✓	✓	✓	✓	✓	✓	✓	✓
Clear Lake System CLS 5000	✓	✓	✓	✓	✓	✓	✓	✓
Clear Lake System CLS 20000	✓	✓	✓	✓	✓	✓	✓	✓

CLEAR LAKE SYSTEM 250/500/5000/20000

Clear Lake System stands for cost-efficient, safe and resource-conserving water treatment, which was developed for application in natural and near natural water bodies.

A concentrated mixture of gas, called Di-Oxylyd, is produced from softened drinking water and salt. This gas destroys algae, kills bacteria and viruses, and thereby cleans and clears the water.

It is also applicable in private and public ponds and lakes, fish breeding plants, fountain systems and zoological and architectural water bodies and lakes.

The system consists of

- Softener
- Storage tank for the regeneration salt
- Power unit (except for CLS 250 and 500)
- Electronic steering
- Membrane-electrolysis
- Special-ventilation for hydrogen-gas (except for CLS 250 and 500)
- Venturi injection unit (Bypass)

Product characteristics at a glance

- Temperature controlled power units
- Control unit
- Display of the power output
- Potential free contact for external failure indicator
- Regulation of the cell-power 5% – 100%
- Automatic AirControl with emergency off (except for CLS 250 and 500)
- Special-ventilation for the hydrogen-gas (except for CLS 250 and 500)
- Electrolysis cells with titan-electrodes
- Low operation costs
- Compact design

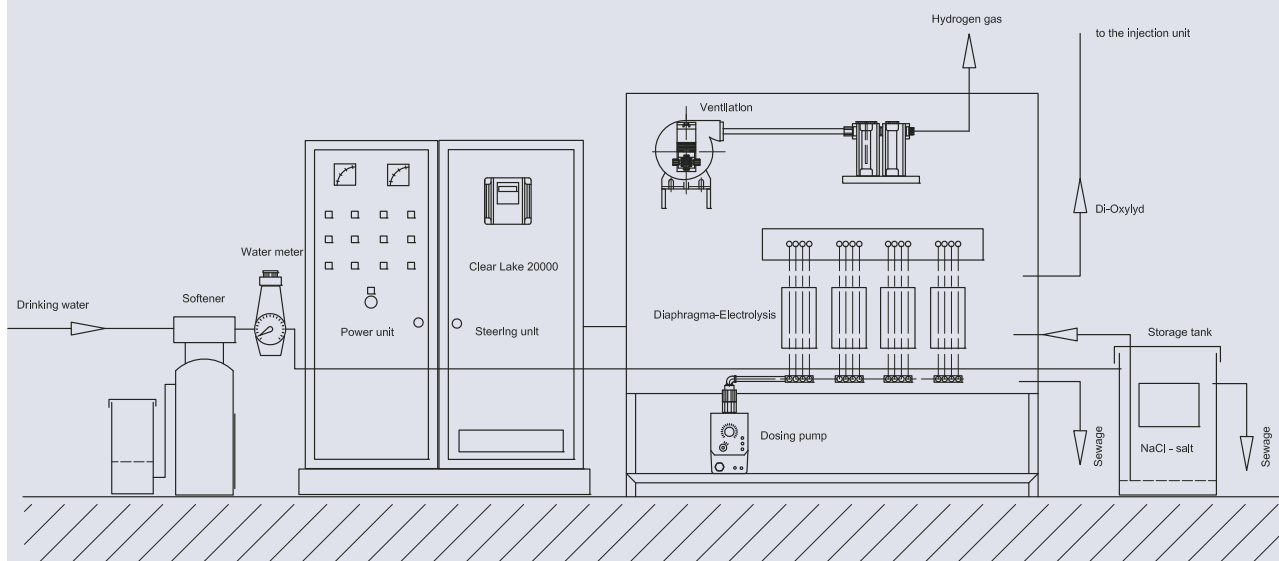
Options (on request)

- Individual measurement and control technology
- Filtration systems

All Clear Lake Systems can be used in multiples!

Schematic setup

Example: CLS 20000



Clear Lake System softener

- Low-maintenance
- Regenerative
- Tap for soft water testing
- Performance-related magnetic valve
- Pressure reducer with manoscope and strainer



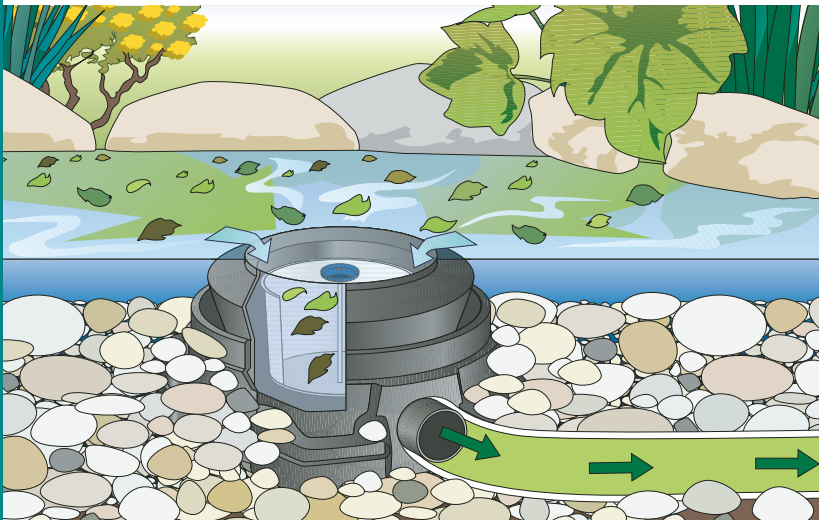
Example of use: CLS 500



Display

Storage tank for the regeneration salt		CLS 250	CLS 500	CLS 5000	CLS 20000
Storage tank for the brine	[litre]	100	100	500	500
Brine-dosing pump	[l/h]	1.1 at 16 bar	1.1 at 16 bar	12.3 at 4 bar	32 at 2 bar
Dimensions	[mm]	(L x W x H) 300 x 400 x 800	(L x W x H) 300 x 400 x 800	(ø x H) 380 x 860	(ø x H) 490 x 870

Clear Lake System		CLS 250	CLS 500	CLS 5000	CLS 20000
Power supply unit	[A/V]	20/5.5	40/5.5	500	500
Control by the measurement system	[mA]	0 – 20	0 – 20	0 – 20	0 – 20
Impulse entrance max.	[Imp./min]	120	120	120	120
Electrical power input max.	[kVA]	0.2	0.3	4	16
Voltage	[V/Hz]	230/50	230/50	400/50	400/50
Salt consumption of electrolysis cell	[kg/h]	0 – 0.125	0 – 0.25	0 – 1.0	0 – 4.0
Fresh water supply max.	[l/h]	10 – 30	20 – 60	180 – 500	500 – 2000
Produced amount of Di-Oxylyd max.	[l/h]	25	50	500	2000
3% of caustic soda solution (liquid waste)	[l/h]	1.5	3	12	48
Conditioning of water volumes up to	[cbm]	250	500	5000	20000
Total weight (incl. storage tank) ca.	[kg]	25	40	380	750
Dimensions CLS (W x H x D)	[mm]	1000 x 800 x 300	1000 x 800 x 300	1600 x 1900 x 500	800 x 1900 x 500
Dimensions of the softener (ø x H)	[mm]	integrated	integrated	185 x 1180	210 x 1345
Mounting plate of electrolysis cells (W x H x T)	[mm]	–	–	–	2400 x 2000 x 650
Order no.		58960	58960	58960	58960



	Fresh Water	Pool Water	Sea Water	220-240 V	400 V	110-120 V	50 Hz	60 Hz
ProfiSkim 100								

PROFISKIM 100

Leaves, and particles deposited on the water surface by wind are a risk to the biological equilibrium in a body of water. OASE skimmers powerfully and effectively pull these pollutant particles off of the surface and into the collection basket. Thus pollutants can be removed from the eco system of the body of water before they harm the eco system.

ProfiSkim 100 for water surface cleaning spares you the bothersome task of mechanically cleaning surface pollutants. This stationary skimmer is impressive with an easy-to-operate cleaning unit and generously dimensioned 12-litre collection basket.

Product characteristics at a glance

- Function-optimised float ring for improved performance
- Large cross section enables 10000 to 12000* l/h water flow in gravitation systems and 10000 to 30000 l/h for pumped systems
- Ideal in conjunction with an AquaMax Eco 16000

* Limited through DN100 pipe connection

Self-adjusting weir

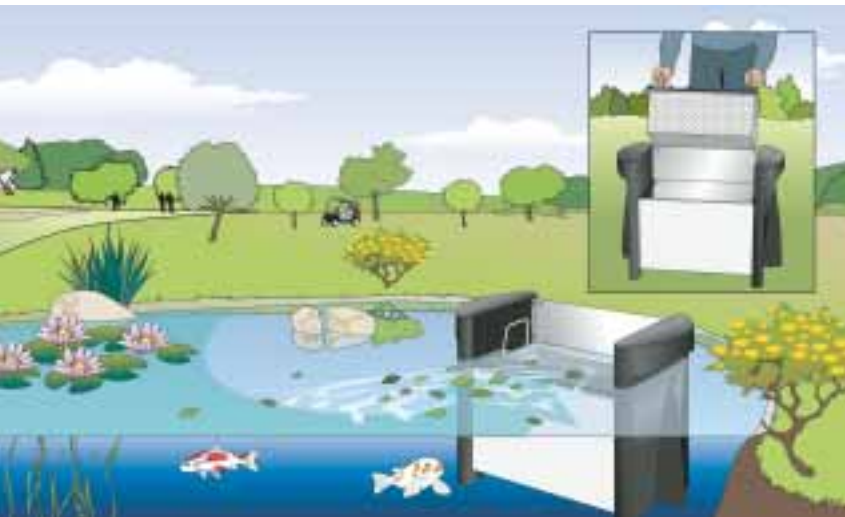
Strainer basket with built-in cleaning mechanism

Skimmer base



ProfiSkim 100

ProfiSkim 100		
Pedestal footprint (L x W)	[mm]	780 x 585
Height min.	[mm]	350
Height max.	[mm]	530
Installation depth max.	[mm]	530
Connection	[DN]	100
Pipe reduction	[inch]	2
Recommended flow rate (Gravitation)	[l/h]	10000 – 12000
Recommended flow rate (pumped)	[l/h]	10000 – 30000
Filter basket volume	[l]	12.0
Max. pond surface	[m²]	80
Weight	[kg]	13.5
Order no.		57134



	Fresh Water	Pool Water	Sea Water	220-240 V	400 V	110-120 V	50 Hz	60 Hz
Skimmer 250								
Skimmer 250 A								

SKIMMER 250 / 250A

Skimmer 250 is a high-performance floating skimmer that keeps up to 250 m² of surface water clean. The floating skimmer is particularly

well suited for bodies of water with significant water level fluctuation, and it can be flexibly implemented where pollutants accumulate.



Skimmer 250

Product characteristics at a glance

- More stability thanks to foamed-out drive body
- Ideal water level adjustment through float design
- 52 cm wide skimmer flap for optimum skimmer performance
- Integrated pump
- Extremely long service life due to canned motor technology without seals that are subject to wear
- 27-litre stainless steel pollutant collection basket
- High-quality workmanship with stainless steel components

Skimmer		250		250 A	
Dimensions (L x W x H)	[mm]	775 x 400 x 590	Dimensions (L x W x H)	[inch]	30.5 x 18.8 x 23.2
Skimmer opening width	[mm]	520	Skimmer opening width	[inch]	20.5
Basket size (L x W x H)	[mm]	510 x 310 x 190	Basket size (L x W x H)	[inch]	700 / 5.8
Filter basket volume	[l]	27.0	Filter basket volume	[gal]	7.1
Rated voltage	[V/Hz]	220 - 240 / 50	Rated voltage	[V/Hz]	110 - 120 / 60
Power consumption (pump)	[W]	250	Power consumption (pump)	[W/A]	300 / 2.7
Litres per minute max.	[l/min]	250	Litres per minute max.	[gal/min]	66
Litres per hour max.	[l/h]	15000	Litres per hour max.	[gal/h]	3700
Pressure-side connection	[m]	1 1/2"	Pressure-side connection	[inch]	1½
Filter surface	[cm ²]	4500	Filter surface	[sq/ft.]	4.8
Suitable for ponds up to	[m ²]	250	Suitable for ponds up to	[sq/lbs.]	2690
Minimum water depth	[mm]	650	Minimum water depth	[inch]	2.6
Weight	[kg]	27.0	Weight	[lbs.]	64
Cable length	[m]	10.0	Cable length	[ft.]	7.5
Order no.		57480			57488



AQUAACTIV

Rediscover the successful AquaActiv pond care series, now the whole concept has been cleverly optimised, extended and put together in a manner that makes sense for you. With our years of experience and the help of acknowledged experts we have developed innovative products.



PHOSLESS



BIOKICK CWS



OPTIPOND



SEDI FREE



ALGO DIRECT



ALGO UNIVERSAL



POND CLEAR



WATER ANALYSIS PROFI-SET



AquaActiv – mode of operation

The sensitive pond biology is frequently burdened through excessive fish stock, rainfall, excessive sunlight or leaves. The consequences are poor water values, excessive algae and

silt formation or even fish disease. AquaActiv is effective at precisely these points and restores the biological balance in the pond, to provide a basis for a sustainably healthy pond.

AquaActiv	PhosLess Algae protection refill pack	BioKick CWS Starter bacteria for pond filters	OptiPond For optimal water conditions	SediFree Pond silt remover
Container size	15 x 2 bags 1 l	2 l	5 l	5 l
Suitable for ponds up to max. m ³	40.0	100.0	50.0	100.0
Suitable for ponds with fish stock m ³	10.0			
Description	<ul style="list-style-type: none"> • 15 x 2 1 l bags PhosLess CA and PhosLess FS • Suitable for use in larger bodies of water • Replacement medium for PhosLess filter media tubes • Can also be directly applied in moving water • Ideal in ProfiClear Premium 	<ul style="list-style-type: none"> • The bacterial activity in the filter works at 100%, even after just a few days • Detoxification of nitrite, ammonium, and ammonia starts immediately • Well-suited for post-dosing if some of the water is changed or when cleaning the filter! • Contains millions of active microorganisms 	<ul style="list-style-type: none"> • Treats soft well water or rain water • Increases the carbonate hardness in exhausted water • Stabilises the most important parameters • Binds ammonium & ammonia • Prevents dangerous drops in acidity • Contains vital minerals and trace elements • Ideal after heavy rainfall • Product is marked »irritant«! 	<ul style="list-style-type: none"> • Transformation of organic silt via special high-performance bacteria • Gentle cleaning without refilling the pond or dredging, etc. • Focused prevention of silt, long-term turbidity, and algal bloom • Granulate with active oxygen sinks into the silt and oxidises it. Subsequent rapid decomposition of the silt through special bacteria • Product is marked »irritant«!
Order no.	57477	50562	50558	50561

AquaActiv	AlGo Direct String algae control with contact effect	AlGo Universal Universal algae control	PondClear For crystal clear pond water	Water Analysis Profi-Set
Container size	5 l	5 l	5 l	
Suitable for ponds up to max. m ³	100	100	50.0	
Description	<ul style="list-style-type: none"> • Particularly for local and fast treatment of string algae, e.g. in watercourses • Works through direct contact • Microorganisms decompose dead algae • Includes pH/GH quick test • Active ingredient decomposes to oxygen and water within a short time, consequently use in swim ponds is possible • Effective without controversial copper additives • Product is marked »harmful to health« 	<ul style="list-style-type: none"> • Safely effective against the most frequently occurring algae types, string algae, suspended algae, and slime algae • Inhibits photosynthesis of the algae; algae starves • Effective without controversial copper additives • Harmless for plants and animals when used properly • Specifically effective against duckweed • Prevents further algae growth 	<ul style="list-style-type: none"> • Binds mineral substances that cause cloudiness • Binds organic substances from fish waste or leaves that cause cloudiness • Effective against fine, non-filterable pollutants such as phosphates and heavy metal combinations • Accumulated flocculated material can be easily skimmed off with a net • Not suitable for algae control 	<ul style="list-style-type: none"> • Professional drop solutions for precise readings of all important pond parameters • Phosphate test incl. shelf life check solution • Incl. measurement accessories, colour charts, and useful application instructions • Delivered in a modern plastic case
Use algacides safely! Always read the label and product information before use!				
Order no.	Not available in GB! 50549	Not available in GB! 50545	50555	50571



SWIM PONDS

PROFIT FROM THE CURRENT WELLNESS TREND AND MAKE YOUR DREAMS COME TRUE. WITH THE SWIM POND CONCEPTS FROM OASE.

A private swimming pond in the garden – pure wellness and the dream of many garden owners. A dream that can come true thanks to the swim pond concepts from OASE. All of our experience with gardens, pond construction, water quality, and pond technology come together in this area and enable us to offer mature, complete packages. Our SwimPonds offer the right concept for every taste, all requirements, and not least for any budget:

- The SwimPond Set module is particularly well-suited as basic or entry level model, even for do-it-yourself installation.
- SwimPond individual is the name of the exclusive solution for a personal wellness temple on difficult terrain, or for demanding customers with very individual tastes.



- Care and treatment page 176
- SwimPond individual page 178

THE SWIMPOND IN FOUR SEASONS – CARE AND MAINTENANCE – WHAT MUST BE DONE?

Seasonal cycles and life cycles of the pond biology

Owning a swimpond means experiencing nature firsthand.

As the seasons change the form of the pond also changes and so do its needs. External influences such as weathering and vegetation ensure that numerous parameters in the pond are subject to natural fluctuations – e.g. nutrient content, temperature as well as the kind and quantity of creatures.

For example, algae are part of the nutrient pyramid and are present in every natural as well as nearly-natural body of water. Moreover a pond also changes from year to year and passes through different natural phases.

A newly created pond needs time to develop the necessary pond biology, so that the biological-mechanical filtration can achieve its full effect. In addition a swimpond in the course of its development is subject to vegetational change so that depending on location plants and pond inhabitants also change over the course of time. With these constant development processes increased string algae can also be a frequent occurrence. Likewise a certain amount of sedimentation is unavoidable in the course of pond development.

However the OASE concept is based on maintaining the pebble filter surfaces for as long as possible and to work with low levels of sedimentation.

String algae will also occur - however this is sign of good water quality. In this case the important thing is to reduce the phosphate content.

Pond construction

The cornerstone for a functioning swimpond ecosystem is laid when the pond is constructed. Clean and professional work helps to keep subsequent maintenance effort to a minimum. Consequently strictly follow the instructions in the swimpond construction manual.

Care measures

1. Silt: The OASE swimpond concept is to keep sediment to a minimum. Nevertheless deposits form on the pond floor and they must be vacuumed out at the latest when deposits are 2-3 cm deep, to prevent anaerobic putrefaction. Naturally you can also vacuum out these deposits more frequently for visual reasons. The OASE PondoVac 4 is particularly well-suited in this regard.

2. Leaves: Falling leaves mean nutrient input, and thus an additional burden for the swimpond ecosystem. Always ensure that your pond is protected from leaves, e.g. through leaf nets or appropriate landscaping of the area around the swimpond. In autumn empty the skimmer's collection basket on a regular basis.

3. Algae: There is no natural body of water that does not have algae – algae only become a problem if there is excessive development.

The following are suitable reduction measures:

- Mechanical removal and vacuuming
- Biological/chemical control through the use of pond care agents (e.g. string algae control through hydrogen peroxide)
- Introduction of nutrient competition through microorganism or cutting back water plants, particularly water lilies.



4. Planting: Plants absorb nutrients – consequently trim your plants before they store their nutrients in the pond near the end of the vegetation period.

5. Water quality: Have your pond water analysed on a regular basis, so that you can react as quickly as possible to changes in the water values. The Water Test LM from OASE is extremely well-suited for this purpose. For example high phosphate content is a nutrient medium for string algae and can be reduced through the use of PhosLess LM.

6. Edges/seal: Always ensure that the capillary barrier is intact, particularly with regard to plants that can grow over it. In addition indirect

nutrient sources such as rain water represent a burden for the pond system. Surface water or runoff water absorbs the nutrients and carries them into the pond.

7. Snails and waterfowl: Always keep snails and waterfowl away from the swimpond, as they feed on plants and insects that play an important role in the nutrient cycle. In addition snails and waterfowl stress the pond through excrement. Different pathogens can be introduced into the pond in this manner, for example cercariae that can trigger an unpleasant skin rash on humans.



SWIMPOND INDIVIDUAL.

THE CUSTOM-TAILORED SOLUTION FOR SPECIAL REQUIREMENTS.

Your customer and his family however do not want to forego the nearly natural experience of having their own swimpond? Our special service for all who need a custom-tailored solution is called SwimPond individual. For an additional charge the OASE swimpond experts will plan the custom solution for your customers if none of our prefabricated modules meet the local requirements. Thus you can satisfy all of your customers' dreams of having their own swimpond.

Contact us **for professional planning** of an individual swimpond by our experts.



Special prerequisites for use of technology in and on the swimpond. (valid in Germany only)

- Installation, assembly and operating instructions for OASE technology in accordance with DIN VDE 0100 Part 702 and Part 737.
- In the pond only operate devices with a maximum of 12V.
- All devices (UVC clarifiers, circulation pumps, transformers for lights and/or aerators) with more than 12V power must be set up outside of the body of water in a separate chamber. In this case the requirement that must be complied with is either a minimum distance of 2 m to the edge of the pond or set up in a lockable installation chamber. In the installation chamber the pump can be set up dry or it can be submersed in a separate pump chamber.
- The water-conducting pipes must be made of plastic.
- A 30 mA fuse must be installed.

OASE SwimPond individual – the custom-tailored solution for all customers who appreciate the unique. Depending on the requirements our experts plan custom swimponds that leave nothing to be desired. Contact us.



**CITY FOUNTAIN/
ACROPOLIS CONFERENCE
AND EXHIBITION CENTRE**

Location: Nice

The imposing water domes produced by OASE fountain rings and Comet nozzles have found their perfect site on the Cote d'Azur – throughout the year they attract locals and tourists alike.

OASE reference object, left



IDEAL ACCESSORIES FOR PROFESSIONAL SYSTEMS

CONSTRUCTION OF A PROFESSIONAL SPRAY FOUNTAIN SYSTEM, A LARGE FOUNTAIN OR PERFECTLY PLANNED WATER FEATURES IS AN EXTREMELY CHALLENGING TASK. THE HIGH-QUALITY ACCESSORIES FROM OASE ARE DESIGNED TO HELP YOU MEET THAT CHALLENGE.

Planning has finally been completed, all desires and requirements have been taken into consideration, the terrain has been probed and the perfect solution has been found. Implementation is now the issue at hand – and sometimes, the devil is in the details.

OASE offers sophisticated accessories for all eventualities so that you can implement your ideas just as perfectly as they have been planned. They prevent you from unpleasant surprises in the implementation.

High-quality stainless steel channels enable waterproof layout of suction and pressure connections in concrete and in liner pools.

Stainless steel filter baskets ensure years of trouble-free system operation. Armatures that satisfy the most rigorous functional and aesthetic requirements are available for inflow and outflow, the floor drain and for the overflow and the return feed.

NEW: We have added several fittings to our assortment (see p. 196)



- Underground niches page 182
- Floor drain armatures page 184
- Overflow / Drain armatures page 186
- Return armatures page 188
- Inflow nozzles page 190
- Floor-/wall transitions page 190
- Overflow-/return armatures page 192
- Suction filter baskets page 194
- Fittings page 196



	Fresh Water	Pool Water	Sea Water
Nozzle-Chamber Single			
Nozzle-Chamber Vario			

NOZZLE-CHAMBER SINGLE / VARIO

Compact water installations – even without a large pool can be quickly and easily implemented your design ideas in free spaces. The underground niches Nozzle-Chamber Single and Nozzle-Chamber Vario, offer ideal conditions for the uncomplicated installation of attractive water-light combinations without an open water surface.

The Nozzle-Chamber Single is ideal for underground installation of the ProfiPlane LED 320/DMX/02 or our Comet and Schaumsprudler fountain jets. With the Nozzle-Chamber Vario you can also easily install the Vario-Switch 010a

underground with the ProfiPlane LED 320/DMX/02 or the Comet and Schaumsprudler fountain jets.

Product characteristics at a glance

- Ideal for installation in open areas and multi-functional areas
- Easy installation
- With 3 DA 110 / DN 100 connections and 2 sealing caps
- G 1" pressure connection including 90° angle
- High-quality, robust stainless steel construction

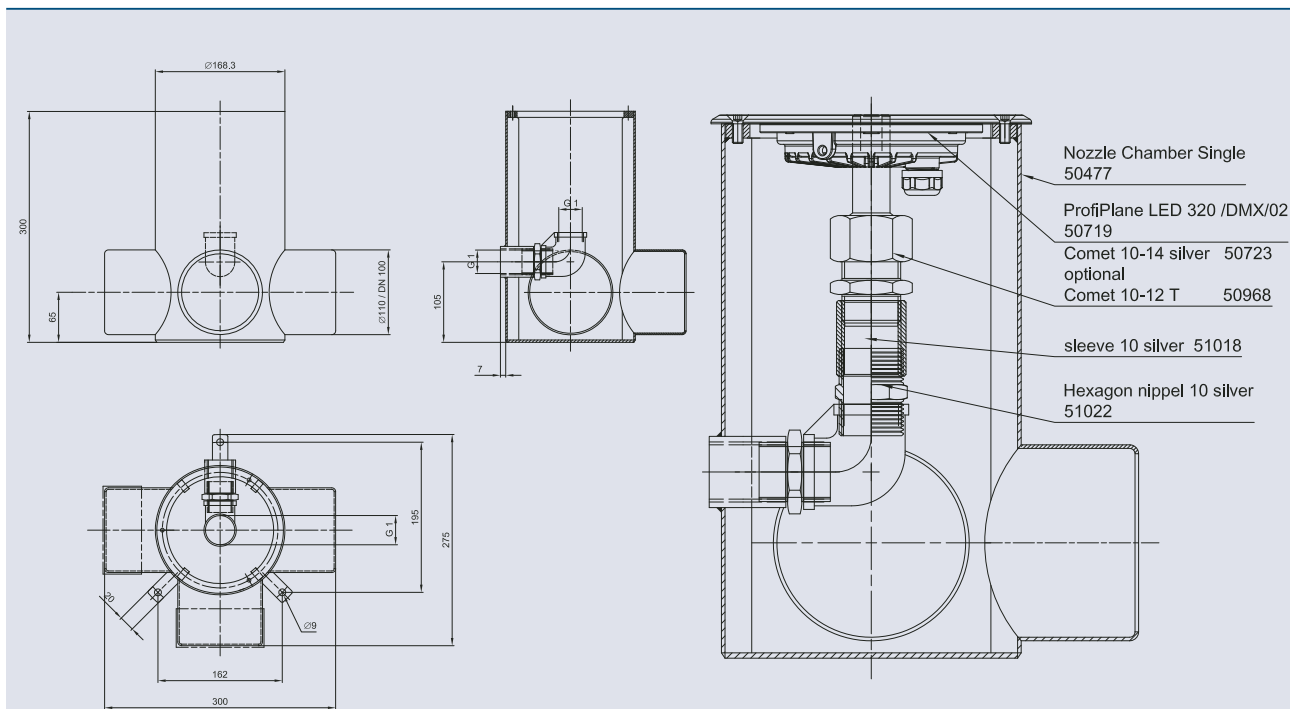
For details of Vario Switch 010a, see page 17.



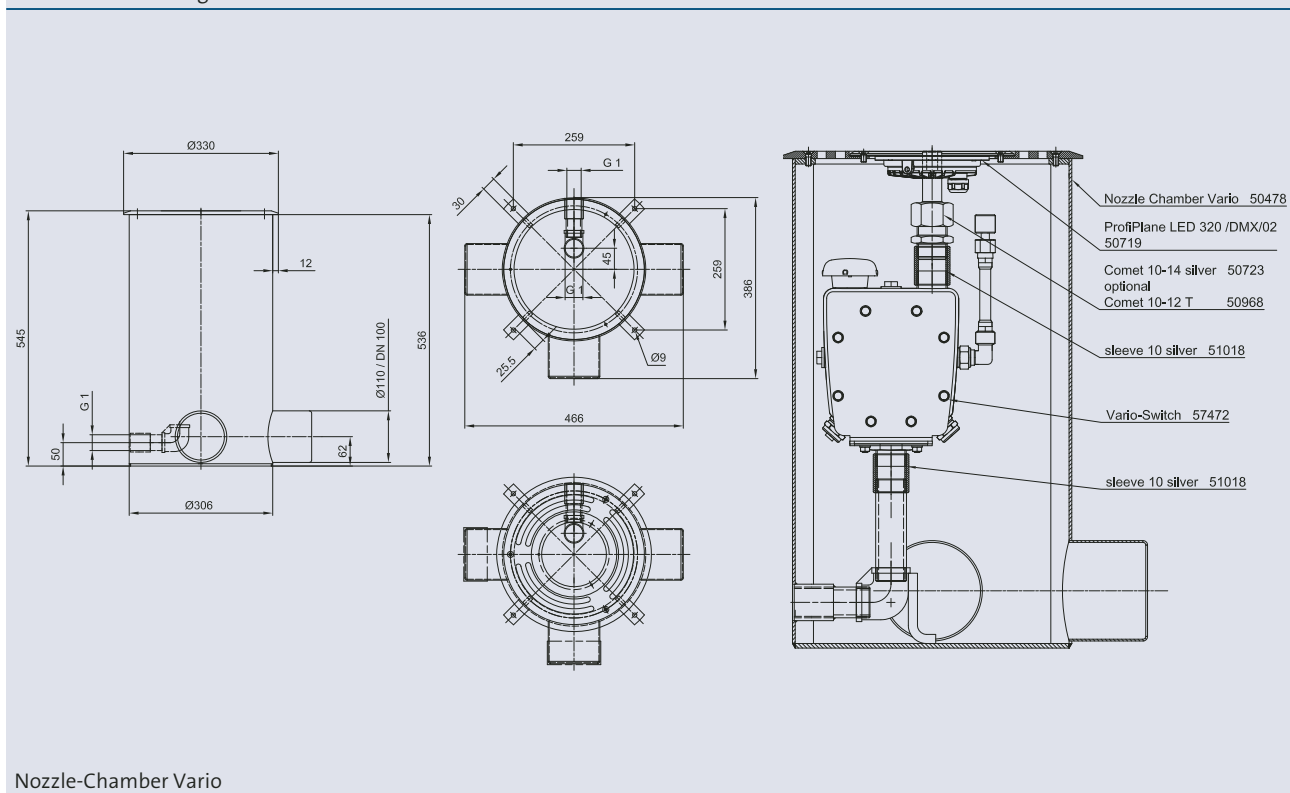
Nozzle-Chamber Single



Nozzle-Chamber Vario

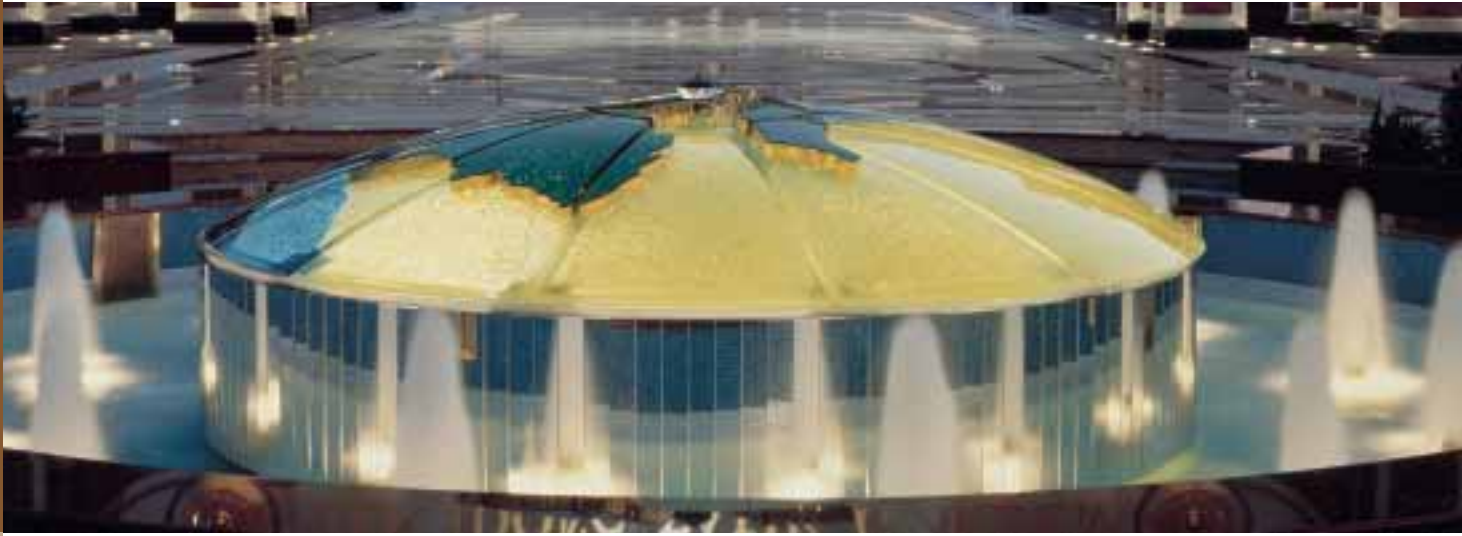


Nozzle-Chamber Single



Nozzle-Chamber Vario

	Nozzle-Chamber Single	Nozzle-Chamber Vario
Dimensions (L x W x H) [mm]	300 x 275 x 300	466 x 386 x 536
Pressure connection [inch]	1	1
Connection drain	3 x Ø 110/DN 100	3 x Ø 110/DN 100
Material	stainless steel	stainless steel
Weight [kg]	5.5	23.0
Order no.	50477	50478



Fresh Water	Pool Water	Sea Water

FLOOR DRAIN ARMATURES

Concrete or liner pools can be easily emptied via OASE floor drains. The drains are available with plug or with sieve.

Subsurface installation of a slide valve is required for discharging the models with debris sieve. Suitable cover sieves for the floor drains prevent excessive debris from getting into the drain (accessories).

The floor components of the drain armatures have concrete sealing flanges and can simply be inserted and cemented into the muffs of the drain pipes. Appropriate bores are available for connection to the equipotential bonding.

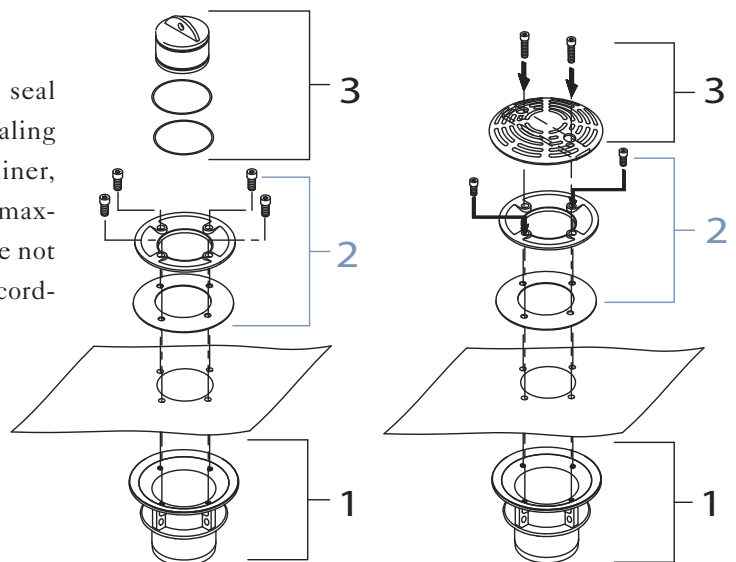
Appropriate liner clamping flanges with seal and bolts are available for flanging and sealing to liner. They are suitable for normal pool liner, with or without textile reinforcement and a maximum thickness of 2.5 mm, however they are not suitable for waterproofing membranes in accordance with DIN 18195.

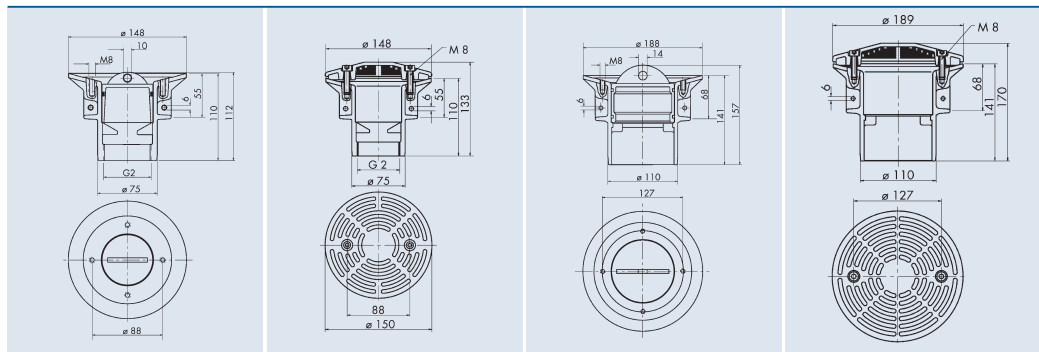
1 The concrete part is the basis of every configuration. Available for DN 70 and / or DN 100 pipes.

2 The clamping flange is for fastening with liner. Products with cable transitions are listed on page 116.

This position can be used optionally.

3 Depending on the requirement a decision is made at this point concerning the specific implementation: Plug, sieve, overflow or level regulator...





<h1>3</h1>				
	Plug 70 T	Debris sieve 70 E	Plug 100 T	Debris sieve 100 E
Dimensions (ø) [mm]	70	150	100	190
Designation	plug	debris sieve	plug	debris sieve
DN	70	70	100	100
Material	tombac	stainless steel	tombac	stainless steel
Weight [kg]	0.6	0.6	0.9	0.7
Order no.	57468	51973	57462	51974

<h1>2</h1> (optional)		
	Liner clamping flange 70 T	Liner clamping flange 100 T
Dimensions (ø) [mm]	148 x 26	188 x 35
Designation	liner clamping flange	liner clamping flange
DN	70	100
Material	tombac	tombac
Weight [kg]	1.1	1.4
Order no.	51108	51117

<h1>1</h1>		
	Concrete part 70 T	Concrete part 100 T
Dimensions (ø x H) [mm]	70 x 110	100 x 141
Designation	concrete part	concrete part
DN [mm]/[inch]	70 / 2"	100
Material	tombac	tombac
Weight [kg]	2.1	3.2
Order no.	57471	57467



Fresh Water	Pool Water	Sea Water
		

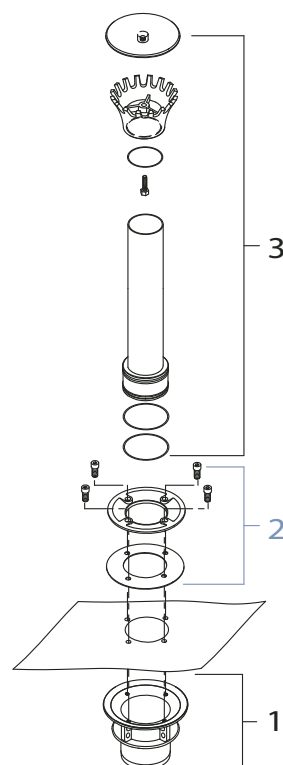
OVERFLOW/DRAIN ARMATURES

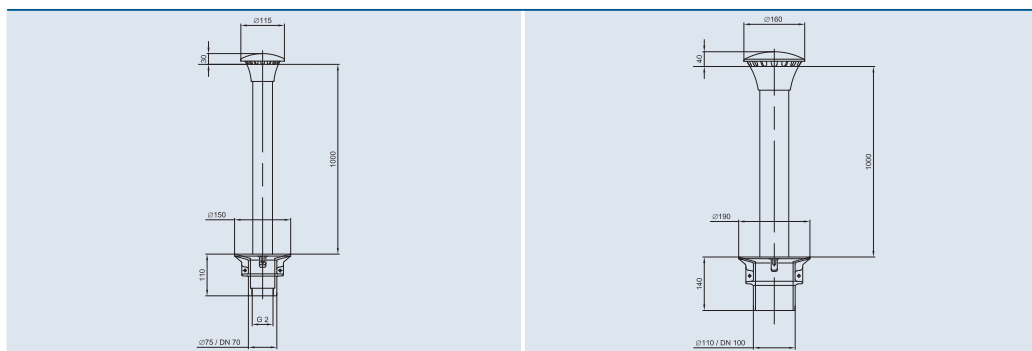
The optimal combination of overflow and drain: An overflow pipe inserted in the drain discharges excess water from filled pools. It is simply pulled out to empty the pool.

The overflow pipe with overflow crown has a standard length of 1000 mm, however it can be shortened to adapt to a lower water level. A debris/winter sieve can also be ordered for protection against coarse debris (see page 185).

Product characteristics at a glance

- Optimal combination of overflow and drain
- Easy installation
- For water levels from 0 to 1000 mm
- Stainless steel standpipe
- Cast parts are made of corrosion-resistant tombac alloy





<h1>3</h1>		
	Overflow/drain armature 70 / 1000 T	Overflow/drain armature 100 / 1000 T
Dimensions (ø x H) [mm]	115 x 1054	160 x 1108
Designation	overflow / drain armature	overflow / drain armature
DN	70	100
Material	tombac / stainless steel	tombac / stainless steel
Weight [kg]	3.2	7.2
Order no.	57469	57463

<h1>2</h1> (optional)		
	Liner clamping flange 70 T	Liner clamping flange 100 T
Dimensions (ø x H) [mm]	148 x 26	188 x 35
Designation	liner clamping flange	liner clamping flange
DN	70	100
Material	tombac	tombac
Weight [kg]	0.9	1.1
Order no.	51108	51117

<h1>1</h1>		
	Concrete part 70 T	Concrete part 100 T
Dimensions (ø x H) [mm]	70 x 110	100 x 141
Designation	concrete part	concrete part
DN [mm] / [inch]	70 / 2"	100
Material	tombac	tombac
Weight [kg]	2.1	3.2
Order no.	57471	57467



Fresh Water	Pool Water	Sea Water

RETURN ARMATURE

Return armatures channel the water from the pool back to the water reservoir and thus closing the water circuit. Size and quantity are calculated on the basis of the water volume flowing through the circuit.

For safety reasons at least two return armatures must be provided. A maximum return speed of 0.6 m/s should serve as the basis for calculating the nominal return diameter.

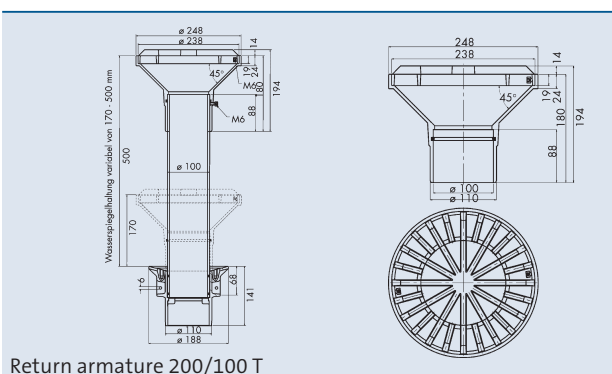
The standpipe 100/500 T can be shortened for adaption to the water level. For a constant water level the armatures can be pushed onto the slightly chamfered pipes. Otherwise the return armature 200/100 T is simply inserted in the muffs of the drain pipes and embedded in concrete.

The floor part has a concrete sealing flange and can easily be inserted in the muffs of the drain pipe and embedded in concrete. Appropriate

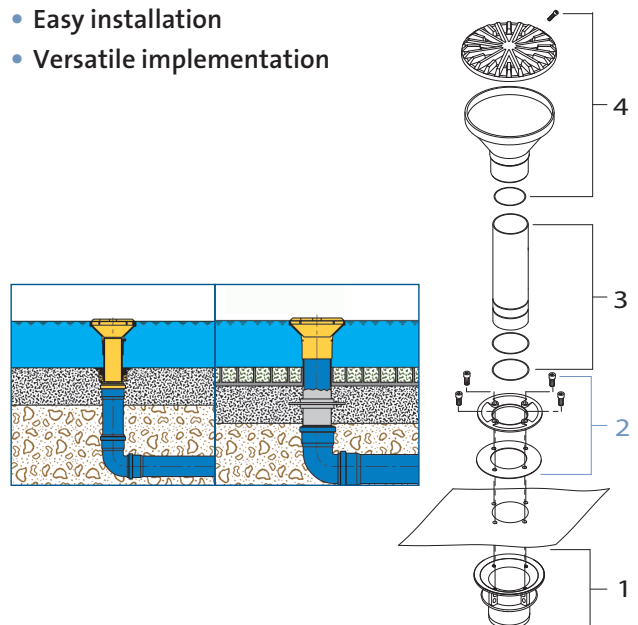
bores are available for connection to the equipotential bonding. Appropriate liner clamping flanges with seal and bolts are available for flanging and sealing to liner. They are suitable for normal pool liner, with or without textile reinforcement, and a maximum thickness of 2.5 mm, however they are not suitable for waterproofing membranes in accordance with DIN 18195.


Product characteristics at a glance

- Large and effective debris sieves
- Cast parts are made of corrosion-resistant tombac alloy
- Easy installation
- Versatile implementation




Return armature 200/100 T



<h1>4</h1>	
Return armature 200 / 100 T	
Dimensions (ø x H) [mm]	248 x 194
Designation	return armature
DN	100
Material	tombac
Weight [kg]	8.5
Order no.	51123

<h1>3</h1>	
Standpipe 100/500 T	
Dimensions (ø x H) [mm]	110 x 170-500 (variable)
Designation	standpipe
DN	100
Material	brass
Weight [kg]	4.5
Order no.	57466

<h1>2</h1> (optional)	
Liner clamping flange 100 T	
Dimensions (ø x H) [mm]	188 x 35
Designation	liner clamping flange
DN	100
Material	tombac
Weight [kg]	1.1
Order no.	51117

<h1>1</h1>	
Concrete part 100 T	
Dimensions (ø x H) [mm]	100 x 141
Designation	concrete part
DN	100
Material	tombac
Weight [kg]	3.2
Order no.	57467



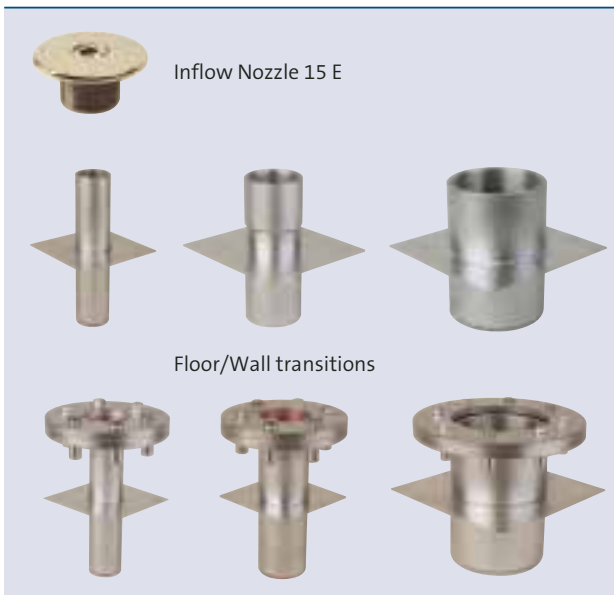
	Fresh Water	Pool Water	Sea Water
Floor/wall transition			
Inflow nozzle 15 E			

INFLOW NOZZLE 15 E

For undisturbed satisfaction in clean fountain pools and ponds.

Filtered water is fed back into the pool through stainless steel and bronze inflow nozzles. Direction of flow can be changed by adjusting the nozzle.

Fresh water inlet armatures are used to fill the pool and for top-up feed of evaporated water from the public drinking water network. The water-level can be adjusted from 100 to 1000 mm.



FLOOR/WALL TRANSITIONS

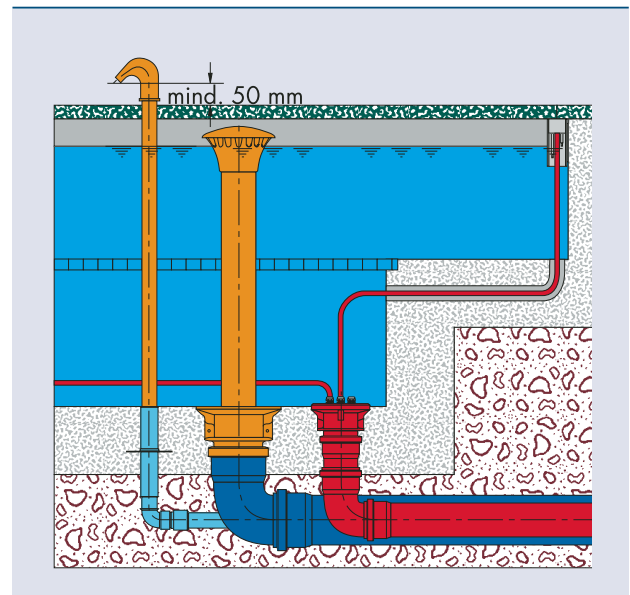
Trouble-free pipe routing through pool walls or pool floors is indispensable.

OASE floor/wall transitions are made of high-grade stainless steel and have a large-surface concrete-tight flange with grounding possibility.

Models with liner clamping flange are available for pools with liner.

Product characteristics at a glance

- Versatile implementation
- Easy to install
- Extremely corrosion resistant



Inflow nozzle	Inflow nozzle 15 E
Dimensions (LxWxH) [mm]	∅101x31
Thread	1 ½"
Material	stainless steel
Weight [kg]	0.3
Order no.	53086

Floor/Wall transition	Floor/Wall transition 10-175 E	Floor/Wall transition 15-175 E	Floor/Wall transition 20-175 E	Floor/Wall transition 40-175 E
Dimensions (LxWxH) [mm]	100x100x175	100x100x175	150x150x175	200x200x175
Thread	1"	1 ½"	2"	4"
Material	stainless steel	stainless steel	stainless steel	stainless steel
Weight [kg]	0.6	1.1	2.0	3.6
	1.4571	1.4571	1.4571	1.4571
Order no.	51141	51142	51143	52790

Floor/Wall transition	Floor/Wall transition/F 10-175 E	Floor/Wall transition/F 15-175 E	Floor/Wall transition/F 20-175 E	Floor/Wall transition/F 40-175 E
Dimensions (LxWxH) [mm]	100x100x191	100x100x191	150x150x191	200x200x191
Thread	1"	1 ½"	2"	4"
Material	stainless steel	stainless steel	stainless steel	stainless steel
Weight [kg]	3.0	3.4	4.7	8.3
	1.4571	1.4571	1.4571	1.4571
Order no.	51145	51146	51147	53013



OVERFLOW/RETURN BOX 100 E

These armature can either be used to route the filtered water back into the pool or to discharge excess pool water.

Overflow/return armature is installed in the vertical pool wall. Number of armatures used are based on the volume of water that will be returned. However at least two return armatures

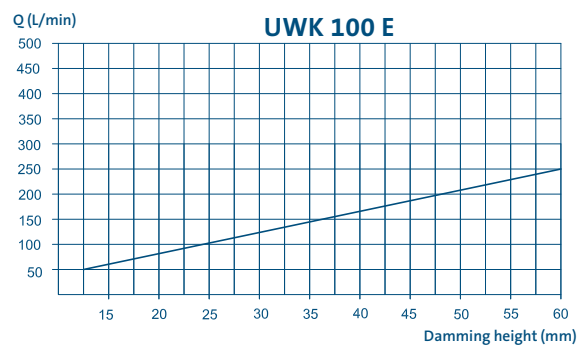
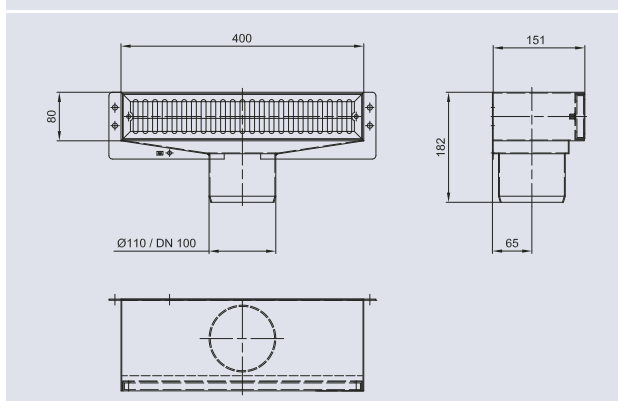
should be used for safety reasons. A maximum return speed of 0.6 m/s should serve as the basis for calculating the nominal return pipe diameter. The connection ducts easily fit in all muffs of the drain pipes.

Product characteristics at a glance

- For installation in vertical pool walls
- Large and effective debris sieves
- Connection suitable for the muffs of the drain pipe
- Manufactured completely of stainless steel



Overflow/return box 100 E



Overflow/return box 100 E	
Dimensions (L x W x H) [mm]	450 x 150 x 180
For pools with liner	no
Connection [DN]	100
Material	stainless steel
Weight [kg]	6.0
Order no.	52602



OVERFLOW WALL-INSTALLATION COMBINATION ARMATURE

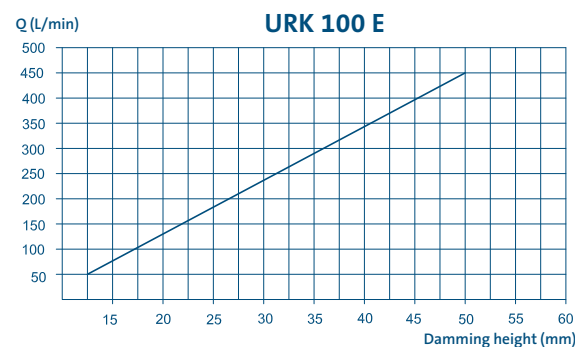
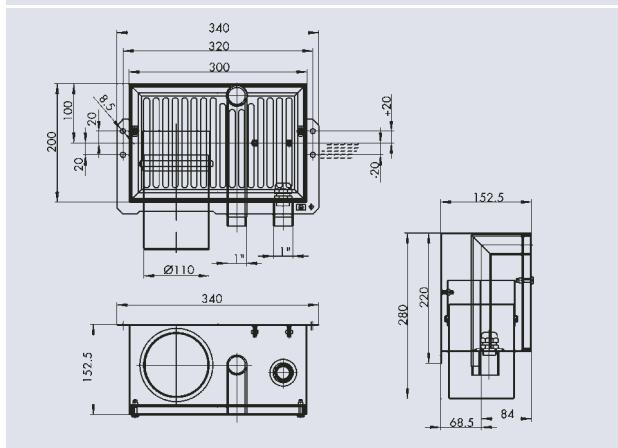
This is a three-in-one armature: It is an inlet armature, overflow armature, and at the same time it controls the water level – if equipped with an additional water level sensor.

The combination armature is preferably installed in the side pool wall below the pool edge cover. Installation is simple, the overflow duct fits into

the muff of the channel pipe. The fresh water feed pipe and the connection of the cable protection pipe for the water level sensor are connected to the appropriate threaded nipple via PE pipe unions. The overflow funnel can be pushed up or pushed down 20 mm to adjust to the water level.

Product characteristics at a glance

- Elegant combination of freshwater inlet and pool overflow
- Installation possibility for water-level sensor
- Water level can be corrected +/- 20 mm retroactively
- Completely made of stainless steel



Overflow wall-installation combination armature 100 E		
Dimensions (L x W x H)	[mm]	340 x 271 x 153
For pools with liner		no
Connection	[DN/inch]	100/1
Material		stainless steel
Weight	[kg]	6.1
Order no.		51120



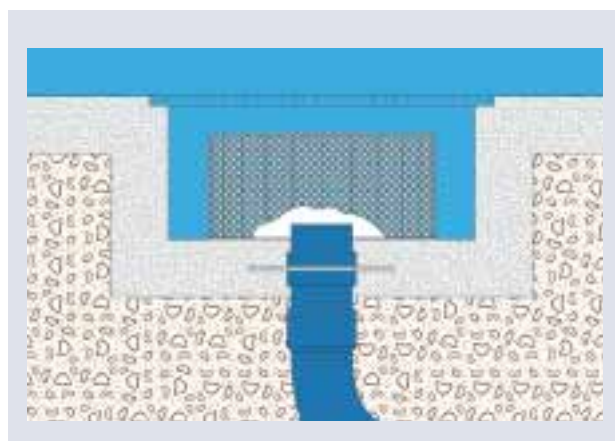
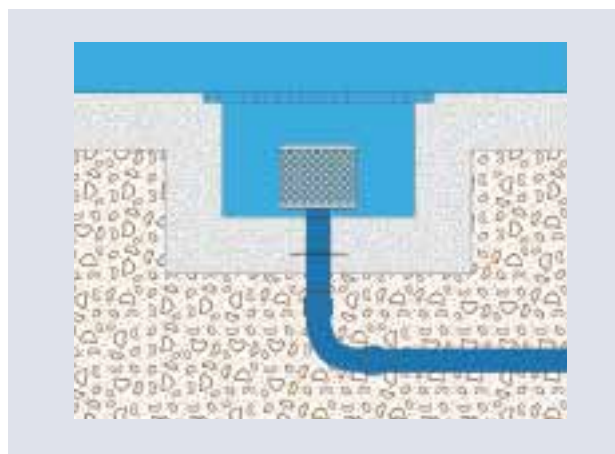
Fresh Water	Pool Water	Sea Water
		

SUCTION FILTER BASKETS 200/15 E TO 600/530/250 E

Suction filter baskets are mounted on the inlets of the suction lines to protect the pump/nozzle water circuit from coarse debris.

Product characteristics at a glance

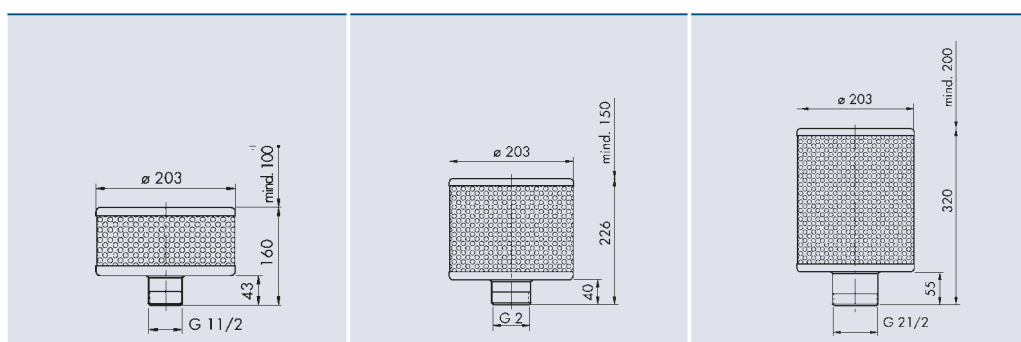
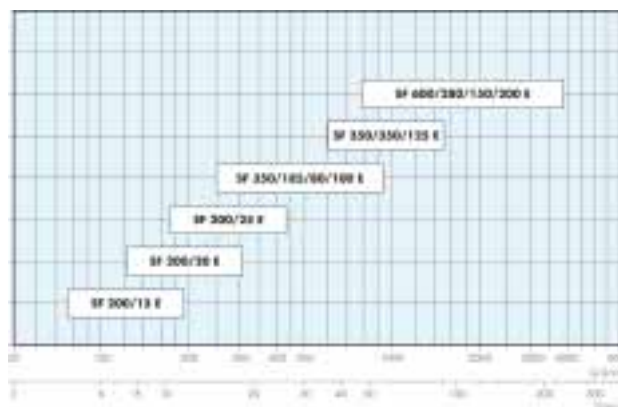
- Protects pump and nozzle from coarse debris
- Large filter surface
- Easy installation
- Solid and robust construction
- Corrosion resistant



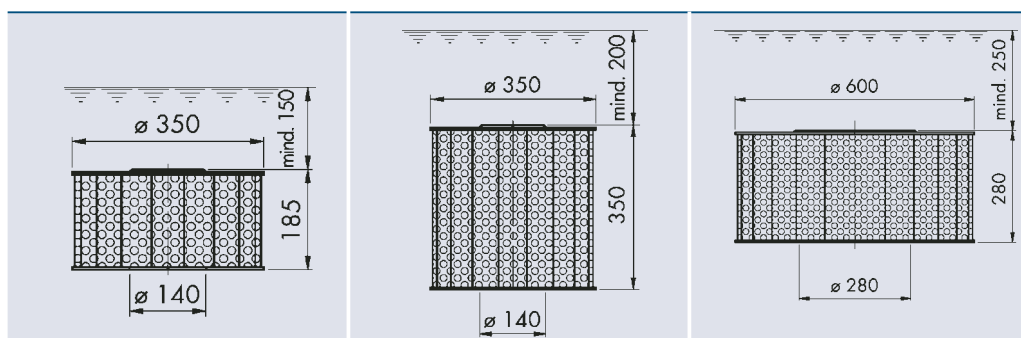
Suction filter baskets

The baskets are available in different sizes and have extra large filter surfaces that ensure a sufficiently long cleaning interval. In this regard the perforated filter plates for the medium-sized and large filter baskets have been folded multiple times in a star pattern. The stainless steel perforated plate has 4 mm holes.

The small suction filter baskets are screwed directly onto the pool floor channels. The medium and large baskets are simply placed over the suction line pipe that projects approximately 50 mm above the pool floor and permanently anchored.

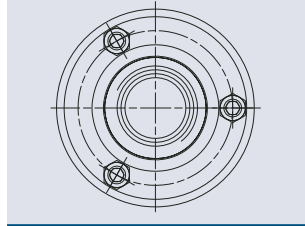
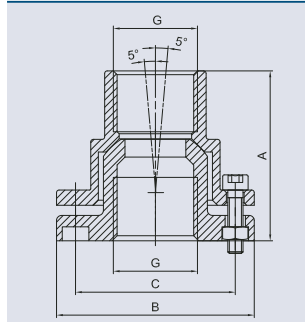


	Suction filter basket 200/100/15 E	Suction filter basket 200/166/20 E	Suction filter basket 200/250/25 E
Dimensions [ØxH mm]	203 x 160	203 x 226	203 x 320
DN [inch/mm]	1 ½"	2"	2 ½"
Filter surface [m²]	0.08	0.12	0.18
Particle strainer Ø [mm]	4.0	4.0	4.0
Material	stainless steel	stainless steel	stainless steel
Weight [kg]	1.1	1.5	1.8
Order no.	51082	51083	51084



	Suction filter basket 350/185/80/100 E	Suction filter basket 350/350/125 E	Suction filter basket 600/280/150/200 E
Dimensions [ØxH mm]	350 x 185	350 x 350	600 x 280
DN [inch/mm]	80/100	125	150/200
Filter surface [m²]	0.44	0.88	1.5
Particle strainer Ø [mm]	4.0	4.0	4.0
Material	stainless steel	stainless steel	stainless steel
Weight [kg]	9.5	11.5	43.1
Order no.	51753	54755	51756

SWIVEL CONNECTION

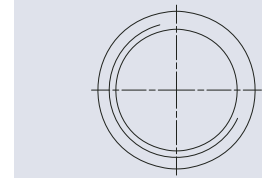
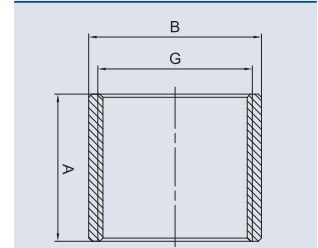
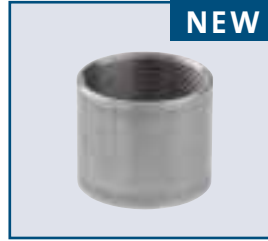


Product characteristics at a glance

- Adjustment for nozzles
- Silver optic
- Durable chrome and nickel plated brass

Swivel Connection silver		10	15	20
G	[inch]	1	1 ½	2
A	[mm]	70	75	88
B	[mm]	78	101	127
C	[mm]	63	80	104
Weight	[kg]	0.55	1.12	2.05
Order no.		51015	51016	51017

SLEEVE SILVER



Product characteristics at a glance

- Straight threading
- High-quality stainless steel

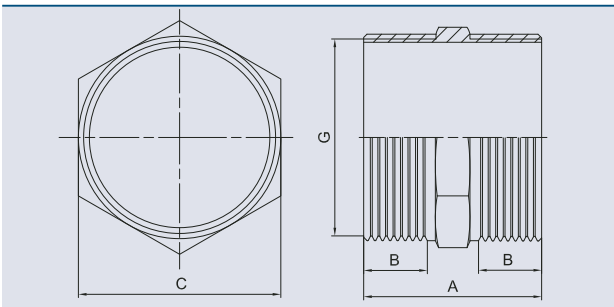
Sleeve Silver		10	15	20	30
A	[mm]	42.3	47.2	51.7	66.7
B	[mm]	38.0	53.5	66.0	95.0
G	[inch]	1	1 ½	2	3
Material		Stainless steel			
Weight	[kg]	0.09	0.16	0.25	0.63
Order no.		51018	51019	51020	51021

HEXAGON NIPPLE SILVER



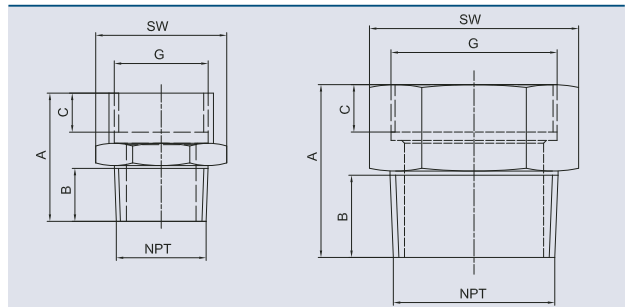
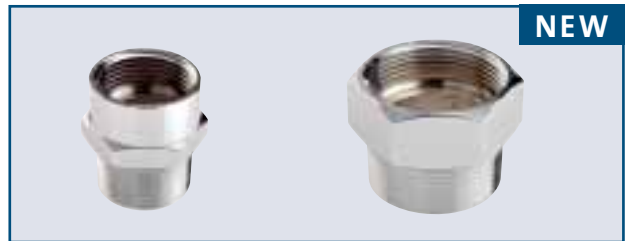
Product characteristics at a glance

- Straight threading
- High-quality stainless steel



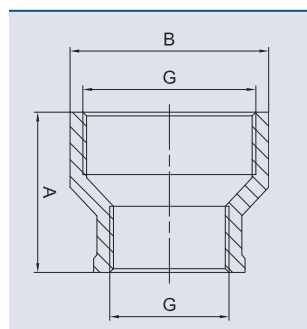
Hexagon Nipple Silver		10	15	20	30
G	[inch]	1	1 ½	2	3
A	[mm]	49	51.5	54.5	68
B	[mm]	20.4	20.7	22	27.5
C	[mm]	35	50	62	91
Material		Stainless steel			
Weight	[kg]	0.065	0.20	0.40	0.51
Order no.		51022	51023	51024	51025

ADAPTER G/NPT



Adapter		G10/NPT10	G15/NPT15	G20/NPT20	G30/NPT30
A	[mm]	43.2	46	62	78
B	[mm]	21	21	29	37
C	[mm]	14	14	17	20
SW	[mm]	36	50	60	90
G	[inch]	1	1 ½	2	3
Weight	[kg]	0.145	0.55	1.12	2.05
Order no.		51026	51027	51028	51029

REDUCING SLEEVE

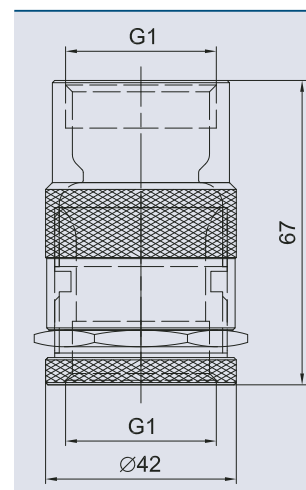


Product characteristics at a glance

- High-quality stainless steel
- Straight threading

Reducing Sleeve		15 x 10	20 x 15
A	[mm]	50	59
B	[mm]	57	70
G	[inch]	1 ½ - 1	2 - 1 ½
Weight	[kg]	0.175	0.225
Order no.		51032	51030

FLOW VALVE 10

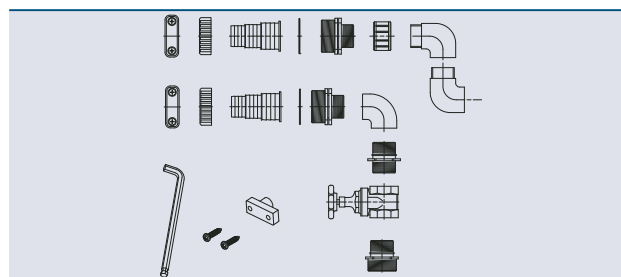


Product characteristics at a glance

- Flow regulator
- Use below nozzle
- High-quality stainless steel
- Straight threading

Flow Valve 10		
Dimensions	[mm]	Ø 42 x 67
Material		Stainless steel
Weight	[kg]	0.3
Order no.		51033

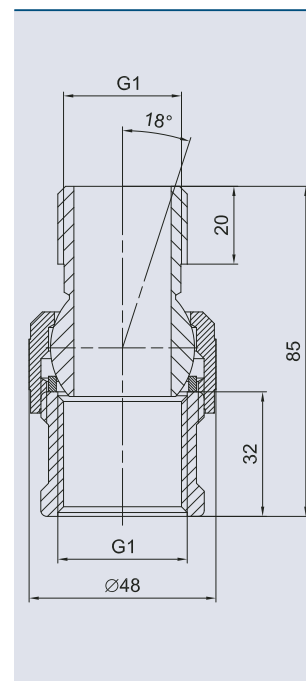
JUMPING JET RAINBOW STAR INSTALLATIONKIT



Scope of delivery

Jumping Jet Rainbow Star Installation Kit		
2	Flat gasket hose tail 1 ½"	
2	Coupling nut 1 ½" 40-20	
2	Stepped hose tail 1 ½" black	
1	Bush plastic 1"	
1	Bracket 90° G1 I-I plastic	
1	"Hexagonal Nipple R1"	
2	Red. Nippel 1 ½" AG to 1" AG	
1	MS. shut off gate valve 1" 290	
2	Screws V2A DIN 7981, 4,8 x 25	
1	Gland seal Rainbow Star	
1	Hexagon screwdriver 5mm	
1	Flat gasket 53 x 48 x 1, 5mm NBR/SBR 70Sh	
2	Elbow 90° G1 I-A plastic	
2	Hose clamp 20 – 32 mm	
2	Hose clamp 35 – 50 mm 1.4301	
1	Coupling nut 1 ½" 40 – 20	
1	1 Bush plastic 1"	
Weight	[kg]	0.84
Order no.		51058

SWIVEL BALL JOINT 10



Product characteristics at a glance

- Adjustment for nozzles
- Straight threading
- Durable chrome and nickel plated brass

Swivel ball joint 10		
Dimensions	[mm]	Ø 48 x 85
Material		Nickel plated brass
Weight	[kg]	0.37
Order no.		51165

ALPHABETICAL PRODUCT OVERVIEW

MISCELLANEOUS

ALPHABETICAL PRODUCT OVERVIEW

Order no.	Description	Page
51026	Adapter G 10 / NPT 10 Silver	196
51027	Adapter G 15 / NPT 15 Silver	196
51028	Adapter G 20 / NPT 20 Silver	196
51029	Adapter G 30 / NPT 30 Silver	196
50433	AFM filter medium	162
50183	AirFlo 1.5 kW / 230 V	146
50185	AirFlo 4.0 kW / 400 V	146
58904	AirNozzle	20
53913	Anemometer K	136
51093	Anti-algae agent ASS 100	166
50549	AquaActiv AlGo Direct 5 l	172
50545	AquaActiv AlGo Universal 5 l	172
50558	AquaActiv OptiPond 5 l	172
57477	AquaActiv PhosLess Refill pack	172
50555	AquaActiv PondClear 5 l	172
50561	AquaActiv SediFree 5 l	172
50571	AquaActiv Water analysis Profi-Set	172
57479	AquaAir 250	144
57487	AquaAir 250	144
56873	AquaMax Expert 20000	89
56874	AquaMax Expert 30000	89
56875	AquaMax Expert 40000	89
57091	AquaMax Gravity Eco 10000	88
57092	AquaMax Gravity Eco 15000	88
57093	AquaMax Gravity Eco 20000	88
56617	Aquarius Universal 5000	78
51038	Atlantis 100	79
52004	Atlantis 350	81
55351	Backwash Automatic Eurotronik	162
51165	Ball Joint 10	197
50562	BioKick CWS	172
57129	BioTec ScreenMatic 36	150
56902	Bitron C 110 W	148
50946	Bitron Gravity 55 W	148
37143	Bottom drain BD 100	153
57048	BT 1.1-65-4	84
57044	BT 1.5-50-4	84
57041	BT 2.2-40-4	84
57051	BT 3.0-80-4	84
57046	BT 4.0-50-4	84
57052	BT 4.0-80-4	84
57053	BT 5.5-80-4	84
57056	BT 7.5-100-4	84
57057	BT 11.0-100-4	84
57060	BT 15.0-125-4	84
51036	Buffer solution calibration set	166
51741	Cable transition 1/10 E	114
51740	Cable transition 2/15 E	114
57470	Cable transition 4/70 T	115
57464	Cable transition 7/100 T	115
57465	Cable transition 12/100 T	115
50911	Cascade 50 T	48
50912	Cascade 70 T	48
50915	Cascade 90 T	48
50916	Cascade 110 T	48
50917	Cascade 130 T	48
50434	Clear Fountain System	166
50959	Comet 3 - 5 T	28
50960	Comet 3 - 6 T	28
50964	Comet 5 - 8 T	28
50965	Comet 5 - 10 T	28
50968	Comet 10 - 12 T	28
50969	Comet 10 - 14 T	28
50970	Comet 15 - 17 T	28
50971	Comet 15 - 20 T	28
89012	Comet 3 - 6 T / NPT	28
89013	Comet 5 - 8 T / NPT	28
89014	Comet 5 - 10 T / NPT	28
89015	Comet 10 - 12 T / NPT	28
89016	Comet 10 - 14 T / NPT	28
89017	Comet 15 - 17 T / NPT	28
89018	Comet 15 - 20 T / NPT	28
50721	Comet 3 - 6 silver	26
50762	Comet 5 - 8 silver	26
50722	Comet 5 - 10 silver	26
50723	Comet 10 - 14 silver	26
50724	Comet 15 - 17 silver	26
50523	Comet Prec 20 - 20 silver	26

Order no.	Description	Page
50500	Command Center II 2 HP / 1 P	138
50502	Command Center II 5 HP / 3 P	138
57471	Concrete part 70 T	115
57467	Concrete part 100 T	115
12768	Connection cable 12 V AC / 1.0 m /01	118
12374	Connection cable 12 V AC / 3.0 m /01	118
12375	Connection cable 12 V AC / 7.5 m /01	118
11740	Connection cable 12 V AC / 15.0 m /01	118
12762	Connection cable 24 V DC / 1.0 m /01	118
12552	Connection cable 24 V DC / 3.0 m /01	118
12553	Connection cable 24 V DC / 7.5 m /01	118
11720	Connection cable 24 V DC / 15.0 m /01	118
12368	Connection cable DMX / 1.0 m /01	120
12369	Connection cable DMX / 3.0 m /01	120
12371	Connection cable DMX / 5.0 m /01	120
12372	Connection cable DMX / 10.0 m /01	120
12373	Connection cable DMX / 20.0 m /01	120
53428	Crystal quartz sand	162
51973	Debris sieve 70 E	184
51974	Debris sieve 100 E	184
50175	Easy Control	126
50289	Easy Control	126
51554	Electronic water level control 1	132
55846	Electronic water level control 2	132
12007	End resistant for BUS-system DMX/01	120
50728	Extension cable hybrid / 3.0 m	120
53056	Fan Jet 10 - 6 E	36
50524	Fan Jet 10-20-6 Silver	19
53047	Fan Jet 15 - 8 E	36
58975	Flashwall	22
51141	Floor/wall transition 10-175 E	190
51142	Floor/wall transition 15-175 E	190
51143	Floor/wall transition 20-175 E	190
52790	Floor/wall transition 40-175 E	190
51145	Floor/wall transition F 10-175 E	190
51146	Floor/wall transition F 15-175 E	190
51147	Floor/wall transition F 20-175 E	190
53013	Floor/wall transition F 40-175 E	190
51033	Flow Valve 10	197
50978	Freestand Light	110
50991	Geyser 20 T	52
50992	Geyser 40 T	52
50993	Geyser 60 T	52
50994	Geyser 80 T	52
50995	Geyser 100 T	52
50377	Geyser Jet 30	32
50767	Gushing nozzle 115 - 15 silver	36
54035	Halogen bulb 35 W	105
54036	Halogen bulb 50 W	105
54037	Halogen bulb 75 W	105
52939	Halogen reflector bulb 50W, 24°, white G53	105
51394	Halogen reflector bulb 50 W, 30°, white	107
52941	Halogen reflector bulb 75W, 24°, white G53	105
52942	Halogen reflector bulb 100 W, 10°, white	105
52943	Halogen reflector bulb 100 W, 24°, white	105
51022	Hexagon nippel 10 silver	196
51023	Hexagon nippel 15 silver	196
51024	Hexagon nippel 20 silver	196
51025	Hexagon nippel 30 silver	196
50375	High Jet 30	32
50966	Hollow Jet Nozzle 68	30
50973	Hollow Jet Nozzle 100	30
50963	Hollow Jet Nozzle 130	30
55350	Hollow Jet Nozzle 130	30
50479	Illumination set MIDI/MAXI/AirFlo LED/01	66
57083	Illumination set PondJet	66
51071	Illumination set PondJet	66
53086	Inflow nozzle 15 E	190
51058	Installation kit JumpingJet Rainbow Star	197
50528	Jumping Jet Rainbow Flash II /DMX/02	14
50345	JumpingJet Rainbow Star /DMX/01	12
50358	JunctionBox 14/M 20	116
57486	JunctionBox 8/M 20	116
50786	Lamp Holder	110
50884	Lava 25 - 5 E	33
50889	Lava 30-10 E	33
50890	Lava 45-10 E	33
51069	LED Modul II 960 / DMX / 02	18

Order no.	Description	Page
51108	Liner clamping flange 70 T	184
57474	Liner clamping flange 100 T KD	115
57473	Liner clamping flange 70 T KD	115
51117	Liner clamping flange 100 T	184
54034	LunAqua 10	104
50366	LunAqua 10 LED /01	102
57427	LunAqua 5.1	106
50365	MIDI II 1.1 kW / 230 V	62
50370	MIDI II 2.2 kW / 400 V	62
50371	MAXI II 4.0 kW / 400 V	62
50372	MIDI II 2 HP / 1 P / 230 V	62
50374	MAXI II 5 HP / 3 P / 230 V	62
50702	Multi Directional Drive II /DMX/02	18
52219	Mylar lace 4/025	56
52218	Mylar lace nozzle 22 MS	56
52220	Mylar lace weight 20/100 MS	56
50477	NozzleChamber Single	182
50478	NozzleChamber Vario	182
51120	Overfl. wall-inst. comb. armature 100 E	193
57469	Overflow/drain armature 70/1000 T	186
57463	Overflow/drain armature 100/1000 T	186
52602	Overflow/return box 100 E	192
51062	OxyPool 9,9 %	166
57468	Plug 70 T	184
57462	Plug 100 T	184
57075	PondJet	60
54019	PondJet	60
50492	PowerBox 12 V AC /01	118
50493	PowerBox 24 V DC /01	118
51064	ProfiClear Classic coarse debris extrac.	152
51065	ProfiClear Classic filter foam module	152
51066	ProfiClear Classic phosphate binder mod.	152
51061	ProfiClear Classic pump chamber	152
50775	ProfiClear Premium drum filter gravity	152
50773	ProfiClear Premium drum filter pump-fed	152
50771	ProfiClear Premium Individual Module	152
50772	ProfiClear Premium Moving Bed Module	152
50947	ProfiClear Premium replace. sieve 150 µ	158
50717	ProfiLux LED 320 /DMX/02	94
50718	ProfiRing LED 320 /DMX/02	96
50719	ProfiPlane LED 320 /DMX/02	98
56133	ProfiLux 101 E	104
50367	ProfiLux LED 370 12 V /01	102
50474	ProfiLux LED 370 24 V /01	102
50296	ProfiMax 7000	90
57097	Profinaut 6000	91
57134	ProfiSkim 100	170
58960	Projects LM	168
51032	Reducing sleeve 15 x 10	197
51030	Reducing sleeve 20 x 15	197
56812	Reflector bulb PAR 38, 12 V, 100 W, 30°	107
56636	Replacement bulb UVC 55 W	149
56737	Replacement foam blue BioTec 18 / 36	151
56736	Replacement foam red BioTec 18 / 36	151
51123	Return armature 200/100 T	188
50967	Rotating nozzle 5 - 15 E	42
50473	Rotating nozzle 5 - 30 E	42
50431	Sand filter D 600	162
50432	Sand filter D 800	162
50984	Schaumspudler 35 - 10 E	44
50986	Schaumspudler 55 - 10 E	44
50987	Schaumspudler 55 - 15 E	44
50768	Schaumspudler 75 - 20 silver	44
12808	Service Pack 12 V AC/01	119
12810	Service Pack 24 V DC/01	119
12807	Service Pack DMX/01	121
57480	Skimmer 250	171
57488	Skimmer 250	171
51018	Sleeve 10 silver	196
51019	Sleeve 15 silver	196
51020	Sleeve 20 silver	196
51021	Sleeve 30 silver	196
51557	Solenoid valve 1" 24 V	132
51556	Solenoid valve 1/2" 24 V	132
51034	Sonde Ph	166
51035	Sonde Redox	166
53834	SPA 22-23	86
53835	SPA 22-33	86
53839	SPA 35-23	86
53845	SPA 58-23	86
53846	SPA 58-33	86
53852	SPA 100-13	86

Order no.	Description	Page
53854	SPA 100-33	86
53858	SPA 162-1-13	86
53859	SPA 162-13	86
53860	SPA 162-2-23	86
53864	SPA 280-1-13	86
53865	SPA 280-13	86
53866	SPA 280-2-23	86
52981	Spiral hose green 1 1/2". 25 m	151
36500	Spiral hose green 2". 20 m	151
57466	Standpipe 100/500 T	188
50272	StrataFlo II 2 HP 230 V / 1 P / 60 Hz	146
50274	StrataFlo II 5 HP 230 V / 3 P / 60 Hz	146
51082	Suction filter basket 200/100/15 E	194
51083	Suction filter basket 200/166/20 E	194
51084	Suction filter basket 200/250/25 E	194
51753	Suction filter basket 350/185/80/100E	194
54755	Suction filter basket 350/350/125 E	194
51756	Suction filter basket 600/280/150/200E	194
55843	Supplemental electrode 2000-1	134
51341	Switchgear EL 100 W	124
51342	Switchgear EL 101 W	124
51343	Switchgear EL 110 W	124
51344	Switchgear EL 111 W	124
51015	Swivel connection 10 silver	196
51016	Swivel connection 15 silver	196
51017	Swivel connection 20 silver	196
50378	Trumpet Jet 30	40
51334	Underwater cable connector T 3	116
50720	Underwater LED Driver /DMX/02	100
50733	Underwater power supply 250 / 24 V /01	122
50401	Underwater transformer UST 150 /01	122
50517	Underwater transformer UST 150 /A/01	122
55721	USP 412 W	82
55720	USP 413 D	82
55727	USP 512 W	82
55726	USP 513 D	82
55732	USP 662 W	82
55731	USP 663 D	82
55735	USP 813 D	82
56506	USP H 673 D	82
56734	USP Classic 200	80
52904	UWS T 111	108
52909	UWS TS 111	108
51446	UWS TN 508	106
50136	Varionaut 90 24 V /DMX/02	70
50665	Varionaut 150 24 V /DMX/02	72
50343	Varionaut 150 /DMX/02	74
50526	Varionaut 365 /DMX/02	76
50309	Varionaut 1 /A/DMX/01	70
50344	Varionaut 2 /A/DMX/01	74
50253	VarioSwitch 010a / 12 V	16
57472	VarioSwitch 010a / 24 V	16
50254	VarioSwitch 015a / 12 V	16
57435	VarioSwitch 015a / 24 V	16
50376	Vulcan 30	40
50766	Vulcan 43 - 3 silver	41
50977	Vulcan 300 / 19 - 8 silver	41
54921	Wall Skimmer	164
50897	Water hemisphere 900	34
50898	Water hemisphere 1200	34
50899	Water hemisphere 1500	34
51762	Water hemisphere 2500	34
51763	Water hemisphere 3500	34
51764	Water hemisphere 6000	34
50894	Water sphere 900	34
50895	Water sphere 1200	34
50896	Water sphere 1500	34
51759	Water sphere 2500	34
51760	Water sphere 3500	34
51761	Water sphere 6000	34
51559	Water level sensor 20-3	134
53918	Water level sensor 20-4	134
55845	Water level sensor 2000-3/5	134
58970	Water Screen Nozzle	38
50596	WECS 1024	128
50597	WECS 2048	128
51838	Wind-dependent fountain control 3 K	136

PRODUCT OVERVIEW BY ORDER NO.



MISCELLANEOUS

PRODUCT OVERVIEW BY ORDER NO.

Order no.	Description	Page	Order no.	Description	Page
11720	Connection cable 24 V DC / 15.0 m /01	118	50720	Underwater LED Driver /DMX/02	100
11740	Connection cable 12 V AC / 15.0 m /01	118	50721	Comet 3 - 6 silver	26
12007	End resistant for BUS-system DMX/01	120	50722	Comet 5 - 10 silver	26
12368	Connection cable DMX / 1.0 m /01	120	50723	Comet 10 - 14 silver	26
12369	Connection cable DMX / 3.0 m /01	120	50724	Comet 15 - 17 silver	26
12371	Connection cable DMX / 5.0 m /01	120	50728	Extension cable hybrid / 3.0 m	120
12372	Connection cable DMX / 10.0 m /01	120	50733	Underwater power supply 250 / 24 V /01	122
12373	Connection cable DMX / 20.0 m /01	120	50762	Comet 5 - 8 silver	26
12374	Connection cable 12 V AC / 3.0 m /01	118	50766	Vulcan 43 - 3 silver	41
12375	Connection cable 12 V AC / 7.5 m /01	118	50767	Gushing nozzle 115 - 15 silver	36
12552	Connection cable 24 V DC / 3.0 m /01	118	50768	Schaumsprudler 75 - 20 silver	44
12553	Connection cable 24 V DC / 7.5 m /01	118	50771	ProfiClear Premium Individual Module	152
12762	Connection cable 24 V DC / 1.0 m /01	118	50772	ProfiClear Premium Moving Bed Module	152
12768	Connection cable 12 V AC / 1.0 m /01	118	50773	ProfiClear Premium drum filter pump-fed	152
12807	Service Pack DMX/01	121	50775	ProfiClear Premium drum filter gravity	152
12808	Service Pack 12 V AC/01	119	50786	Lamp Holder	110
12810	Service Pack 24 V DC/01	119	50884	Lava 25 - 5 E	33
36500	Spiral hose green 2". 20 m	151	50889	Lava 30-10 E	33
37143	Bottom drain BD 100	153	50890	Lava 45-10 E	33
50136	Varionaut 90 24 V /DMX/02	70	50894	Water sphere 900	34
50175	Easy Control	126	50895	Water sphere 1200	34
50183	AirFlo 1.5 kW / 230 V	146	50896	Water sphere 1500	34
50185	AirFlo 4.0 kW / 400 V	146	50897	Water hemisphere 900	34
50253	VarioSwitch 010a / 12 V	16	50898	Water hemisphere 1200	34
50254	VarioSwitch 015a / 12 V	16	50899	Water hemisphere 1500	34
50272	StrataFlo II 2 HP 230 V / 1 P / 60 Hz	146	50911	Cascade 50 T	48
50274	StrataFlo II 5 HP 230 V / 3 P / 60 Hz	146	50912	Cascade 70 T	48
50289	Easy Control	126	50915	Cascade 90 T	48
50296	ProfiMax 7000	90	50916	Cascade 110 T	48
50309	Varionaut 1 /A/DMX/01	70	50917	Cascade 130 T	48
50343	Varionaut 150 /DMX/02	74	50946	Bitron Gravity 55 W	148
50344	Varionaut 2 /A/DMX/01	74	50947	ProfiClear Premium replacem. sieve 150 µ	158
50345	JumpingJet Rainbow Star /DMX/01	12	50959	Comet 3 - 5 T	28
50358	JunctionBox 14/M 20	116	50960	Comet 3 - 6 T	28
50365	MIDI II 1.1 kW / 230 V	62	50963	Hollow Jet Nozzle 130	30
50366	LunAqua 10 LED /01	102	50964	Comet 5 - 8 T	28
50367	ProfiLux LED 370 12 V /01	102	50965	Comet 5 - 10 T	28
50370	MIDI II 2.2 kW / 400 V	62	50966	Hollow Jet Nozzle 68	30
50371	MAXI II 4.0 kW / 400 V	62	50967	Rotating nozzle 5 - 15 E	42
50372	MIDI II 2 HP / 1 P / 230 V	62	50968	Comet 10 - 12 T	28
50374	MAXI II 5 HP / 3 P / 230 V	62	50969	Comet 10 - 14 T	28
50375	High Jet 30	32	50970	Comet 15 - 17 T	28
50376	Vulcan 30	40	50971	Comet 15 - 20 T	28
50377	Geyser Jet 30	32	50973	Hollow Jet Nozzle 100	30
50378	Trumpet Jet 30	40	50977	Vulcan 300 / 19 - 8 silver	41
50401	Underwater transformer UST 150 /01	122	50978	Freestand Light	110
50431	Sand filter D 600	162	50984	Schaumsprudler 35 - 10 E	44
50432	Sand filter D 800	162	50986	Schaumsprudler 55 - 10 E	44
50433	AFM filter medium	162	50987	Schaumsprudler 55 - 15 E	44
50434	Clear Fountain System	166	50991	Geyser 20 T	52
50473	Rotating nozzle 5 - 30 E	42	50992	Geyser 40 T	52
50474	ProfiLux LED 370 24 V /01	102	50993	Geyser 60 T	52
50477	NozzleChamber Single	182	50994	Geyser 80 T	52
50478	NozzleChamber Vario	182	50995	Geyser 100 T	52
50479	Illumination set MIDI/MAXI/AirFlo LED/01	66	51015	Swivel connection 10 silver	196
50492	PowerBox 12 V AC /01	118	51016	Swivel connection 15 silver	196
50493	PowerBox 24 V DC /01	118	51017	Swivel connection 20 silver	196
50500	Command Center II 2 HP / 1 P	138	51018	Sleeve 10 silver	196
50502	Command Center II 5 HP / 3 P	138	51019	Sleeve 15 silver	196
50517	Underwater transformer UST 150 /A/01	122	51020	Sleeve 20 silver	196
50523	Comet Prec 20 - 20 silver	26	51021	Sleeve 30 silver	196
50524	Fan Jet 10-20-6 Silver	19	51022	Hexagon nippel 10 silver	196
50526	Varionaut 365 /DMX/02	76	51023	Hexagon nippel 15 silver	196
50528	Jumping Jet Rainbow Flash II /DMX/02	14	51024	Hexagon nippel 20 silver	196
50545	AquaActiv AlGo Universal 5 l	172	51025	Hexagon nippel 30 silver	196
50549	AquaActiv AlGo Direct 5 l	172	51026	Adapter G 10 / NPT 10 Silver	196
50555	AquaActiv PondClear 5 l	172	51027	Adapter G 15 / NPT 15 Silver	196
50558	AquaActiv OptiPond 5 l	172	51028	Adapter G 20 / NPT 20 Silver	196
50561	AquaActiv SediFree 5 l	172	51029	Adapter G 30 / NPT 30 Silver	196
50562	BioKick CWS	172	51030	Reducing sleeve 20 x 15	197
50571	AquaActiv Water analysis Profi-Set	172	51032	Reducing sleeve 15 x 10	197
50596	WECS 1024	128	51033	Flow Valve 10	197
50597	WECS 2048	128	51034	Sonde Ph	166
50665	Varionaut 150 24 V /DMX/02	72	51035	Sonde Redox	166
50702	Multi Directional Drive II /DMX/02	18	51036	Buffer solution calibration set	166
50717	ProfiLux LED 320 /DMX/02	94	51038	Atlantis 100	79
50718	ProfiRing LED 320 /DMX/02	96	51058	Installation kit JumpingJet Rainbow Star	197
50719	ProfiPlane LED 320 /DMX/02	98	51061	ProfiClear Classic pump chamber	152

Order no.	Description	Page
51062	OxyPool 9,9 %	166
51064	ProfiClear Classic coarse debris extrac.	152
51065	ProfiClear Classic filter foam module	152
51066	ProfiClear Classic phosphate binder mod.	152
51069	LED Modul II 960 / DMX / 02	18
51071	Illumination Set PondJet	66
51082	Suction filter basket 200/100/15 E	194
51083	Suction filter basket 200/166/20 E	194
51084	Suction filter basket 200/250/25 E	194
51093	Anti-algae agent ASS 100	166
51108	Liner clamping flange 70 T	184
51117	Liner clamping flange 100 T	184
51120	Overfl. wall-inst. comb. armature 100 E	193
51123	Return armature 200/100 T	188
51141	Floor/wall transition 10-175 E	190
51142	Floor/wall transition 15-175 E	190
51143	Floor/wall transition 20-175 E	190
51145	Floor/wall transition F 10-175 E	190
51146	Floor/wall transition F 15-175 E	190
51147	Floor/wall transition F 20-175 E	190
51165	Ball Joint 10	197
51334	Underwater cable connector T 3	116
51341	Switchgear EL 100 W	124
51342	Switchgear EL 101 W	124
51343	Switchgear EL 110 W	124
51344	Switchgear EL 111 W	124
51394	Halogen reflector bulb 50 W, 30°, white	107
51446	UWS TN 508	106
51554	Electronic water level control 1	132
51556	Solenoid valve 1/2" 24 V	132
51557	Solenoid valve 1" 24 V	132
51559	Water level sensor 20-3	134
51740	Cable transition 2/15 E	114
51741	Cable transition 1/10 E	114
51753	Suction filter basket 350/185/80/100E	194
51756	Suction filter basket 600/280/150/200E	194
51759	Water sphere 2500	34
51760	Water sphere 3500	34
51761	Water sphere 6000	34
51762	Water hemisphere 2500	34
51763	Water hemisphere 3500	34
51764	Water hemisphere 6000	34
51838	Wind-dependent fountain control 3 K	136
51973	Debris sieve 70 E	184
51974	Debris sieve 100 E	184
52004	Atlantis 350	81
52218	Mylar lace nozzle 22 MS	56
52219	Mylar lace 4/025	56
52220	Mylar lace weight 20/100 MS	56
52602	Overflow/return box 100 E	192
52790	Floor/wall transition 40-175 E	190
52904	UWS T 111	108
52909	UWS TS 111	108
52939	Halogen reflector bulb 50W,24°,white G53	105
52941	Halogen reflector bulb 75W,24°,white G53	105
52942	Halogen reflector bulb 100 W, 10°, white	105
52943	Halogen reflector bulb 100 W, 24°, white	105
52981	Spiral hose green 1 1/2". 25 m	151
53013	Floor/wall transition F 40-175 E	190
53047	Fan Jet 15 - 8 E	36
53056	Fan Jet 10 - 6 E	36
53086	Inflow nozzle 15 E	190
53428	Crystal quartz sand	162
53834	SPA 22-23	86
53835	SPA 22-33	86
53839	SPA 35-23	86
53845	SPA 58-23	86
53846	SPA 58-33	86
53852	SPA 100-13	86
53854	SPA 100-33	86
53858	SPA 162-1-13	86
53859	SPA 162-13	86
53860	SPA 162-2-23	86
53864	SPA 280-1-13	86
53865	SPA 280-13	86
53866	SPA 280-2-23	86
53913	Anemometer K	136
53918	Water level sensor 20-4	134
54019	PondJet	60
54034	LunAqua 10	104
54035	Halogen bulb 35 W	105
54036	Halogen bulb 50 W	105

Order no.	Description	Page
54037	Halogen bulb 75 W	105
54755	Suction filter basket 350/350/125 E	194
54921	Wall Skimmer	164
55350	Hollow Jet Nozzle 130	30
55351	Backwash Automatic Eurotronik	162
55720	USP 413 D	82
55721	USP 412 W	82
55726	USP 513 D	82
55727	USP 512 W	82
55731	USP 663 D	82
55732	USP 662 W	82
55735	USP 813 D	82
55843	Supplemental electrode 2000-1	134
55845	Water level sensor 2000-3/5	134
55846	Electronic water level control 2	132
56133	ProfiLux 101 E	104
56506	USP H 673 D	82
56617	Aquarius Universal 5000	78
56636	Replacement bulb UVC 55 W	149
56734	USP Classic 200	80
56736	Replacement foam red BioTec 18 / 36	151
56737	Replacement foam blue BioTec 18 / 36	151
56812	Reflector bulb PAR 38, 12 V, 100 W, 30°	107
56873	AquaMax Expert 20000	89
56874	AquaMax Expert 30000	89
56875	AquaMax Expert 40000	89
56902	Bitron C 110 W	148
57041	BT 2.2-40-4	84
57044	BT 1.5-50-4	84
57046	BT 4.0-50-4	84
57048	BT 1.1-65-4	84
57051	BT 3.0-80-4	84
57052	BT 4.0-80-4	84
57053	BT 5.5-80-4	84
57056	BT 7.5-100-4	84
57057	BT 11.0-100-4	84
57060	BT 15.0-125-4	84
57075	PondJet	60
57083	Illumination set PondJet	66
57091	AquaMax Gravity Eco 10000	88
57092	AquaMax Gravity Eco 15000	88
57093	AquaMax Gravity Eco 20000	88
57097	Profinaut 6000	91
57129	BioTec ScreenMatic 36	150
57134	ProfiSkim 100	170
57427	LunAqua 5.1	106
57435	VarioSwitch 015a / 24 V	16
57462	Plug 100 T	184
57463	Overflow/drain armature 100/1000 T	186
57464	Cable transition 7/100 T	115
57465	Cable transition 12/100 T	115
57466	Standpipe 100/500 T	188
57467	Concrete part 100 T	115
57468	Plug 70 T	184
57469	Overflow/drain armature 70/1000 T	186
57470	Cable transition 4/70 T	115
57471	Concrete part 70 T	115
57472	VarioSwitch 010a / 24 V	16
57473	Liner clamping flange 70 T KD	115
57474	Liner clamping flange 100 T KD	115
57477	AquaActiv PhosLess Refill pack	172
57479	AquaAir 250	144
57480	Skimmer 250	171
57486	JunctionBox 8/M 20	116
57487	AquaAir 250	144
57488	Skimmer 250	171
58904	AirNozzle	20
58960	Projects LM	168
58970	Water Screen Nozzle	38
58975	Flashwall	22
89012	Comet 3 - 6 T / NPT	28
89013	Comet 5 - 8 T / NPT	28
89014	Comet 5 - 10 T / NPT	28
89015	Comet 10 - 12 T / NPT	28
89016	Comet 10 - 14 T / NPT	28
89017	Comet 15 - 17 T / NPT	28
89018	Comet 15 - 20 T / NPT	28

EXPLANATORY NOTES



Patent applied for



Patented

Definition of product performance



= not applicable



= applicable

Fresh Water	Pool Water	Sea Water

Water quality

Types	Fresh Water	Pool Water	Sea Water
pH-Wert pH value Valeur pH Valor pH	7.2 - 7.6	7.2 - 7.6	8.0
Härte Hardness Dureté Cloro libre	8 - 15 DH	8 - 15 DH	20 - 30 DH
Freies Chlor Free chlorine Chlore libre Dureza	< 0.3 mg/l	0.3 - 0.6 mg/l	< 0.3 mg/l
Chloridgehalt Chloride concentration Teneur en chlorure Contenido de cloruro	< 250 mg/l	< 200 mg/l	22000 mg/l
Salzgehalt Salinity Teneur en sel Contenido de sal	–	–	< 4.0 %
Gesamt trockenrückstand total dry residue Résidu sec total Residuo seco total	< 50 mg/l	< 50 mg/l	< 250 mg/l
Temperatur Temperature Température Temperatura	4° - 35° C	4° - 30° C	4° - 20° C

DMX	DMX/RDM	Plug and Spray



DMX is a communication protocol (Digital Multiplex). This product can use the Unidirectional DMX communication.



DMX/RDM The DMX-Bus now is bidirectional. This is possible because of the protocol expansion RDM (Remote Device Management). This product can use the Bidirectional DMX communication. The connecting technique stays unchanged (more on page 130).

Plug and Spray Through the special connection Technology for cables, wiring by hand is no longer necessary. Put the plug in the plug socket and fix them with the two screws to make it waterproof (IP68).

Water quality

Types	Fresh Water	Pool Water	Sea Water
pH-Wert pH value Valeur pH Valor pH	7.2 - 7.6	7.2 - 7.6	8.0
Härte Hardness Dureté Cloro libre	8 - 15 DH	8 - 15 DH	20 - 30 DH
Freies Chlor Free chlorine Chlore libre Dureza	< 0.036 moz/gal	0.036 - 0.072 moz/gal	< 0.036 moz/gal
Chloridgehalt Chloride concentration Teneur en chlorure Contenido de cloruro	< 30.28 moz/gal	< 24.2 moz/gal	2664.6 moz/gal
Salzgehalt Salinity Teneur en sel Contenido de sal	–	–	< 4.0 %
Gesamt trockenrückstand total dry residue Résidu sec total Residuo seco total	< 6.06 moz/gal	< 6.06 moz/gal	< 30.28 moz/gal
Temperatur Temperature Température Temperatura	39° - 95° F	39° - 86° F	39° - 68° F

NEW PRODUCT NAMES FROM 01.01.2012

Part Number	Description – old	Description – new	Remarks
50367	Profilux LED 12 V /01	Profilux LED 370 12 V /01	Lumen inside the product name
50474	Profilux LED 24 V /01	Profilux LED 370 24 V /01	Lumen inside the product name
50136	Varionaut 1 24V / DMX / 01	Varionaut 90 24V / DMX / 02	Flowrate l/min
50665	Varionaut 2 24V / DMX / 02	Varionaut 150 24V / DMX / 02	Flowrate l/min
50343	Varionaut 2 / DMX / 02	Varionaut 150 / DMX / 02	Flowrate l/min
50526	Varionaut 3 / DMX / 02	Varionaut 365 / DMX / 02	Flowrate l/min
51165	SWIVEL, BALLJOINT 1" SS	Ball Joint 10	
50376	Grand Vulcan 3"	Vulcan 30	
50378	Trumpet Jet 3"	Trumpet Jet 30	
50375	High Jet 3"	High Jet 30	
50377	Geyser Jet 3"	Geyser Jet 30	
54921	OASE-SKIMMER TYP 250 E	Wall Skimmer	
56734	USP Classic 70	USP Classic 200	Flowrate l/min
52004	Atlantis 200	Atlantis 350	Flowrate l/min

ABBREVIATIONS

A. Area	MA. Material
AF. Filter area	MBD. Minimum pool diameter
ASW. Beam angle	n. Speed
b, b1, b2, b3. Width	O. Surface
d, d1, d2, d3. Diameter	p. pressure
Da. Diameter external	P. Power
DAS. Nozzle delivery jet diameter	PH. Parabola height
DD. Diameter pressure connection	PH%. Parabola height in percent
DDB. Nozzle pressure requirement	PN. Nominal pressure
DDG. Nozzle diameter (greatest)	PW. Parabola width
Di. Diameter interior	Q. Flow, volume flow
DID. Nozzle injector diameter	r. Radius
DN. Nominal diameter	R. Electrical resistance
DNa. Nominal diameter output	RRW. Pipe frictional resistance
DNe. Nominal diameter input	SB. Slot width
DS. Diameter suction connection	SL. Slot length
DAW. Nozzle adjustment angle	SPB. Spray width
DSD. Nozzle spray diameter	s. Thickness
DWB. Nozzle water requirement	t. Time, time-frame, duration
E. Luminous intensity	U. Voltage
FH. Fountain height	v. Flow velocity
FL. Flange	V= Direct current
G. Thread	w. Distance to water level
GW. Weight	x, x1, x2, x3. Distance general
h, h1, h2, h3. Height	z. Quantity general
H. Pump delivery head	za. Number of outlets
I. Current strength	zd. Number of nozzles
I. Light intensity	ze. Number of inlets
l, l1, l2, l3. Length	zl. Number of holes
KD. Calyx diameter	zp. Number of pumps
KH. Calyx height	zs. Number of spotlights
LW. Clear opening	

CONVERSION TABLES

Liter			
1,0	l (Liter)	= 0,2642	US Gal (gallon)
1,0	US Gal (gallon)	= 3,7851	l (Liter)
1,0	l (Liter)	= 0,2200	UK Gal
1,0	UK Gal	= 4,5460	l (Liter)
Liter pro minute			
1,0	l (Liter)/ min	= 15,8520	US Gph (gallons per hour)
1,0	US Gph (gallon per hour)	= 0,0631	l (Liter)/ min
1,0	l (Liter) / min	= 13,2000	UK Gph (gallons per hour)
1,0	UK Gph (gallon per hour)	= 0,0758	l (Liter) / min
Meter/Kilometer			
1,0	m (Meter)	= 3,2810	ft (feet)
1,0	ft (foot)	= 0,3048	m (Meter)
1,0	m (Meter)	= 39,3700	In. (Inch)
1,0	In. (Inch)	= 0,0254	m (Meter)
1,0	m (Meter)	= 1,0936	yd (Yard)
1,0	yd (Yard)	= 0,9144	m (Meter)
1,0	km (Kilometer)	= 0,5310	nmi (Nautic Miles (Int))
1,0	nmi (Nautic Mile (Int))	= 1,8520	km (Kilometer)
Quadratmeter			
1,0	m ² (Quadratmeter)	= 10,7527	sq.ft (square feet)
1,0	sq.ft (square foot)	= 0,0930	m ² (Quadratmeter)
1,0	ha = 10000 m ²	= 2,4691	acres
1,0	acre	= 0,4050	ha (Hektar)
Kilogramm			
1,0	kg (Kilogramm)	= 2,2046	lb. (pound) avdp
1,0	avdo. lb.	= 0,4536	kg (Kilogramm)
Kilowatt			
1,0	kW (Kilowatt)	= 1,3410	hp (horsepower)
1,0	hp (horsepower)	= 0,7457	kW (Kilowatt)
Grad			
0,0	°C (Grad Celsius)	= 32	°F (Grad Fahrenheit)
20,0	°C (Grad Celsius)	= 68	°F (Grad Fahrenheit)
0,0	°F (Grad Fahrenheit)	= -17,8	°C (Grad Celsius)
50,0	°F (Grad Fahrenheit)	= 10,0	°C (Grad Celsius)
A	To compute Fahrenheit:	Multiply Centigrade by 1,8 and add 32	
B	To compute Centigrade:	Subtract 32 from Fahrenheit and divide by 1,8	



FOUNTAINS & LAKES (INTERNATIONAL, ORDER-RELATED)

Order no.	Description	Packing unit
50338	BEST LED /DMX/01	5
57038	BT 0.55-40-4	1
57039	BT 0.75-40-4	1
57040	BT 1.1-40-4	1
57043	BT 1.1-50-4	1
57049	BT 1.5-65-4	1
57058	BT 15.0-100-4	1
57059	BT 18.5-100-4	1
57061	BT 18.5-125-4	1
57050	BT 2.2-80-4	1
57062	BT 22.0-125-4	1
57042	BT 3.0-40-4	1
57045	BT 3.0-50-4	1
57055	BT 5.5-100-4	1
57047	BT 5.5-50-4	1
57054	BT 7.5-80-4	1
56129	Colour lens blue, LunAqua 10	10
56131	Colour lens green, LunAqua 10	10
56132	Colour lens red, LunAqua 10	10
56130	Colour lens yellow, LunAqua 10	10
51440	Colour lens for UWS TN 508, blue	10
51442	Colour lens for UWS TN 508, green	10
51439	Colour lens for UWS TN 508, red	10
51441	Colour lens for UWS TN 508, yellow	10
56780	Comet 10 - 12 T long	5
50218	Comet 10 - 14 T long	5
50957	Comet 3 - 3 T	20
50958	Comet 3 - 4 T	20
50143	FlexyJet 6	1

Order no.	Description	Packing unit
51006	Fountain ring 1000/36/4	1
51008	Fountain ring 1500/54/4	1
51010	Fountain ring 2000/72/4	1
51002	Fountain ring 500/18/4	1
51004	Fountain Ring 750/24/4	1
50972	Hollow Jet Nozzle HS 70/3,5 E	1
50212	Illumination set FlexyJet	1
50360	JunctionBox 10/M 20/Trafo	2
57485	JunctionBox 4/M 32	2
50892	Lava 100-15 E	3
50891	Lava 60 - 10 E	3
50334	NozzleStar LED /DMX/01	5
53853	SPA 100-23, 3 x 400V / 50Hz, YD, 7,5kW	1
53836	SPA 22-43, 3 x 400V / 50Hz, 2,2kW	1
53840	SPA 35-33, 3 x 400V / 50Hz, 3,0kW	1
53841	SPA 35-43, 3 x 400V / 50Hz, 4,0kW	1
53847	SPA 58-43, 3 x 400V / 50Hz, YD, 7,5kW	1
50336	TwinStar LED /DMX/01	5
56502	USP H 422 W, 1 x 230V / 50Hz, 0,92kW	2
56503	USP H 423 D, 3 x 400V / 50Hz, 0,98kW	2
56504	USP H 522 W, 1 x 230V / 50Hz, 1,27kW	2
56505	USP H 523 D, 3 x 400V / 50Hz, 1,28kW	2
57288	UWS K 300	10
51984	Reflector bulb PAR56, 12V, 300W, 36-18°	10
50999	Vulkan 200/19-6 T	2

OASE-COMMERCIAL QUICKFINDER

MISCELLANEOUS

OASE-COMMERCIAL QUICKFINDER

Order no.	Product name	Fresh Water	Pool Water	Sea Water	220-240 V	400 V	110-120 V	50 Hz	60 Hz	12 V AC	24 V DC	DMX	DMX/RDM	Plug and Spray	Page
Nozzles															
58904	AirNozzle														20
50911	Cascade 50 T														48
50912	Cascade 70 T														48
50915	Cascade 90 T														48
50916	Cascade 110 T														48
50917	Cascade 130 T														48
50721	Comet 3 - 6 silver														26
50762	Comet 5 - 8 silver														26
50722	Comet 5 - 10 silver														26
50723	Comet 10 - 14 silver														26
50724	Comet 15 - 17 silver														26
50523	Comet Prec 20 - 20 silver														26
50959	Comet 3 - 5 T														28
50960	Comet 3 - 6 T														28
50964	Comet 5 - 8 T														28
50965	Comet 5 - 10 T														28
50968	Comet 10 - 12 T														28
50969	Comet 10 - 14 T														28
50970	Comet 15 - 17 T														28
50971	Comet 15 - 20 T														28
89012	Comet 3 - 6 T / NPT														28
89013	Comet 5 - 8 T / NPT														28
89014	Comet 5 - 10 T / NPT														28
89015	Comet 10 - 12 T / NPT														28
89016	Comet 10 - 14 T / NPT														28
89017	Comet 15 - 17 T / NPT														28
89018	Comet 15 - 20 T / NPT														28
53056	Fan Jet 10 - 6 E														36
53047	Fan Jet 15 - 8 E														36
58975	Flashwall														22
50991	Geyser 20 T														52
50992	Geyser 40 T														52
50993	Geyser 60 T														52
50994	Geyser 80 T														52
50995	Geyser 100 T														52
50377	Geyser Jet 30														32
50767	Gushing nozzle 115 - 15 silver														36
50375	High Jet 30														32
50966	Hollow Jet Nozzle 68														30
50973	Hollow Jet Nozzle 100														30
55350	Hollow Jet Nozzle 130														30
50963	Hollow Jet Nozzle 130														30
50528	JumpingJet Rainbow Flash II /DMX/02														14
50345	JumpingJet Rainbow Star /DMX/01														12
50884	Lava 25 - 5 E														33
50889	Lava 30-10 E														33
50890	Lava 45-10 E														33
51069	LED Modul II 960 / DMX / 02														18
50702	Multi Directional Drive II /DMX/02														18
52219	Mylar lace 4/025														56
52218	Mylar lace nozzle 22 MS														56
52220	Mylar lace weight 20/100 MS														56
50967	Rotating nozzle 5 - 15 E														42
50473	Rotating nozzle 5 - 30 E														42
50984	Schaumsprudler 35 - 10 E														

Order no.	Product name	Fresh Water	Pool Water	Sea Water	220-240 V	400 V	110-120 V	50 Hz	60 Hz	12 V AC	24 V DC	DMX	DMX/RDM	Plug and Spray	Page
50894	Water sphere 900	✓	✓	✓	✓	✓	✓	✓	✓	✓	✓	✓	✓	✓	34
50895	Water sphere 1200	✓	✓	✓	✓	✓	✓	✓	✓	✓	✓	✓	✓	✓	34
50896	Water sphere 1500	✓	✓	✓	✓	✓	✓	✓	✓	✓	✓	✓	✓	✓	34
51759	Water sphere 2500	✓	✓	✓	✓	✓	✓	✓	✓	✓	✓	✓	✓	✓	34
51760	Water sphere 3500	✓	✓	✓	✓	✓	✓	✓	✓	✓	✓	✓	✓	✓	34
51761	Water sphere 6000	✓	✓	✓	✓	✓	✓	✓	✓	✓	✓	✓	✓	✓	34
Floating Fountains															
50479	Illumination set MIDI/MAXI/AirFlo LED/01	✓	✓	✓	✓	✓	✓	✓	✓	✓	✓	✓	✓	✓	66
57083	Illumination set PondJet	✓	✓	✓	✓	✓	✓	✓	✓	✓	✓	✓	✓	✓	66
51071	Illumination set PondJet	✓	✓	✓	✓	✓	✓	✓	✓	✓	✓	✓	✓	✓	66
50371	MAXI II 4,0 kW / 400 V	✓	✓	✓	✓	✓	✓	✓	✓	✓	✓	✓	✓	✓	62
50374	MAXI II 5HP / 3-Phase	✓	✓	✓	✓	✓	✓	✓	✓	✓	✓	✓	✓	✓	62
50365	MIDI II 1,1 kW / 230 V	✓	✓	✓	✓	✓	✓	✓	✓	✓	✓	✓	✓	✓	62
50370	MIDI II 2,2 kW / 400 V	✓	✓	✓	✓	✓	✓	✓	✓	✓	✓	✓	✓	✓	62
50372	MIDI II 2HP / 230V 60Hz	✓	✓	✓	✓	✓	✓	✓	✓	✓	✓	✓	✓	✓	62
57075	PondJet	✓	✓	✓	✓	✓	✓	✓	✓	✓	✓	✓	✓	✓	60
54019	PondJet	✓	✓	✓	✓	✓	✓	✓	✓	✓	✓	✓	✓	✓	60
Pumps															
56873	AquaMax Expert 20000	✓	✓	✓	✓	✓	✓	✓	✓	✓	✓	✓	✓	✓	89
56874	AquaMax Expert 30000	✓	✓	✓	✓	✓	✓	✓	✓	✓	✓	✓	✓	✓	89
56875	AquaMax Expert 40000	✓	✓	✓	✓	✓	✓	✓	✓	✓	✓	✓	✓	✓	89
57091	AquaMax Gravity Eco 10000	✓	✓	✓	✓	✓	✓	✓	✓	✓	✓	✓	✓	✓	88
57092	AquaMax Gravity Eco 15000	✓	✓	✓	✓	✓	✓	✓	✓	✓	✓	✓	✓	✓	88
57093	AquaMax Gravity Eco 20000	✓	✓	✓	✓	✓	✓	✓	✓	✓	✓	✓	✓	✓	88
56617	Aquarius Universal 5000	✓	✓	✓	✓	✓	✓	✓	✓	✓	✓	✓	✓	✓	78
51038	Atlantis 100	✓	✓	✓	✓	✓	✓	✓	✓	✓	✓	✓	✓	✓	79
52004	Atlantis 350	✓	✓	✓	✓	✓	✓	✓	✓	✓	✓	✓	✓	✓	81
57048	BT 1.1-65-4	✓	✓	✓	✓	✓	✓	✓	✓	✓	✓	✓	✓	✓	84
57044	BT 1.5-50-4	✓	✓	✓	✓	✓	✓	✓	✓	✓	✓	✓	✓	✓	84
57041	BT 2.2-40-4	✓	✓	✓	✓	✓	✓	✓	✓	✓	✓	✓	✓	✓	84
57051	BT 3.0-80-4	✓	✓	✓	✓	✓	✓	✓	✓	✓	✓	✓	✓	✓	84
57046	BT 4.0-50-4	✓	✓	✓	✓	✓	✓	✓	✓	✓	✓	✓	✓	✓	84
57052	BT 4.0-80-4	✓	✓	✓	✓	✓	✓	✓	✓	✓	✓	✓	✓	✓	84
57053	BT 5.5-80-4	✓	✓	✓	✓	✓	✓	✓	✓	✓	✓	✓	✓	✓	84
57056	BT 7.5-100-4	✓	✓	✓	✓	✓	✓	✓	✓	✓	✓	✓	✓	✓	84
57057	BT 11.0-100-4	✓	✓	✓	✓	✓	✓	✓	✓	✓	✓	✓	✓	✓	84
57060	BT 15.0-125-4	✓	✓	✓	✓	✓	✓	✓	✓	✓	✓	✓	✓	✓	84
50296	Profimax 7000 USA	✓	✓	✓	✓	✓	✓	✓	✓	✓	✓	✓	✓	✓	90
57097	Profinaut 6000 USA	✓	✓	✓	✓	✓	✓	✓	✓	✓	✓	✓	✓	✓	91
53834	SPA 22-23	✓	✓	✓	✓	✓	✓	✓	✓	✓	✓	✓	✓	✓	86
53835	SPA 22-33	✓	✓	✓	✓	✓	✓	✓	✓	✓	✓	✓	✓	✓	86
53839	SPA 35-23	✓	✓	✓	✓	✓	✓	✓	✓	✓	✓	✓	✓	✓	86
53845	SPA 58-23	✓	✓	✓	✓	✓	✓	✓	✓	✓	✓	✓	✓	✓	86
53846	SPA 58-33	✓	✓	✓	✓	✓	✓	✓	✓	✓	✓	✓	✓	✓	86
53852	SPA 100-13	✓	✓	✓	✓	✓	✓	✓	✓	✓	✓	✓	✓	✓	86
53854	SPA 100-33	✓	✓	✓	✓	✓	✓	✓	✓	✓	✓	✓	✓	✓	86
53858	SPA 162-1-13	✓	✓	✓	✓	✓	✓	✓	✓	✓	✓	✓	✓	✓	86
53859	SPA 162-13	✓	✓	✓	✓	✓	✓	✓	✓	✓	✓	✓	✓	✓	86
53860	SPA 162-2-23	✓	✓	✓	✓	✓	✓	✓	✓	✓	✓	✓	✓	✓	86
53864	SPA 280-1-13	✓	✓	✓	✓	✓	✓	✓	✓	✓	✓	✓	✓	✓	86
53865	SPA 280-13	✓	✓	✓	✓	✓	✓	✓	✓	✓	✓	✓	✓	✓	86
53866	SPA 280-2-23	✓	✓	✓	✓	✓	✓	✓	✓	✓	✓	✓	✓	✓	86
55721	USP 412 W	✓	✓	✓	✓	✓	✓	✓	✓	✓	✓	✓	✓	✓	82
55720	USP 413 D	✓	✓	✓	✓	✓	✓	✓	✓	✓	✓	✓	✓	✓	82
55727	USP 512 W	✓	✓	✓	✓	✓	✓	✓	✓	✓	✓	✓	✓	✓	82
55726	USP 513 D	✓	✓	✓	✓	✓	✓	✓	✓	✓	✓	✓	✓	✓	82
55732	USP 662 W	✓	✓	✓	✓	✓	✓	✓	✓	✓	✓	✓	✓	✓	82
55731	USP 663 D	✓	✓	✓	✓	✓	✓	✓	✓	✓	✓	✓	✓	✓	82
55735	USP 813 D	✓	✓	✓	✓	✓	✓	✓	✓	✓	✓	✓	✓	✓	82
56506	USP H 673 D	✓	✓	✓	✓	✓	✓	✓	✓	✓	✓	✓	✓	✓	82
56734	USP Classic 200	✓	✓	✓	✓	✓	✓	✓	✓	✓	✓	✓	✓	✓	80
50136	Varionaut 90 24 V /DMX/02	✓	✓	✓	✓	✓	✓	✓	✓	✓	✓	✓	✓	✓	70
50309	Varionaut 1 /A/ DMX/01	✓	✓	✓	✓	✓	✓	✓	✓	✓	✓	✓	✓	✓	70
50665	Varionaut 150 24V / DMX /02	✓	✓	✓	✓	✓	✓	✓	✓	✓	✓	✓	✓	✓	72
50343	Varionaut 150 /DMX/02	✓	✓	✓	✓	✓	✓	✓	✓	✓	✓	✓	✓	✓	74
50344	Varionaut 2 /A/ DMX/01	✓	✓	✓	✓	✓	✓	✓	✓	✓	✓	✓	✓	✓	74
50526	Varionaut 365 /DMX/02	✓	✓	✓	✓	✓	✓	✓	✓	✓	✓	✓	✓	✓	76
Illumination															
50978	Freestand Light	✓	✓	✓	✓	✓	✓	✓	✓	✓	✓	✓	✓	✓	110
54035	Halogen bulb 35 W	✓	✓	✓	✓	✓	✓	✓	✓	✓	✓	✓	✓	✓	105
54036	Halogen bulb 50 W	✓	✓	✓	✓	✓	✓	✓	✓	✓	✓	✓	✓	✓	105
54037	Halogen bulb 75 W	✓	✓	✓	✓	✓	✓	✓	✓	✓	✓	✓	✓	✓	105
52942	Halogen reflector bulb 100 W, 10°, white	✓	✓	✓	✓	✓	✓	✓	✓	✓	✓	✓	✓	✓	105
52943	Halogen reflector bulb 100 W, 24°, white	✓	✓	✓	✓	✓	✓	✓	✓	✓	✓	✓	✓	✓	105
51394	Halogen reflector bulb 50 W, 30°, white	✓	✓	✓	✓	✓	✓	✓	✓	✓	✓	✓	✓	✓	107
52939	Halogen reflector bulb 50W,24°,white G53	✓	✓	✓	✓	✓	✓	✓	✓	✓	✓	✓	✓	✓	105
52941	Halogen reflector bulb 75W,24°,white G53	✓	✓	✓	✓	✓	✓	✓	✓	✓	✓	✓	✓	✓	105
50786	Lamp Holder	✓	✓	✓	✓	✓	✓	✓	✓	✓	✓	✓	✓	✓	110
54034	LunAqua 10	✓	✓	✓	✓	✓	✓	✓	✓	✓	✓	✓	✓	✓	104
50366	LunAqua 10 LED /01	✓	✓	✓	✓	✓	✓	✓	✓	✓	✓	✓	✓	✓	102
57427	LunAqua 5.1	✓	✓	✓	✓	✓	✓	✓	✓	✓	✓	✓	✓	✓	106
50717	ProfiLux LED 320 /DMX/02	✓	✓	✓	✓	✓	✓	✓	✓	✓	✓	✓	✓	✓	94
50718	ProfiRing LED 320 /DMX/02	✓	✓	✓	✓	✓	✓	✓	✓	✓	✓	✓	✓	✓	96

Order no.	Product name	Fresh Water	Pool Water	Sea Water	220-240 V	400 V	110-120 V	50 Hz	60 Hz	12 V AC	24 V DC	DMX	DMX/RDM	Plug and Spray	Page
50719	ProfiPlane LED 320 /DMX/02	✓	✓	✓	✓	✓	✓	✓	✓	✓	✓	✓	✓	✓	98
56133	ProfiLux 101 E	✓	✓	✓	✓	✓	✓	✓	✓	✓	✓	✓	✓	✓	104
50367	ProfiLux LED 370 12 V /01	✓	✓	✓	✓	✓	✓	✓	✓	✓	✓	✓	✓	✓	102
50474	ProfiLux LED 370 24 V /01	✓	✓	✓	✓	✓	✓	✓	✓	✓	✓	✓	✓	✓	102
56812	Reflector bulb PAR 38, 12V, 100 W, 30°	✓	✓	✓	✓	✓	✓	✓	✓	✓	✓	✓	✓	✓	107
50720	Underwater LED Driver /DMX/02	✓	✓	✓	✓	✓	✓	✓	✓	✓	✓	✓	✓	✓	100
52904	UWS T 111	✓	✓	✓	✓	✓	✓	✓	✓	✓	✓	✓	✓	✓	108
52909	UWS TS 111	✓	✓	✓	✓	✓	✓	✓	✓	✓	✓	✓	✓	✓	108
51446	UWS TN 508	✓	✓	✓	✓	✓	✓	✓	✓	✓	✓	✓	✓	✓	106
Power - Measure - Control - Regulate															
53913	Anemometer K	✓	✓	✓	✓	✓	✓	✓	✓	✓	✓	✓	✓	✓	136
51741	Cable transition 1/10 E	✓	✓	✓	✓	✓	✓	✓	✓	✓	✓	✓	✓	✓	114
51740	Cable transition 2/15 E	✓	✓	✓	✓	✓	✓	✓	✓	✓	✓	✓	✓	✓	114
57470	Cable transition 4/70 T	✓	✓	✓	✓	✓	✓	✓	✓	✓	✓	✓	✓	✓	115
57464	Cable transition 7/100 T	✓	✓	✓	✓	✓	✓	✓	✓	✓	✓	✓	✓	✓	115
57465	Cable transition 12/100 T	✓	✓	✓	✓	✓	✓	✓	✓	✓	✓	✓	✓	✓	115
50500	Command Center 2HP	✓	✓	✓	✓	✓	✓	✓	✓	✓	✓	✓	✓	✓	138
50502	Command Center 5HP / 3-Phase	✓	✓	✓	✓	✓	✓	✓	✓	✓	✓	✓	✓	✓	138
57471	Concrete part 70 T	✓	✓	✓	✓	✓	✓	✓	✓	✓	✓	✓	✓	✓	115
57467	Concrete part 100 T	✓	✓	✓	✓	✓	✓	✓	✓	✓	✓	✓	✓	✓	115
12768	Connection cable 12 V AC / 1,0 m /01	✓	✓	✓	✓	✓	✓	✓	✓	✓	✓	✓	✓	✓	118
12374	Connection cable 12 V AC / 3,0 m /01	✓	✓	✓	✓	✓	✓	✓	✓	✓	✓	✓	✓	✓	118
12375	Connection cable 12 V AC / 7,5 m /01	✓	✓	✓	✓	✓	✓	✓	✓	✓	✓	✓	✓	✓	118
11740	Connection cable 12 V AC / 15,0 m /01	✓	✓	✓	✓	✓	✓	✓	✓	✓	✓	✓	✓	✓	118
12762	Connection cable 24 V DC / 1,0 m /01	✓	✓	✓	✓	✓	✓	✓	✓	✓	✓	✓	✓	✓	118
12552	Connection cable 24 V DC / 3,0 m /01	✓	✓	✓	✓	✓	✓	✓	✓	✓	✓	✓	✓	✓	118
12553	Connection cable 24 V DC / 7,5 m /01	✓	✓	✓	✓	✓	✓	✓	✓	✓	✓	✓	✓	✓	118
11720	Connection cable 24 V DC / 15,0 m /01	✓	✓	✓	✓	✓	✓	✓	✓	✓	✓	✓	✓	✓	118
12368	Connection cable DMX / 1,0 m /01	✓	✓	✓	✓	✓	✓	✓	✓	✓	✓	✓	✓	✓	120
12369	Connection cable DMX / 3,0 m /01	✓	✓	✓	✓	✓	✓	✓	✓	✓	✓	✓	✓	✓	120
12371	Connection cable DMX / 5,0 m /01	✓	✓	✓	✓	✓	✓	✓	✓	✓	✓	✓	✓	✓	120
12372	Connection cable DMX / 10,0 m /01	✓	✓	✓	✓	✓	✓	✓	✓	✓	✓	✓	✓	✓	120
12373	Connection cable DMX / 20,0 m /01	✓	✓	✓	✓	✓	✓	✓	✓	✓	✓	✓	✓	✓	120
50175	Easy Control	✓	✓	✓	✓	✓	✓	✓	✓	✓	✓	✓	✓	✓	126
50289	Easy Control	✓	✓	✓	✓	✓	✓	✓	✓	✓	✓	✓	✓	✓	126
51554	Electronic water level control 1	✓	✓	✓	✓	✓	✓	✓	✓	✓	✓	✓	✓	✓	132
55846	Electronic water level control 2	✓	✓	✓	✓	✓	✓	✓	✓	✓	✓	✓	✓	✓	132
12007	End resistant for BUS-system DMX/01	✓	✓	✓	✓	✓	✓	✓	✓	✓	✓	✓	✓	✓	120
50728	Extension cable hybrid / 3,0 m	✓	✓	✓	✓	✓	✓	✓	✓	✓	✓	✓	✓	✓	120
57486	JunctionBox 8/M 20	✓	✓	✓	✓	✓	✓	✓	✓	✓	✓	✓	✓	✓	116
50358	JunctionBox 14/M 20	✓	✓	✓	✓	✓	✓	✓	✓	✓	✓	✓	✓	✓	116
57473	Liner clamping flange 70 T KD	✓	✓	✓	✓	✓	✓	✓	✓	✓	✓	✓	✓	✓	115
57474	Liner clamping flange 100 T KD	✓	✓	✓	✓	✓	✓	✓	✓	✓	✓	✓	✓	✓	115
50492	PowerBox 12 V AC /01	✓	✓	✓	✓	✓	✓	✓	✓	✓	✓	✓	✓	✓	118
50493	PowerBox 24 V DC /01	✓	✓	✓	✓	✓	✓	✓	✓	✓	✓	✓	✓	✓	118
12808	Service Pack 12 V AC/01	✓	✓	✓	✓	✓	✓	✓	✓	✓	✓	✓	✓	✓	119
12810	Service Pack 24 V DC/01	✓	✓	✓	✓	✓	✓	✓	✓	✓	✓	✓	✓	✓	119
12807	Service Pack DMX/01	✓	✓	✓	✓	✓	✓	✓	✓	✓	✓	✓	✓	✓	121
51556	Solenoid valve 1/2" 24 V	✓	✓	✓	✓	✓	✓	✓	✓	✓	✓	✓	✓	✓	132
51557	Solenoid valve 1" 24 V	✓	✓	✓	✓	✓	✓	✓	✓	✓	✓	✓	✓	✓	132
55843	Supplemental electrode 2000-1	✓	✓	✓	✓	✓	✓	✓	✓	✓	✓	✓	✓	✓	134
51341	Switchgear EL 100 W	✓	✓	✓	✓	✓	✓	✓	✓	✓	✓	✓	✓	✓	124
51342	Switchgear EL 101 W	✓	✓	✓	✓	✓	✓	✓	✓	✓	✓	✓	✓	✓	124
51343	Switchgear EL 110 W	✓	✓	✓	✓	✓	✓	✓	✓	✓	✓	✓	✓	✓	124
51344	Switchgear EL 111 W	✓	✓	✓	✓	✓	✓	✓	✓	✓	✓	✓	✓	✓	124
51334	Underwater cable connector T 3	✓	✓	✓	✓	✓	✓	✓	✓	✓	✓	✓	✓	✓	116
50733	Underwater power supply 250 / 24 V /01	✓	✓	✓	✓	✓	✓	✓	✓	✓	✓	✓	✓	✓	122
50401	Underwater transformer UST 150 /01	✓	✓	✓	✓	✓	✓	✓	✓	✓	✓	✓	✓	✓	122
50517	Underwater transformer UST 150 /A/01	✓	✓	✓	✓	✓	✓	✓	✓	✓	✓	✓	✓	✓	122
55845	Water level sensor 2000-3/5	✓	✓	✓	✓	✓	✓	✓	✓	✓	✓	✓	✓	✓	134
51559	Water level sensor 20-3	✓	✓	✓	✓	✓	✓	✓	✓	✓	✓	✓	✓	✓	134
53918	Water level sensor 20-4	✓	✓	✓	✓	✓	✓	✓	✓	✓	✓	✓	✓	✓	134
50596	WECS 1024	✓	✓	✓	✓	✓	✓	✓	✓	✓	✓	✓	✓	✓	128
50597	WECS 2048	✓	✓	✓	✓	✓	✓	✓	✓	✓	✓	✓	✓	✓	128
51838	Wind-dependent fountain control 3 K	✓	✓	✓	✓	✓	✓	✓	✓	✓	✓	✓	✓	✓	136
Water Quality															
50433	AFM filter medium	✓	✓	✓	✓	✓	✓	✓	✓	✓	✓	✓	✓	✓	162
50183	AirFlo 1,5 kW / 230 V	✓	✓	✓	✓	✓	✓	✓	✓	✓	✓	✓	✓	✓	146
50185	AirFlo 4,0 kW / 400 V	✓	✓	✓	✓	✓	✓	✓	✓	✓	✓	✓	✓	✓	146
51093	Anti-algae agent ASS 100	✓	✓	✓	✓	✓	✓	✓	✓	✓	✓	✓	✓	✓	166
50549	AquaActiv AlGo Direct 5 l	✓	✓	✓	✓	✓	✓	✓	✓	✓	✓	✓	✓	✓	172
50545	AquaActiv AlGo Universal 5 l	✓	✓	✓	✓	✓	✓	✓	✓	✓	✓	✓	✓	✓	172
50558	AquaActiv OptiPond 5 l	✓	✓	✓	✓	✓	✓	✓	✓	✓	✓	✓	✓	✓	172
57477	AquaActiv PhosLess Refill pack	✓	✓	✓	✓	✓	✓	✓	✓	✓	✓	✓	✓	✓	172
50561	AquaActiv SediFree 5 l	✓	✓	✓	✓	✓	✓	✓	✓	✓	✓	✓	✓	✓	172
50571	AquaActiv Wasseranalyse Profi-Set	✓	✓	✓	✓	✓	✓	✓	✓	✓	✓	✓	✓	✓	172
57479	AquaAir 250	✓	✓	✓	✓	✓	✓	✓	✓	✓	✓	✓	✓	✓	144
57487	AquaAir 250 / A	✓	✓	✓	✓	✓	✓	✓	✓	✓	✓	✓	✓	✓	144
55351	Backwash Automatic Eurotronik	✓	✓	✓	✓	✓	✓	✓	✓	✓	✓	✓	✓	✓	162
57129	BioTec ScreenMatic 36	✓	✓	✓	✓	✓	✓	✓	✓	✓	✓	✓	✓	✓	150
56902	Bitron C 110 W	✓	✓	✓	✓	✓	✓	✓	✓	✓	✓	✓	✓	✓	148
50946	Bitron Gravity 55 W	✓	✓	✓	✓	✓	✓	✓	✓	✓	✓	✓	✓	✓	148

Order no.	Product name	Fresh Water	Pool Water	Sea Water	220-240 V	400 V	110-120 V	50 Hz	60 Hz	12 V AC	24 V DC	DMX	DMX/RDM	Plug and Spray	Page
37143	Bottom drain BD 100														153
51036	Buffer solution calibration set														166
50434	Clear Fountain System														166
58960	Clear Lake System 250/500														168
58960	Clear Lake System 5000/20000														168
53428	Crystal quartz sand														162
51062	OxyPool														166
51064	ProfiClear Classic coarse debris extrac.														152
51065	ProfiClear Classic filter foam module														152
51066	ProfiClear Classic phosphate binder mod.														152
51061	ProfiClear Classic pump chamber														152
50775	ProfiClear Premium drum filter gravity														152
50773	ProfiClear Premium drum filter pump-fed														152
50771	ProfiClear Premium Individual Module														152
50772	ProfiClear Premium Moving Bed Module														152
57134	ProfiSkim 100														170
56636	Replacement bulb UVC 55 W														149
56737	Replacement foam blue BioTec 18 / 36														151
56736	Replacement foam red BioTec 18 / 36														151
50431	Sand filter D 600														162
50432	Sand filter D 800														162
57480	Skimmer 250														171
57488	Skimmer 250/A														171
51034	Sonde Ph														166
51035	Sonde Redox														166
52981	Spiral hose green 1 1/2", 25 m														151
36500	Spiral hose green 2", 20 m														151
50272	StrataFlo 2 2HP														146
50274	StrataFlo 2 5HP / 3-Phase														146
54921	Wall Skimmer														164
Accessories															
51026	Adapter G 10 / NPT 10														196
51027	Adapter G 15 / NPT 15														196
51028	Adapter G 20 / NPT 20														196
51029	Adapter G 30 / NPT 30														196
51165	Ball Joint 10														197
51973	Debris sieve 70 E														184
51974	Debris sieve 100 E														184
51141	Floor/wall transition 10-175 E														190
51142	Floor/wall transition 15-175 E														190
51143	Floor/wall transition 20-175 E														190
52790	Floor/wall transition 40-175 E														190
51145	Floor/wall transition F 10-175 E														190
51146	Floor/wall transition F 15-175 E														190
51147	Floor/wall transition F 20-175 E														190
53013	Floor/wall transition F 40-175 E														190
51033	Flow Valve 10														197
51022	Hexagon nippel 10 silver														196
51023	Hexagon nippel 15 silver														196
51024	Hexagon nippel 20 silver														196
51025	Hexagon nippel 30 silver														196
53086	Inflow nozzle 15 E														190
51058	Installation kit Jumpinglet Rainbow Star														197
51108	Liner clamping flange 70 T														184
51117	Liner clamping flange 100 T														184
50477	NozzleChamber Single														182
50478	NozzleChamber Vario														182
51120	Overfl. wall-inst. comb. armature 100 E														193
57469	Overflow/drain armature 70/1000 T														186
57463	Overflow/drain armature 100/1000 T														186
52602	Overflow/return Box 100 E														192
57468	Plug 70 T														184
57462	Plug 100 T														184
51032	Reducing sleeve 15 x 10														197
51030	Reducing sleeve 20 x 15														197
51123	Return armature 200/100 T														188
51018	Sleeve 10 silver														196
51019	Sleeve 15 silver														196
51020	Sleeve 20 silver														196
51021	Sleeve 30 silver														196
57466	Standpipe 100/500 T														188
51082	Suction filter basket 200/100/15 E														194
51083	Suction filter basket 200/166/20 E														194
51084	Suction filter basket 200/250/25 E														194
51753	Suction filter basket 350/185/80/100E														194
54755	Suction filter basket 350/350/125 E														194
51756	Suction filter basket 600/280/150/200E														194
51015	Swivel connection 10 silver														196
51016	Swivel connection 15 silver														196
51017	Swivel connection 20 silver														196

NOTES



MISCELLANEOUS

NOTES

OASE GmbH

Post Box 20 69
48469 Hörstel
Germany
☎ +49 5454 80-0
☎ +49 5454 80-322
✉ info.ft@oase-livingwater.com

**OASE (UK) LTD.**

3 Telford Gate
Whittle Road
West Portway Industrial Estate
Andover
Hampshire SP10 3SF
Great Britain
☎ +44 1264 3332 25
☎ +44 1264 3332 26
✉ enquiries@oase-livingwater.com

OASE B.V.

Dooren 107
1785 Merchtem
België/Belgique
☎ +31 900 246 22 10
☎ +31 800 023 01 86
✉ info.nl@oase-livingwater.com (NL)

OASE B.V.B.A.

Dooren 107
1785 Merchtem
België/Belgique
☎ +32 52 48 47 60
☎ +32 52 48 47 61
✉ info.be@oase-livingwater.com (B)

OASE S.A.

Avenue de la Marne
Parc du Molinel
Bât F – Rez de Chaussée
59290 WASQUEHAL
France
☎ +33 3 20 82 00 45
☎ +33 3 20 82 99 32
✉ info.fr@oase-livingwater.com

OASE Casa y Jardín S.L.

Polígono Sta. Ana
C/Polea 1
28522 Rivas Vaciamadrid
Spain
☎ +34 91 499 07 29
☎ +34 91 666 56 87
✉ info.es@oase-livingwater.com

OASE Kereskedelmi Kft

Buda Center
Budapest I
Hegyalja út 7-13
1016 Budapest
Hungary
☎ +36 1 393 50 40
☎ +36 1 393 50 41
✉ info.hu@oase-livingwater.com

OASE Spółka z o.o.

Al. Jerozolimskie 200
lok 538
02-486 Warszawa
Poland
☎ +48 2 23 23 71 13
☎ +48 2 23 23 71 15
✉ info.pl@oase-livingwater.com

OASE Türkiye

Bilezik Sok.
Lugal İşhanı A Blok 5/6
34427 Fındıklı/İSTANBUL
☎ +90 212 292 49 60
☎ +90 212 292 49 61
✉ info.tr@oase-livingwater.com

OASE Asia Pacific PTE Ltd.

7030 Ang Mo Kio Ave 5
#08-69
Northstar@Ang Mo Kio
Singapore 569880
☎ +65 6337 2838
☎ +65 6337 6878
✉ info@oase-livingwater.com.sg

OASE Middle East FZE

Dubai Airport Free Trade Zone
East Wing Building 1E Unit 301
P.O. Box 54966
Dubai, U.A.E
☎ +971 4 2994847
☎ +971 4 2994840
✉ uae@oase-livingwater.com.sg

OASE China

No.140 Tian Lin Road,
Surpass Space, Block 15, Unit T & U,
Xu Hui District
Shanghai 200233
☎ +86 21 3461 0672
☎ +86 21 3461 0703
✉ info@oase-livingwater.cn

OASE North America, Inc.

845 Palm Drive
Hermosa Beach
CA 90254
USA
☎ +1 800 365 3880
☎ +1 800 262 7339
✉ info@oase-livingwater.us

www.oase-livingwater.com