

COMPOSITE BALUSTRADE INSTALLATION GUIDE

ISSUE 1

2021



CONTENTS

- | | | |
|----|-----------------------------|---|
| 1. | System components | 2 |
| 2. | Preperation | 3 |
| 3. | Installation of newel posts | 3 |
| 4. | Preparing handrails | 4 |
| 5. | Installing spindles | 5 |
| 6. | Fix top handrail | 7 |



BE SAFE WHEN WORKING AT HEIGHT

Ensure you conform to the latest Work at Height Regulations. For more details, visit:
www.hse.gov.uk/work-at-height

If in doubt at any stage

Please contact the customer services department.



0800 988 7307



customercare@dæeplas.co.uk

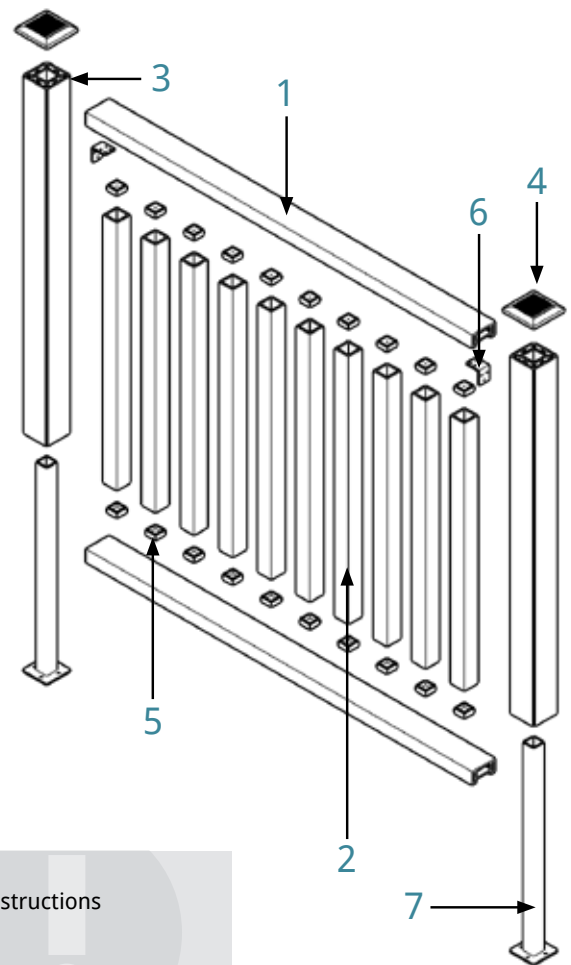
1. SYSTEM COMPONENTS

1.1



1. Handrail	1640 x 93 x 45mm	ECO09B(S/A/C/G/W)
2. Spindle	900 x 54 x 54mm	ECO11B(S/A/C/G/W)
3. Newel Post	2400 x 95 x 95mm	ECO07B(S/A/C/G/W)
4. Post Cap	115 x 115 x 50mm	ECO10C(S/A/C/G/W)
5. Spindle Inserts	37.5 x 37.5 x 15mm	ECO09SI
6. L-Brackets	50 x 50 x 40mm	ECO09LB
7. Bolt Down Support	700 x 95 x 95mm	ECO09BD

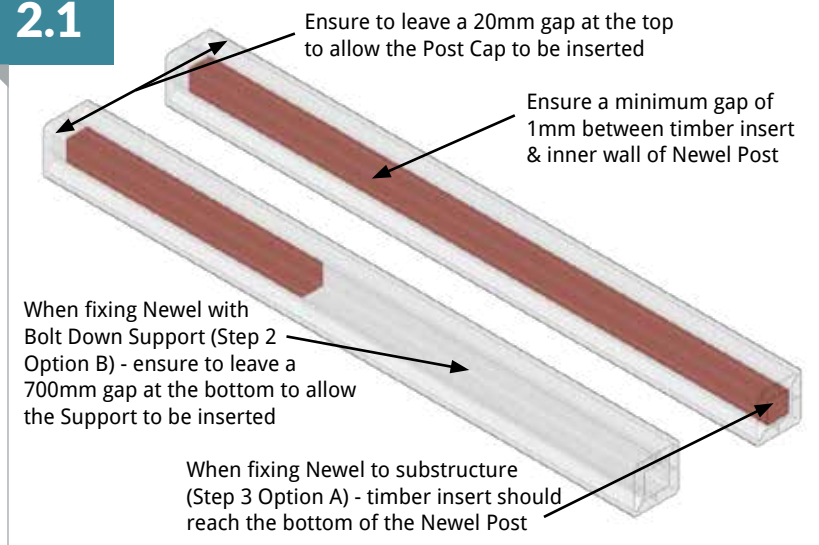
Nb: please read Deepplas 'composite decking installation guide' which contains full details relating to building of a suitable substructure for your decking. You should consult a professional to ensure your installation complies with current Building Regulations for differences in level greater than 600 mm.



Deepplas hold no responsibility for installations that are not carried out to instructions provided or inferior installations - Failure to install to these instructions will invalidate the product guarantee.

2. PREPARATION

2.1

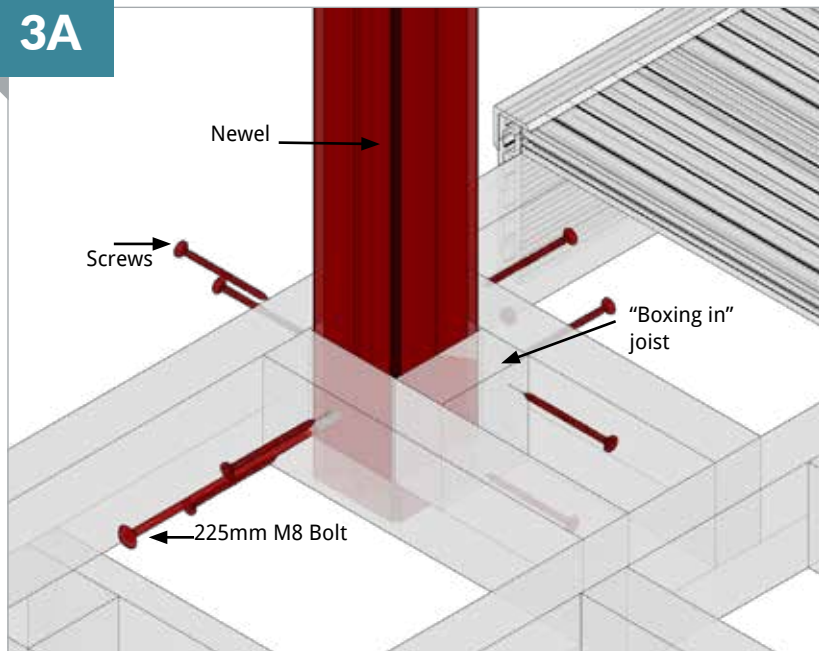


The Newel Post should first be cut to appropriate length, using a standard handsaw or chop saw. It is best practice to insert a piece of 44 x 44mm tanalised timber into the Newel to ensure a strong, durable connection when fixing.

The timber insert should be planed to allow a minimum of 1mm expansion gap between timber insert and inner wall of Newel Post. A 20mm gap must be left above to allow the Post Cap to fit into the Newel. If using Bolt Down Supports, a 700mm void should be left at the bottom to allow these to be inserted.

3. INSTALLATION OF NEWEL POSTS

3A



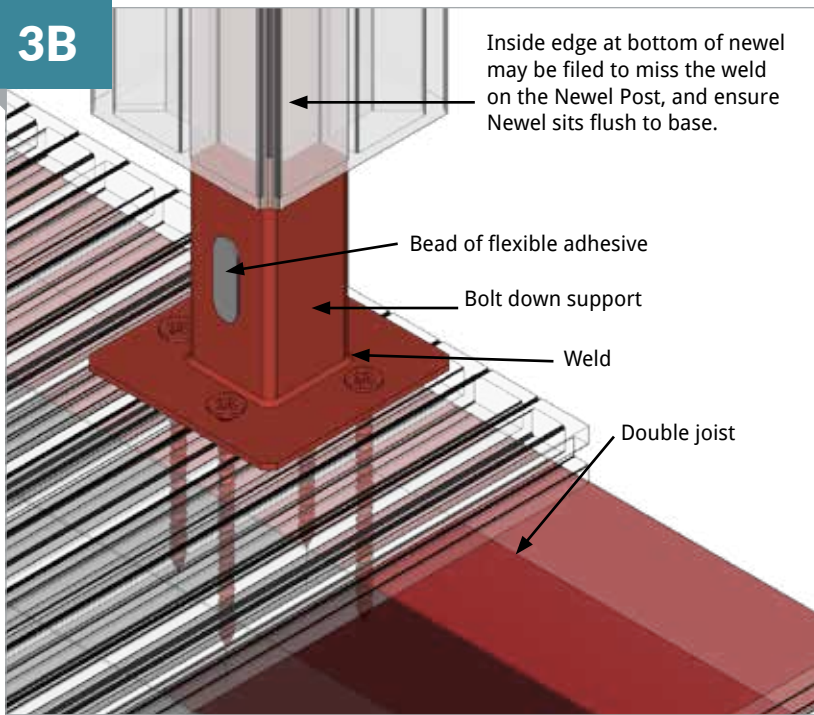
OPTION A - FIX NEWEL TO SUBSTRATE

When fixing Newel to the decking substructure, the Newel will need to be 'boxed in' using additional joist sections, to ensure the Newel has adequate support.

Once in position, check position of Newel, and check it is square.

The Newel can then be fixed to the substructure using an exterior grade M8 dome head coach bolt. Additional exterior screws should be fixed through the substructure into each face of the Newel. All fixings should be pre-drilled to minimise risk of splitting.

3B



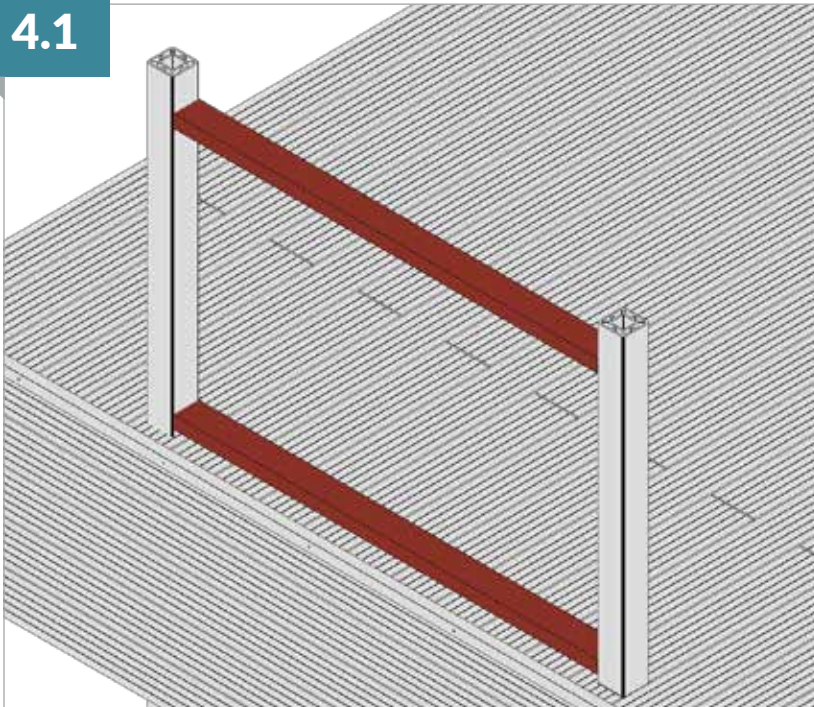
OPTION B - BOLT DOWN SUPPORT

For this method, use exterior grade 7.5mm x 100mm masonry screws to fix the Support through the decking boards and into the substructure joists below (a double joist will be required around the perimeter). All fixing holes should be pre-drilled to minimise risk of splitting. Before fitting the Newel, a bead of flexible adhesive should be applied to the Support to hold the Newel securely in place.

For a flush fit, the base of the Newel can be filed, to miss the Post Support weld, as shown. The Bolt Down Support can also be used to fit balustrade directly on to masonry, using suitable fixings for your particular substrate.

4. PREPARING HANDRAILS

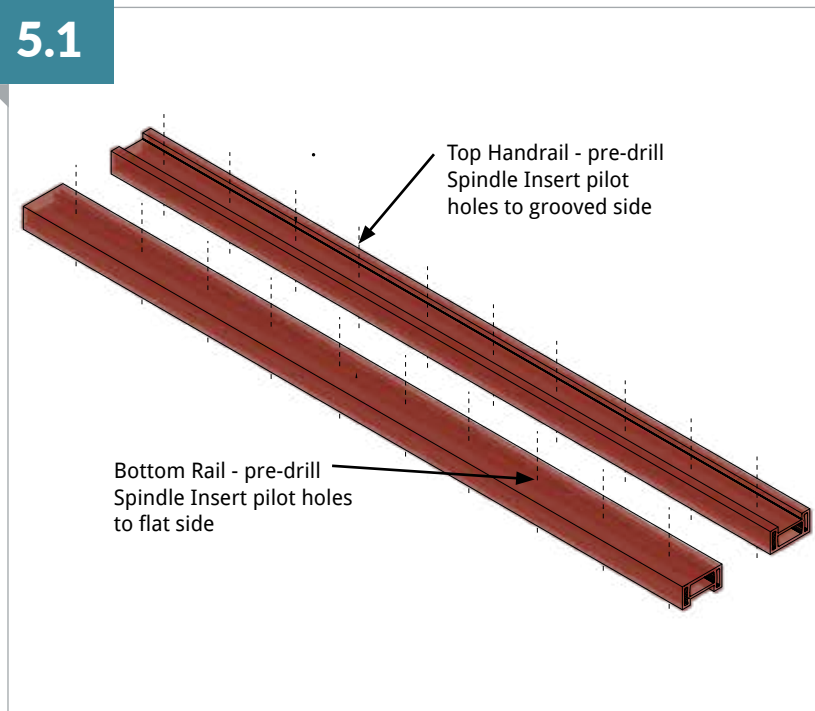
4.1



Composite Balustrade Handrail (Part No. ECO09B(S/A/C/G/W)) should be used to form both a top handrail, and a bottom rail. These sit between the Newel Posts and form the frame to hold the spindles. If the gap between each Newel Post is less than 1640mm, it will be necessary to cut the top and bottom handrail to size to ensure they fit exactly between the Newel Posts. Cutting can be done with a standard handsaw or chop saw.

5. INSTALLING SPINDLES

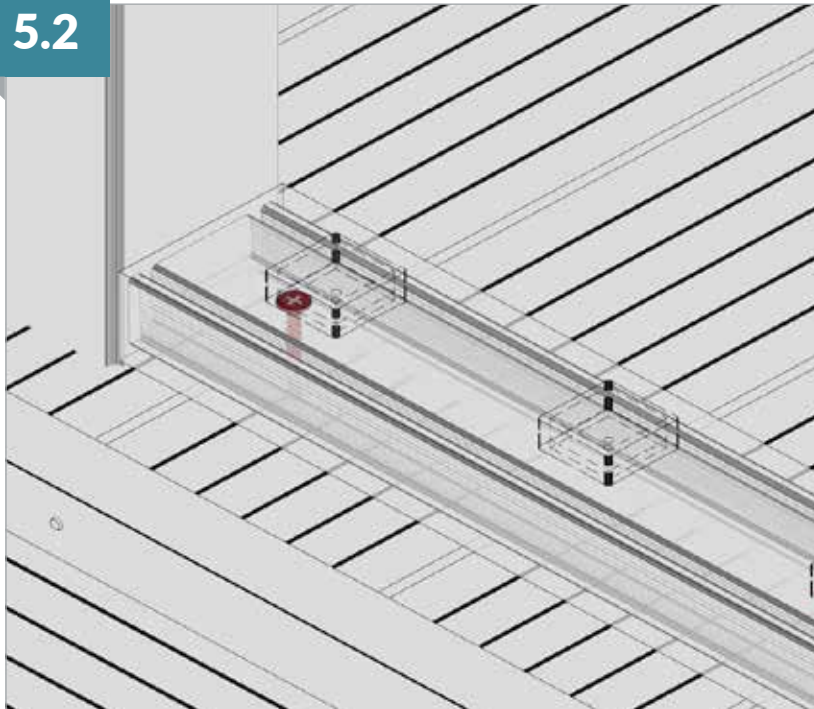
5.1



Spindles should be spaced equally between Newel Posts, placed at centres of no more than 99mm to comply with Building Regulations. Once Handrails have been cut and preferred interval has been chosen, the position of each spindle should be marked on the handrail. Corresponding pilot holes for spindle inserts can then be drilled at the centre point of each spindle, ready for fixing.

Ensure that both top and bottom rails are oriented to have the grooved side facing downward - this helps to avoid water pooling, which could cause damage over time.

5.2

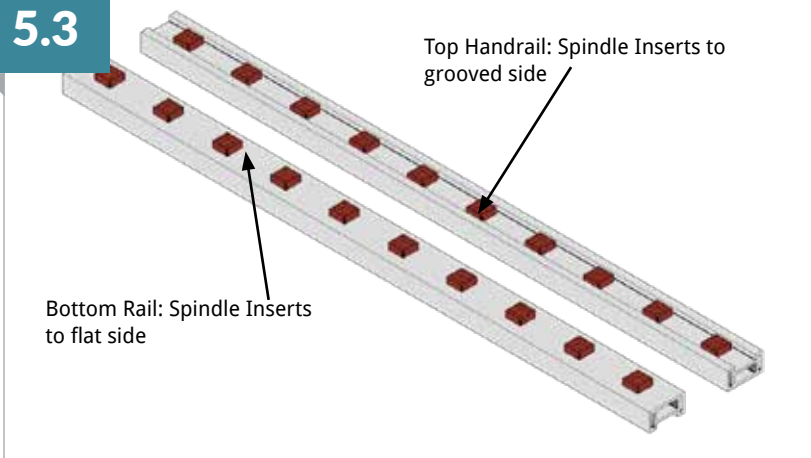


Before spindle inserts are fixed, the bottom Handrail should be screwed down to the substructure through the deck - using a 7.5mm x 100mm masonry frame fixing screw, or similar.

For the best visual effect, the fixing screw should be countersunk into the Handrail, in such a position that it will be hidden by Spindle Insert, once this is in place.

All screws should have pilot holes pre-drilled to minimise risk of splitting.

5.3

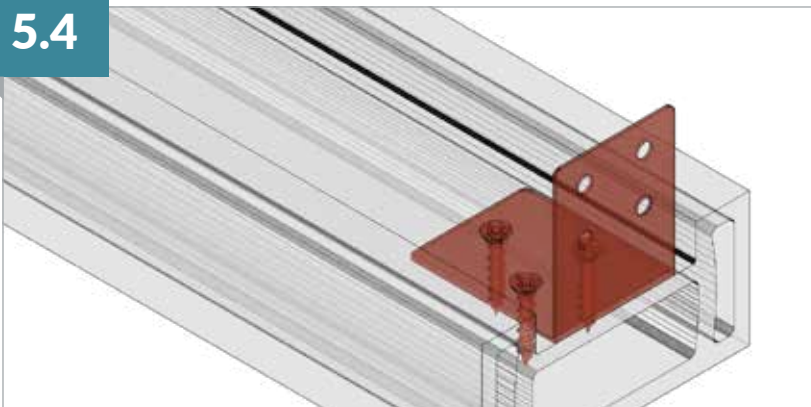


Spindle inserts can now be screwed into the handrail - using a good quality 3.5 x 25mm exterior grade screw.

Ensure Spindle inserts are fitted square, as they will determine the orientation of the spindles.

All screws should have pilot holes pre-drilled to minimise risk of splitting.

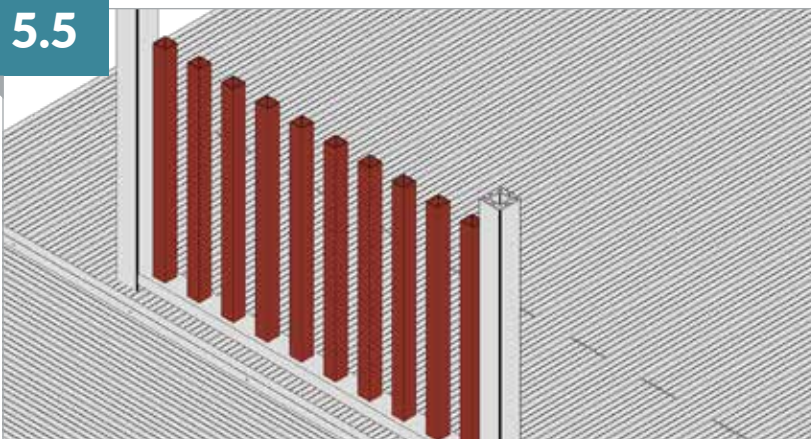
5.4



L-Bracket should be positioned to be flush with the end of the Handrail, and fixed - using a good quality 3.5 x 25mm exterior grade screw.

Repeat L-bracket installation to each end of the top Handrail.

5.5

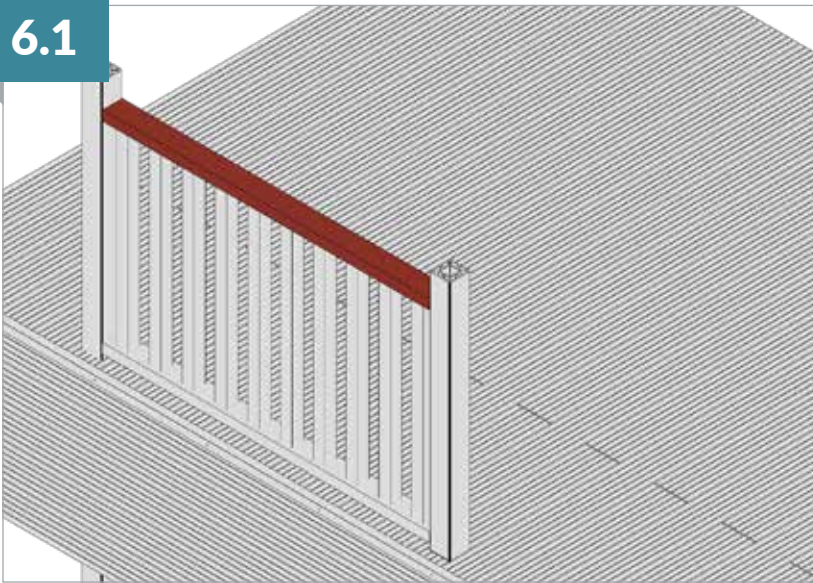


Push spindles onto the lower Spindle Inserts.

This may require the use of a non-marking mallet, to ensure the Spindle Inserts are fully inserted into the Spindles.

6. FIX TOP HANDRAIL

6.1



Finally, a Post Cap can be fitted to each Newel - simply push the block on the lower portion of the Post Cap into the top of the recess in the Newel.

Repeat Steps 1-6 for each section, until balustrade is complete.

Full product range



Deeplas Roofline



Coastline Lightweight Composite Cladding



Skypod Lantern Roofs



Deeplas Composite Fencing



Twinson Premium Cladding



Internal Wall and Ceiling Panels



Twinson Decking



Roomline PVC-U Skirting



Deeplas Embossed Cladding



Slateskin GRP Sheet Tile System



Deeplas Window Boards



Rainwater



Shower Panels



Garden Buildings

Customer service

If you need any assistance, please call the Customer Services team on the following number or visit deeplas.co.uk



0800 988 7307